
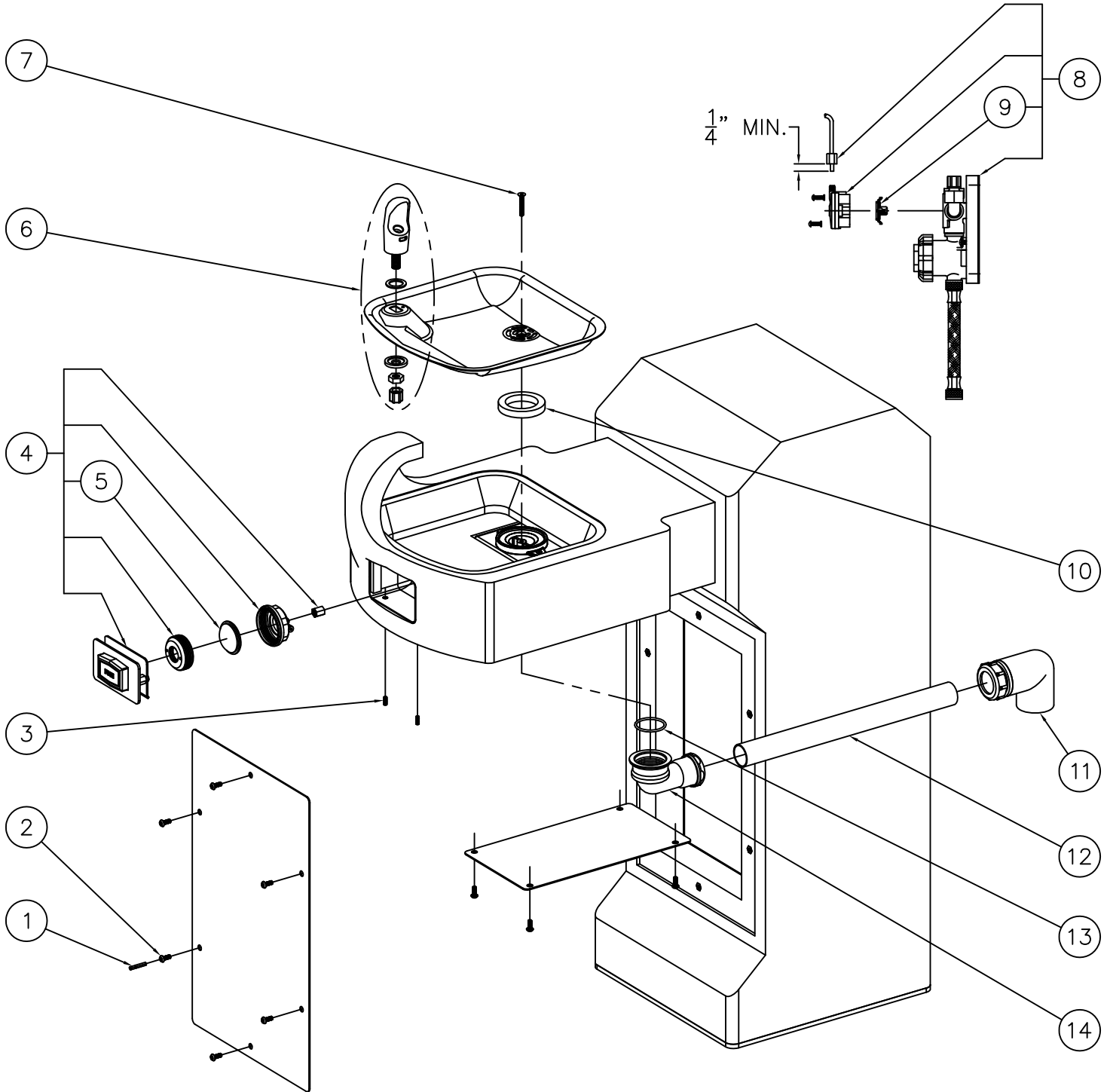


INSTALLATION INSTRUCTIONS:

- A- PROVIDE 30" SQUARE MINIMUM x 6" DEEP MINIMUM CONCRETE SLAB BY OTHERS TO SECURELY ANCHOR FIXTURE. INSTALL THE FOUR PROVIDED CONCRETE ANCHORS (1) AT DIMENSIONS SHOWN TO MATCH HOLES (2) IN FIXTURE BASE.
- B- ROUGH-IN WASTE OUTLET (3) AT DIMENSION SHOWN FOR 1-1/4" PVC PIPE SIZE OR USE THE COMPRESSION ADAPTER PROVIDED LOOSE FOR 1-1/4" OUTER DIAMETER TUBE.
- C- ROUGH-IN WATER SUPPLY (4) WITHIN THE BOTTOM OPENING FOR CONNECTION TO VALVE (4) USING SUPPLIED 6" LONG FLEX HOSE WITH 1/2" NPS FEMALE END WHICH WILL ACCOMODATE 1/2" NPT MALE ADAPTER.
- D- CAREFULLY REMOVE THE FIXTURE AND COMPONENTS FROM THE PACKAGING PREVENTING SCRATCHING AND DAMAGE.
- E- REMOVE FRONT ACCESS PANEL (5) FROM FIXTURE PEDESTAL (6) AND BOTTOM ACCESS PANEL (7) FROM CANTILEVER (8). ENSURE PUSHBUTTON (9), WASTE PIPING (10), AND BUBBLER (11) ARE SECURE AND CHECK ALL THE TUBING CONNECTIONS TO MAKE SURE THEY DID NOT COME LOOSE IN SHIPMENT.

- F- SET PEDESTAL (6) IN PLACE ALIGNING BASE HOLES (2) WITH THE INSTALLED ANCHORS (1) AND SECURE WITH THE 1/2" UNC HARDWARE (12) PROVIDED.
- G- INSTALL AIR-CONTROL VALVE WITHIN PEDESTAL USING THE HARDWARE PROVIDED. CONNECT 1/4" O.D. TUBING COMING FROM 1/4 TURN VALVE AND 1/8" O.D. TUBING FROM PUSH-BUTTON TO VALVE. NOTE: ONLY HANDTIGHTEN FERRULE NUTS.
- H- MAKE-UP WASTE CONNECTION TO THE WASTE PIPING (10).
- I- FLUSH WATER SUPPLY (4) BY OTHERS OF ALL DEBRIS PRIOR TO CONNECTING TO VALVE.
- J- CONNECT WATER SUPPLY (4) BY OTHERS TO VALVE USING SUPPLIED 1/2" NPS FLEX HOSE.
- K- TEST OPERATION OF BUBBLER BY DEPRESSING BUTTON (9). ADJUST FLOW RATE AS REQUIRED USING IN-LINE 1/4 TURN VALVE. CHECK ALL CONNECTIONS AND WASTE PIPING FOR LEAKS. CORRECT IF PRESENT.
- L- RE-INSTALL FRONT ACCESS PANEL (5) AND BOTTOM ACCESS PANEL (7).

 <p>MURDOCK-SUPER SECUR P.O. Box 3527 Industry, CA 91744 15125 Proctor Ave Industry, CA 91746 Phone: (800) 591-9880 www.murdock-supersecur.com</p>	TITLE SQUARE OUTDOOR STONE PEDESTAL ADA DRINKING FOUNTAIN		
	MANUFACTURE DATE OCTOBER 2005 TO PRESENT	DATE ISSUED 09/27/05	DRAWING NUMBER 9938-220-001
	DATE REVISED 04/01/16		



1	0296-025-199	CENTER REJECT HEX DRIVER BIT	8	2590-610-001	S/T NON-METERING AIR-CONTROL VALVE
2	0112-002-000	CENTER REJECT ALLEN BUTTON HD SCREW	9	2563-010-001	WATER DIAPHRAGM ASSEMBLY
3	0186-008-000	8-32 x 1/2" LONG SET SCREW	10	7000-006-000	FLAT DRAIN ADAPTER GASKET
4	6154-035-002	STONE CANTILEVER PUSHBUTTON ASSEMBLY	11	7002-013-001	1-1/4" O.D. ELBOW / COMPRESSION ASSY
5	2566-001-000	PUSHBUTTON DIAPHRAGM	12	7000-111-199	1-1/4" O.D. x 14" LONG DRAIN TUBE
6	7000-012-001	STAINLESS STEEL BUBBLER	13	0401-128-000	O-RING
7	0152-040-000	ALLEN FLAT HEAD SCREW	14	7000-017-001	ELBOW ASSEMBLY

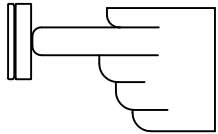


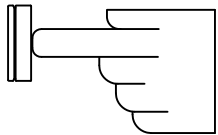

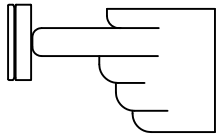

ITEM	PART NUMBER	DESCRIPTION	ITEM	PART NUMBER	DESCRIPTION
		MURDOCK-SUPER SECUR TITLE SQUARE OUTDOOR STONE PEDESTAL ADA DRINKING FOUNTAIN			
P.O. Box 3527 Industry, CA 91744 15125 Proctor Ave Industry, CA 91746 Phone: (800) 591-9880 www.murdock-supersecur.com		MANUFACTURE DATE JANUARY 2006 TO PRESENT		DATE ISSUED 05/08/07 DATE REVISED 04/01/16	
				DRAWING NUMBER 9938-220-500	



**PUSH PAD / PUSH BUTTON FRU FREEZE RESISTANT DRINKING FOUNTAINS
NON-METERING AIR-CONTROLLED VALVE - (DIRECT ACTING)**

CONDITION:

SOLUTION:

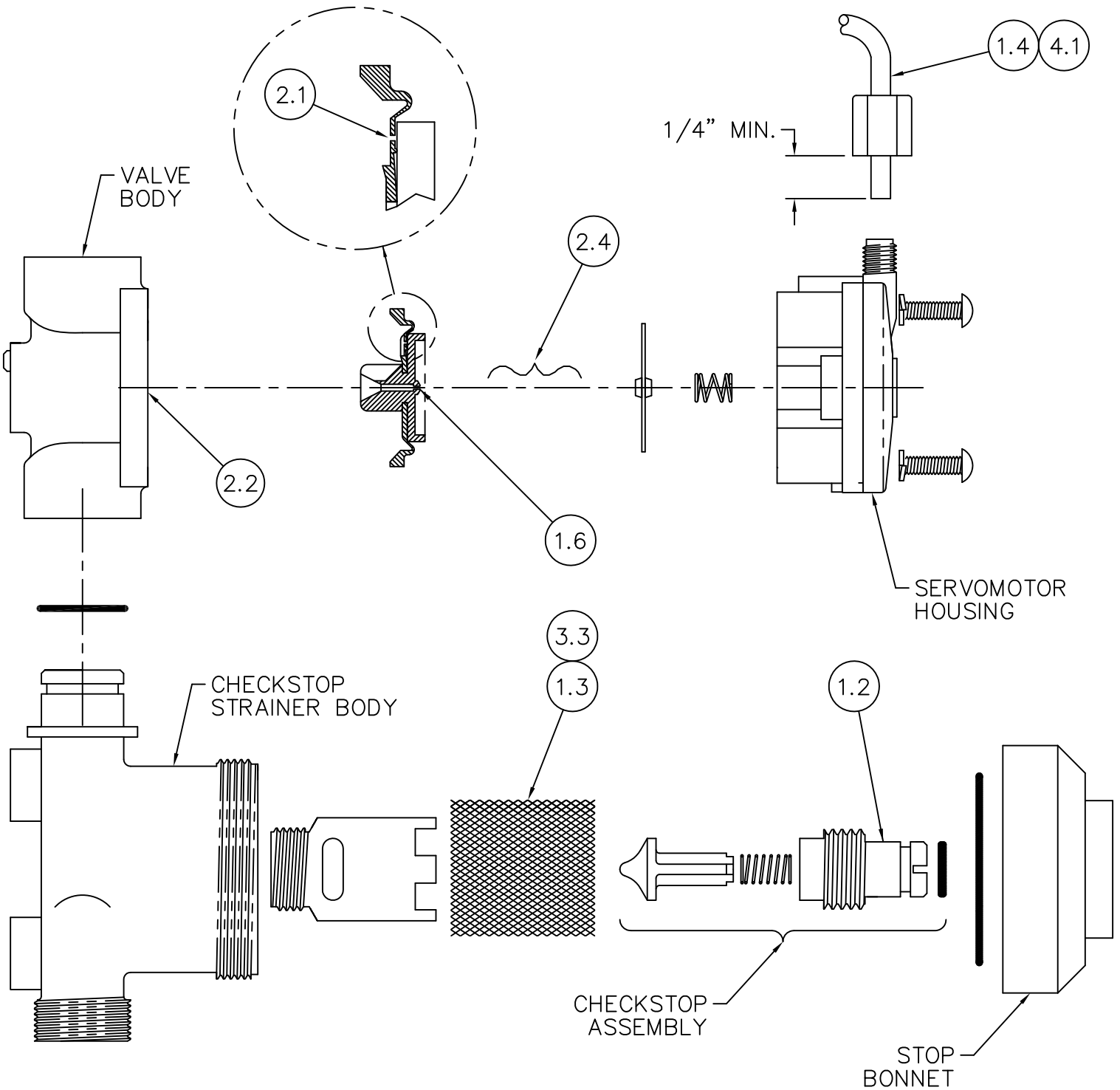
<p>NO WATER FLOW:</p>  	<ol style="list-style-type: none"> 1.1 Check water main supply – open. 1.2 Inspect checkstops – open. 1.3 Inspect checkstop strainer for debris – clean. 1.4 Check 1/8” O.D. tubing and fittings for leaks. 1.5 Check pushbutton air diaphragm for holes. 1.6 Check servomotor diaphragm center hole for blockage.
<p>WATER DRIPS / WILL NOT SHUT OFF:</p> 	<ol style="list-style-type: none"> 2.1 Check servomotor diaphragm offset hole for debris. 2.2 Check servomotor seat for build-up or damage. 2.3 Check servomotor seat o-ring for damage. 2.4 Check servomotor plate and diaphragm for obstruction.
<p>REDUCED WATER FLOW:</p>  	<ol style="list-style-type: none"> 3.1 Check water main supply for 20 psig minimum flow pressure. 3.2 Check valve riser tubing for crimping. 3.3 Inspect checkstop strainer for debris – clean. 3.4 Check valve flow control for blockage – clean. 3.5 Inspect bubbler for debris – clean.
<p>PREMATURE WATER SHUTOFF:</p>  	<ol style="list-style-type: none"> 4.1 Check 1/8” O.D. tubing and fittings for leaks. 4.2 Check pushbutton air diaphragm for holes.

Refer to Air-Controlled Valve Maintenance Detail on drawing # 9940-203-001 for -FRA_ Above Ground units and on drawing # 9940-204-001 for Stone & -FRU_ Below Ground units to locate solutions above.

	<p>MURDOCK-SUPER SECUR P.O. Box 3527 Industry, CA 91744 15125 Proctor Ave Industry, CA 91746 Phone: (800) 591-9880 www.murdock-supersecur.com</p>	<p>FRU FREEZE RESISTANT FOUNTAIN VALVE MAINTENANCE INSTRUCTIONS</p>		
<p>TITLE JANUARY 2006 TO PRESENT</p>		<p>MANUFACTURE DATE 10/20/05</p>	<p>DATE ISSUED 03/15/16</p>	<p>DRAWING NUMBER 9940-202-001</p>



**PUSH PAD / PUSH BUTTON BELOW GROUND FREEZE RESISTANT DRINKING FOUNTAINS
NON-METERING AIR-CONTROLLED VALVE - (DIRECT ACTING)**



CHECKSTOP STRAINER - SERVOMOTOR DETAIL

Refer to drawing #9940-202-001 for Valve Maintenance Instructions numbered solutions detailed above.

<p>MURDOCK-SUPER SECUR P.O. Box 3527 Industry, CA 91744 15125 Proctor Ave Industry, CA 91746 Phone: (800) 591-9880 www.murdock-supersecur.com</p>	<p>TITLE NON-METERING FRU AIR-CONTROLLED VALVE MAINTENANCE INSTRUCTIONS</p>		
	<p>MANUFACTURE DATE JANUARY 2006 TO PRESENT</p>	<p>DATE ISSUED 12/07/05</p> <p>DATE REVISED 03/15/16</p>	<p>DRAWING NUMBER 9940-204-001</p>