

Location: _____

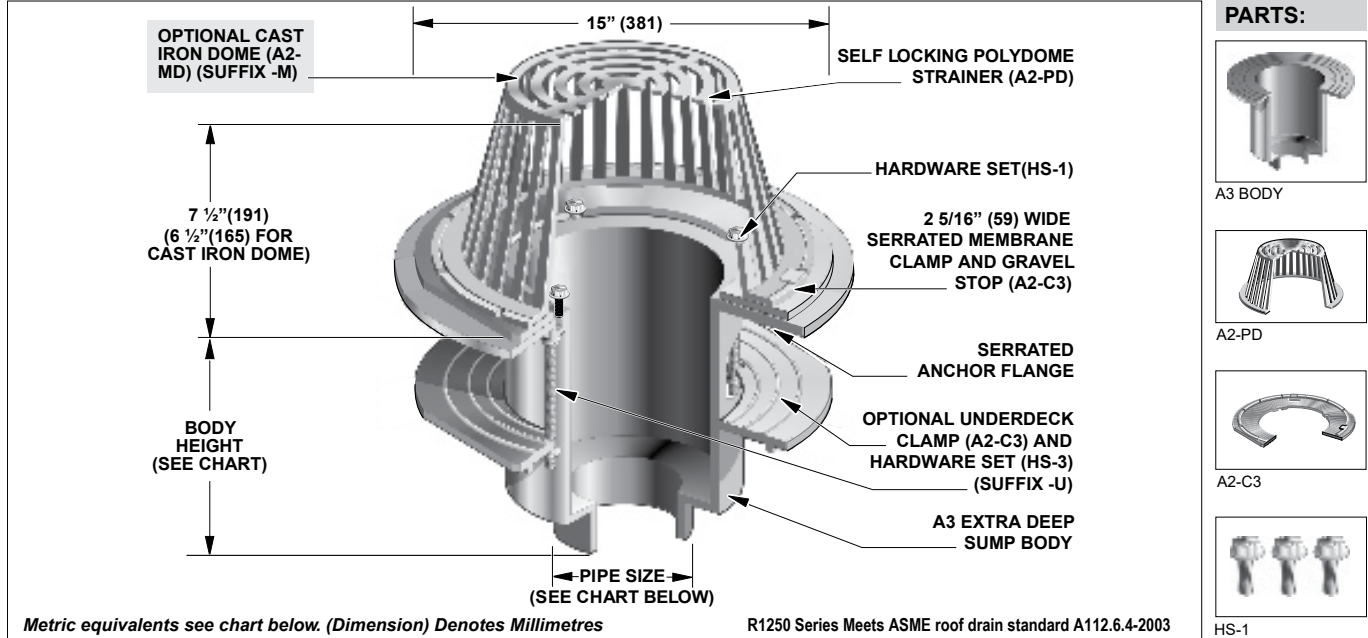


R1250

**EXTRA DEEP SUMP
HIGH FLOW ROOF DRAIN**

Specification: MIFAB® Series R1250 lacquered cast iron extra deep sump high flow roof drain with 15" diameter anchor flange, large cast iron waterproofing membrane clamp ring with integral gravel stop, and standard self-locking polyethylene dome strainer with a free area of 125 square inches.

Function: Used in any type of flat roofs. Extra deep sump body and large free area dome provides for high flow drainage of rainwater and prevents debris from entering the drain line. Extra wide anchor flange and membrane clamp with tongue in groove design provides for secure grip of membrane and roof flashing materials.



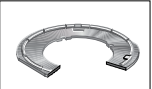
PARTS:



A3 BODY



A2-PD



A2-C3



HS-1

Metric equivalents see chart below. (Dimension) Denotes Millimetres

R1250 Series Meets ASME roof drain standard A112.6.4-2003

Note: Deck opening - 10" (254) with sump receiver - 15 3/4" (400)

PIPE SIZE	BODY HEIGHT				
	NO HUB (STANDARD)	PUSH ON (P)	THREADED (T)	INSIDE CAULK (X)	PVC (-30) / ABS (-31)
2" (51)	12 3/4" (324)	12 3/4" (324)	11 " 1/2 (292)	12" (305)	12 1/8" (308)
3" (76)	12 3/4" (324)	12 3/4" (324)	11 " 7/8 (302)	12" (305)	12 3/8" (314)
4" (102)	12 3/4" (324)	12 3/4" (324)	11 " 7/8 (302)	12" (305)	12 3/8" (314)
5" (127)	12" (305)	—	11 " 7/8 (302)	15 1/8" (384)	—
6" (152)	12" (305)	15 7/8" (403)	—	—	—

SUFFIX	OPTIONAL VARIATIONS
-6	Vandal proof dome (metal dome only)
-11	Acid resistant epoxy coating
-12	Galvanized metal dome
-12A	Galvanized body and membrane clamp
-12B	Galvanized metal dome and membrane clamp
-13	Galvanized body, membrane clamp and dome
-14	Flat grate (replaces dome strainer)
-30	PVC socket connection body
-31	ABS socket connection body
-81	Rough bronze dome
-83	Stainless steel mesh screen over metal dome
-90	Threaded side outlet (2",3",4")
-90-NH	No Hub side outlet (cast iron only) (2", 3", 4")
(Standard)	No hub outlet
-BA	Buy America Act compliant product
-E	Adjustable extension
-EG	Galvanized Adjustable extension
-F1, -F2, -F3	Accuflow (parabolic weir) specify
-G	Stainless steel ballast guard

SUFFIX	OPTIONAL VARIATIONS
-HC	Adjustable ballast guard with sec. clamp
-JC	S.S. ballast guard with secondary clamp
-M	Metal dome
-M-80	Low profile silhouette aluminum dome
P	Push on outlet
-PA	Pennsylvania Steel Act compliant product
-R	2" external water dam
-RG	RoofGuard non clogging cast iron dome
T	Threaded outlet (2",3",4")
-U	Underdeck clamp
-U3	Underdeck clamp with cutaway side Fixed
-V	Static Extension 2", 3", 4" Galvanized
-VG	fixed extension (2",3",4") Adjustable water dam
-W	dam
-W-1	Water proofing flange
-W6	6" diameter adjustable water dam Inside
X	caulk outlet (2",3",4")
-XJ	Vertical expansion joint (see R1900)
-Z	Extended wide elastomeric flange

CALIFORNIA PROPOSITION 65 WARNING. This product contains chemicals known to the State of California to cause cancer and birth defects or other reproductive harm.

Job Name: _____ Page No: _____
 Section No: _____ Contractor: _____
 Schedule No: _____ Purchase Order No: _____