

SPECIFICATION:

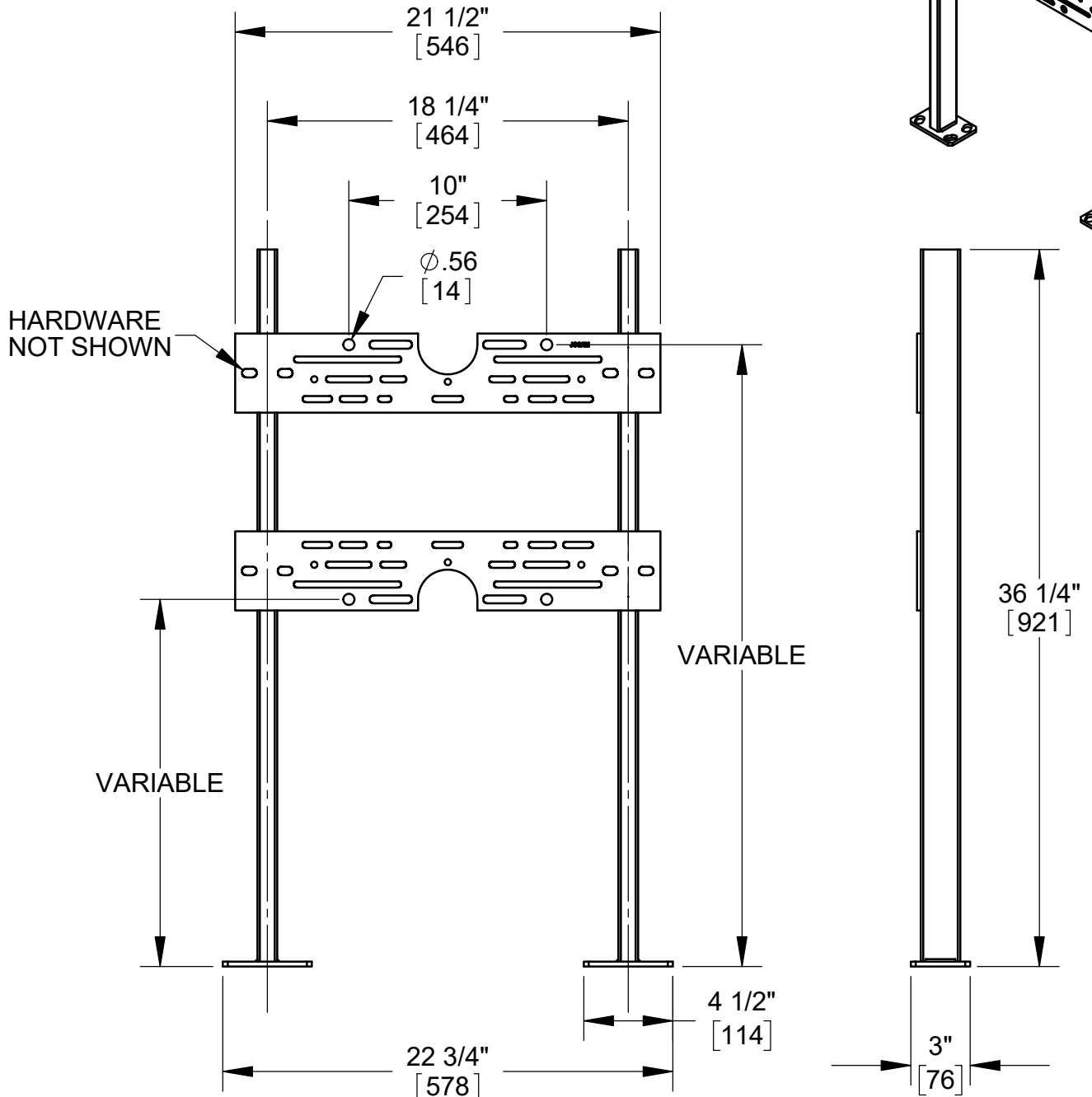
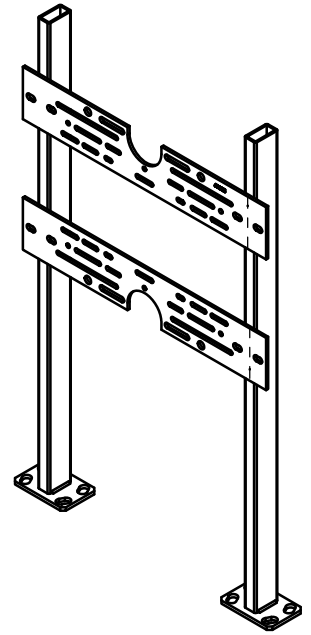
JOSAM SERIES 17560 FLOOR MOUNTED FIXTURE CARRIER WITH HANGER AND BEARING PLATES, ADJUSTABLE SUPPORTING RODS, STRUCTURAL UPRIGHTS, AND WELDED FEET.

**FIXTURE CARRIER
SPECIAL**

SERIES **17560-M1527**

DESIGNED FOR
WILLOUGHBY UW-1412
STRADDLE URINALS

JOSAM RECOMMENDS - FEET BE SECURED TO FLOOR
WITH 1/2" BOLTS AND ANCHORS BY OTHERS



WARNING: Cancer and Reproductive Harm - www.P65Warnings.ca.gov

DATE OF LAST CHANGE: 06/08/18

DIMENSIONS ARE SUBJECT TO MANUFACTURERS TOLERANCES AND CHANGE WITHOUT NOTICE. WE CAN ASSUME NO RESPONSIBILITY FOR USE OF SUPERSEDED OR VOID DATA.

JOSAM
MICHIGAN CITY, INDIANA

NOTES