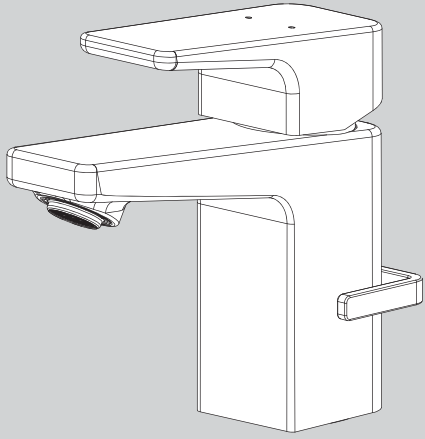


INSTRUCTIONS FOR MODELS

SB-2401



NEED HELP?

For additional assistance or service please contact:

SPEAKMAN® Company
400 Anchor Mill Road
New Castle, DE 19720

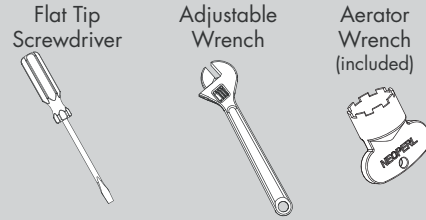
800-537-2107

customerservice@speakman.com

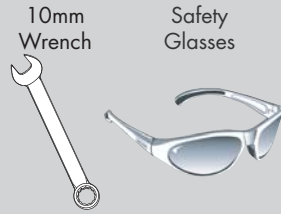
www.speakman.com

92-SB-2401-01

TOOLS AND SUPPLIES



HELPFUL TOOLS & SUPPLIES:



IMPORTANT

- Do not over-tighten any connections or damage may occur.
- Be sure to read instructions thoroughly before beginning installation.
- This faucet has an operating range of 20-80 psi.

SAFETY TIPS

Cover your drain to prevent loss of parts. Be sure to wear eye protection while cutting pipe.

MAINTENANCE

Your new Speakman Product is designed for years of trouble-free performance. Keep it looking new by cleaning it periodically with a soft cloth. The use of harsh chemicals and abrasives may damage the finish and void the product warranty. Please be sure to only use approved cleaners. Please contact Speakman for any clarification of acceptable cleaners.

WARRANTY

Additional warranty information can be found at: www.speakman.com

1 Make sure Rubber Gasket is inserted properly in Faucet groove. If not, place Rubber Gasket over Hoses and align to base of Faucet.

2 Place Hoses, one at a time, through hole in mounting surface. Lower Faucet into position.

NOTE: If installing optional Deck Plate, slip the Hoses through the Deck Plate. Then place Hoses, one at a time, through hole in mounting surface. Lower Faucet into position. Ensure a proper seal with the Rubber Gasket to the mounting surface. Make sure the Deck Plate is properly aligned to the Faucet.

3 From below, install Rubber Washer (1), Metal Washer (2), and secure with Mounting Nuts (3). Align Faucet to desired position and wrench tighten Mounting Nuts (3).

OR **OR**

4 Make connections to water supplies. The inlet threads of the faucet are 9/16"-24 UNEF and will accept a 3/8" Compression Fitting. Wrench Tighten.

Accepts a 3/8" Compression Fitting

SUPPLY STOPS NOT INCLUDED

5 Remove Stopper (1), Flange Nut (2), and Flange Washer (3) from Drain Assembly.

6 From beneath, insert Drain Assembly through drain hole in sink. Attach supplied Flange Washer (1) or plumber's putty to the underside of the Flange (2). Secure Flange (2) to the Drain Assembly. Align the Drain Assembly as shown below.

Align towards faucet.

7 From beneath, secure Rubber Washer (1), Plastic Washer (2), and Mounting Nut (3). Wrench tighten.

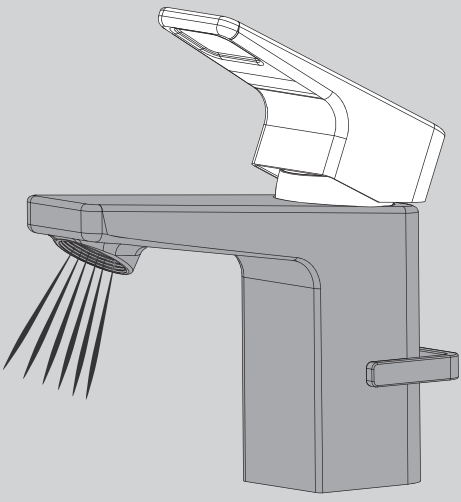
8 Remove Pivot Nut (1), from Drain Assembly. Install Outer Pivot Washer (2), and Pivot Rod (3). Ensure that Inner Pivot Washer (4) is retained in Drain Assembly. Insert Pivot Rod into Drain Assembly and install Stopper (5) as non-removable. Secure Pivot Rod to Drain Assembly by tightening Pivot Nut (1).

9 Place one end of Spring Clip (1), on Pivot Rod (2). Insert Pivot Rod (2) through a hole in the Lift Rod Strap (3). Secure with Spring Clip (1).

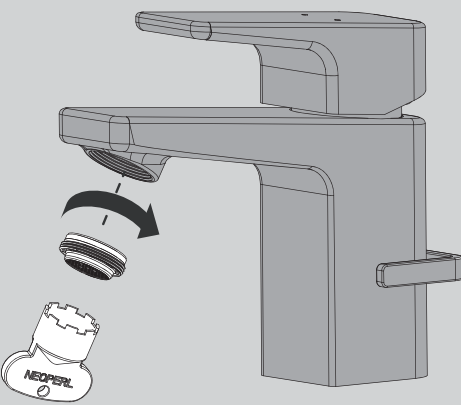
10 Place Drain into the open position by pressing downward on the Pivot Rod (1). Insert Lift Rod (2) into Strap (3). Adjust height of Lift Rod (2), and tighten Thumb Screw (4).

11 Additional adjustments can be made to ensure a proper seal between the Drain Stopper (1) and Drain Assembly. Remove Pivot Nut (2), from Drain Assembly. Slide out Pivot Rod Assembly (3). Remove Drain Stopper (1). Additional adjustments can be made by either threading in or out the eyelet portion of the Drain Stopper (1).

12 Turn on water supplies. Activate faucet and flush both HOT and COLD water for 1 minute.

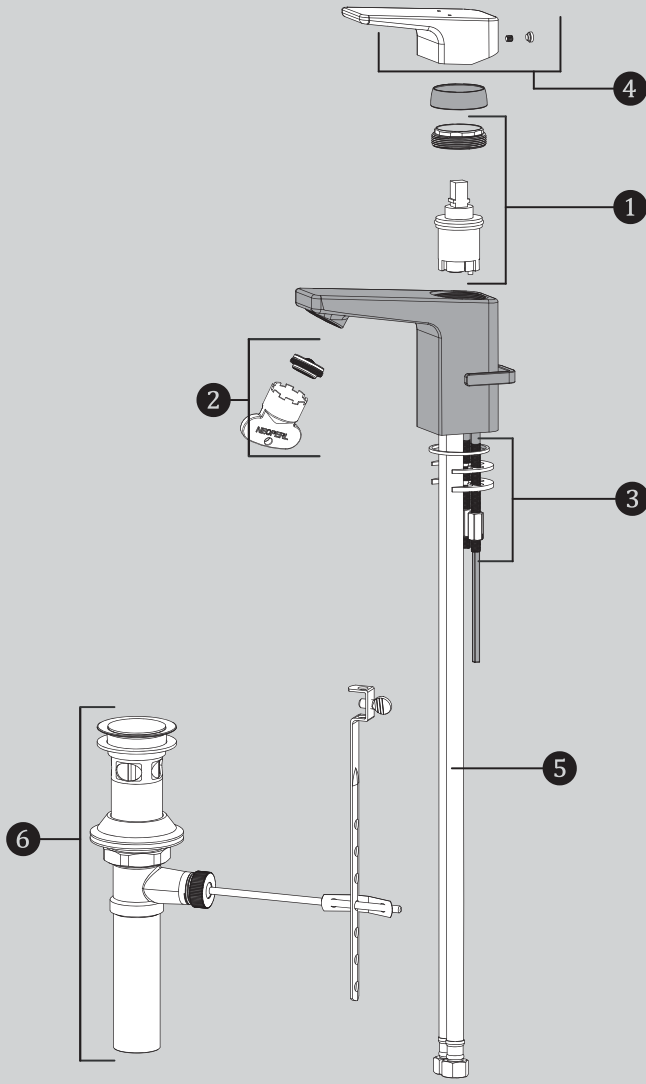


13 Turn OFF faucet and install Aerator. Secure with included Aerator Wrench. Do not over-tighten.



SB-2401 REPAIR PARTS

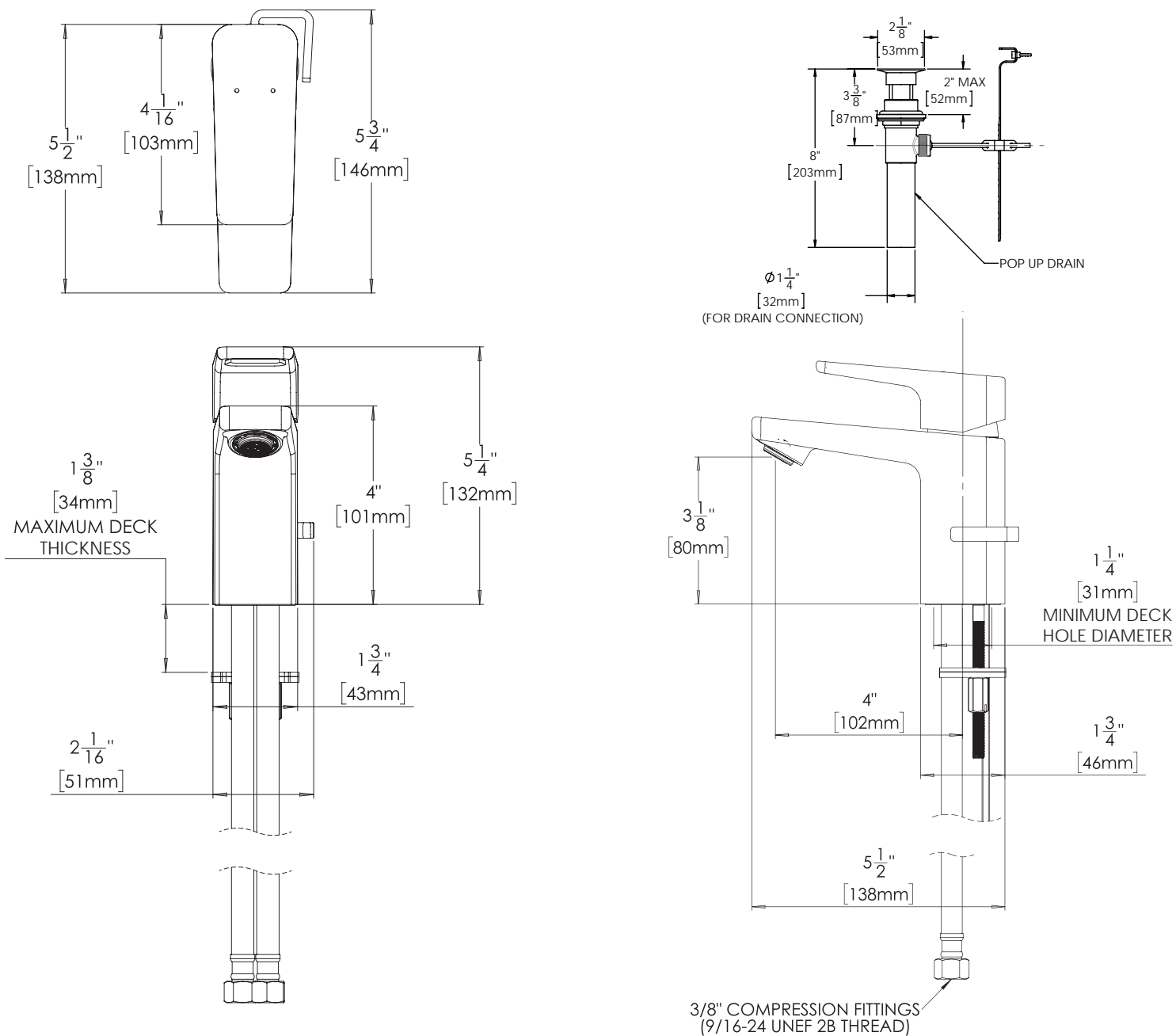
SPEAKMAN®



ITEM NO.	PART NO.	DESCRIPTION
1	RPG05-1112	CARTRIDGE AND RETAINING NUT
2	RPG05-1113	1.2 GPM SLIM AERATOR WITH KEY
3	RPG05-1114	MOUNTING HARDWARE GROUP
4	RPG04-0444-XX (* XX = FINISH)	LEVER HANDLE, SET-SCREW, AND INDEX BUTTON
5	RPG63-0102	20" LONG HOSE (2 PCS) (OUTLET THREAD - 9/16" - 24 UNEF 2B THREAD)
6	RPG24-0134	DRAIN ASSEMBLY PLUS MOUNTING HARDWARE

SB-2401 ROUGH-IN DIAGRAM

SPEAKMAN®



ALL DIMENSIONS ARE IN INCHES (MILLIMETERS) UNLESS OTHERWISE SPECIFIED. DIMENSIONS SUBJECT TO CHANGE WITHOUT NOTICE.