

## TUB BOXES



Right-Tite® II Tub Box  
P-3000



Plastic Tub Boxes by Benjamin  
1313

Part Number	Description	MSTR CTN QTY
<b>Tub Boxes</b>		
P-3000	14-7/8" x 14-7/8" x 7" Deep	5 pairs
<b>Plastic Tub Box by Benjamin Mfg.</b>		
1313	13" x 13" x 7" Deep	12
1410	12" x 8" x 6" Deep	36

### DESIGN FEATURES

#### TUB BOXES

- Patented, improved closure makes assembly a snap
- More pipe knockouts - 10 total, compatible with 1-1/2" and 2" pipe
- Angled corner increases versatility
- Zip ties included for rebar anchoring
- High-impact injection molded plastic
- Use in concrete slabs, wood floors and multi-story flooring
- Master cartons consist of 5 pairs - 10 total tub boxes

#### PLASTIC TUB BOXES BY BENJAMIN MFG.

- Will not fall apart when exposed to rain or water
- Easily cut with utility knife for openings
- Rodent proof
- Can be used individually or in pairs

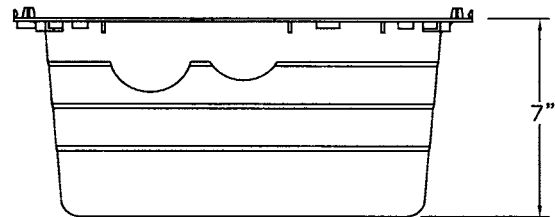
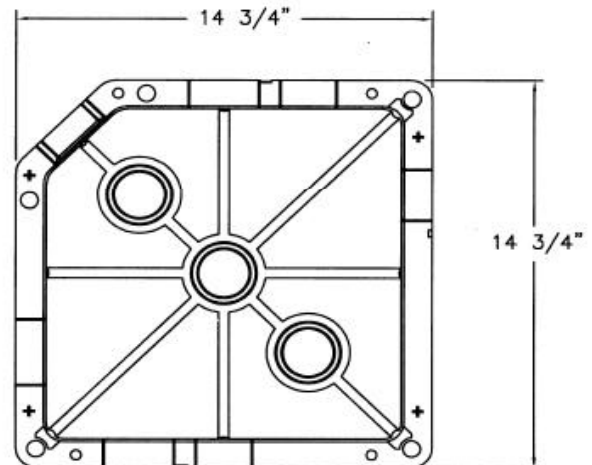
#### MATERIAL SPECIFICATIONS

- Durable high impact plastic
- 6" zip ties
- Patent # 444,572

#### COMPLIANCES/LISTINGS

- IAPMO Certified File # 0901

### DIMENSIONS



Product Submittal	
Job Name:	Date:
Part Number:	Quantity:
Architect:	
Contractor:	

Content matter is subject to change at any time. It is the user's responsibility to ensure the most updated revisions are obtained. Rev 2 2/2021