



Z1222 Universal Installation Sheet

Dimensional Data (inches and [mm]) are Subject to Manufacturing Tolerances and Change Without Notice

FIX. NAME	FIX. NO.	A	B	C	D	E	G	DETAIL
AMERICAN STANDARD								
WASHBROOK	6501.010	14 3/4 [375]	40 1/4 [1022]	24 [610]	13 1/2 [343]	1 3/16 [30]	7 [179]	1
	6506.011	14 3/4 [375]	40 1/4 [1022]	24 [610]	13 1/2 [343]	1 3/16 [30]	7 [179]	1
	6515.125	14 3/4 [375]	39 1/2 [1003]	24 [610]	13 1/2 [343]	1 3/16 [30]	7 [179]	1
	6590.125	14 3/4 [375]	39 1/2 [1003]	24 [610]	13 1/2 [343]	1 3/16 [30]	7 [179]	1
	6590.525	14 3/4 [375]	39 1/2 [1003]	24 [610]	13 1/2 [343]	1 3/16 [30]	7 [179]	1
ALLBROOK	6541.132	9 3/4 [248]	31 3/4 [806]	24 [610]	1 3/16 [30]	19/32 [15]	7 [179]	3
TRIMBROOK	6561.017	16 3/4 [425]	38 3/8 [975]	24 [610]	11 [279]	1 3/16 [30]	7 [179]	1
ELJER								
CORRECTO	161-1030	14 3/4 [375]	40 1/8 [1019]	24 [610]	12 [305]	1 [25]	7 [179]	1
	161-1045	14 3/4 [375]	40 1/8 [1019]	24 [610]	2 [305]	1 [25]	7 [179]	1
	161-1060	14 3/4 [375]	40 1/8 [1019]	24 [610]	12 [305]	1 [25]	7 [179]	1
	161-1075	14 3/4 [375]	40 1/8 [1019]	24 [610]	12 [305]	1 [25]	7 [179]	1
SAVON	161-1090	12 3/4 [324]	36 1/2 [927]	24 [610]	11 [279]	1 [25]	7 [179]	1
	161-1095	12 3/4 [324]	36 1/2 [927]	24 [610]	11 [279]	1 [25]	7 [179]	1
DOVER	161-1160	8 3/4 [222]	33 1/8 [841]	24 [610]	6 [152]	1 [25]	6 [152]	1
BEDFORDSHIRE	161-1190	15 1/8 [384]	32 1/8 [816]	24 [610]	6 [152]	1 [25]	6 [152]	1
SIGNATURE	161-2090	12 3/4 [324]	36 1/2 [927]	24 [610]	11 [279]	1 [25]	6 [152]	1
	161-2095	12 3/4 [324]	36 1/2 [927]	24 [610]	11 [279]	1 [25]	6 [152]	1
KOHLER								
BARDON	K-4904-ET	12 1/2 [318]	41 1/4 [1048]	24 [610]	12 [305]	1 [25]	7 [179]	1
BARDON	K-4960	12 1/2 [318]	41 1/4 [1048]	24 [610]	12 [305]	1 [25]	7 [179]	1
FRESHMAN	K4989-T	12 1/2 [318]	36 1/4 [921]	24 [610]	10 [254]	1 [25]	7 [179]	1
ZURN								
URINAL	Z5730	11 [279]	31 3/4 [806]	24 [610]	1 [25]	1/2 [13]	10 [254]	3
SMALL PINT	Z5738	11 [279]	32 [813]	24 [610]	1 [25]	1/2 [13]	10 [254]	3
URINAL*	Z5740	11 [279]	31 3/4 [806]	24 [610]	1 [25]	1/2 [13]	10 [254]	3
URINAL*	Z5750	15 3/4 [400]	38 3/4 [984]	24 [610]	14 [356]	1 [25]	13 1/2 [343]	1
RETRO PINT	Z5758	16 [406]	41 1/8 [1046]	24 [610]	14 [356]	1 [25]	13 1/2 [343]	1
RETRO PINT	Z5759	16 [406]	41 1/8 [1046]	24 [610]	14 [356]	1 [25]	13 1/2 [343]	1
URINAL*	Z5760	15 3/4 [400]	38 3/4 [984]	24 [610]	14 [356]	1 [25]	13 1/2 [343]	1
WATERLESS*	Z5795	15 3/4 [400]	39 3/4 [1010]	24 [610]	14 [356]	1 [25]	13 1/2 [343]	1
SMALL WATERLESS*	Z5796	8 [203]	30 7/8 [784]	24 [610]	1 [25]	1/2 [13]	8 [203]	3
"THE PINT"	Z5798	15 3/4 [400]	38 3/4 [984]	24 [610]	14 [356]	1 [25]	13 1/2 [343]	1
"THE PINT"	Z5799	15 3/4 [400]	38 3/4 [984]	24 [610]	14 [356]	1 [25]	13 1/2 [343]	1

*Only use top two holes in hanger bracket to mount fixture

Form # C2

Date: 5/14/10

C.N. No. 111123

Rev. J

Page 1 of 2

ZURN INDUSTRIES, LLC. ♦ SPECIFICATION DRAINAGE OPERATION ♦ 1801 Pittsburgh Ave. ♦ Erie, PA 16514

Phone: 814/455-0921 ♦ Fax: 814/454-7929 ♦ World Wide Web: www.zurn.com

In Canada: ZURN INDUSTRIES LIMITED ♦ 3544 Nashua Drive ♦ Mississauga, Ontario L4V1L2 ♦ Phone: 905/405-8272 Fax: 905/405-1292

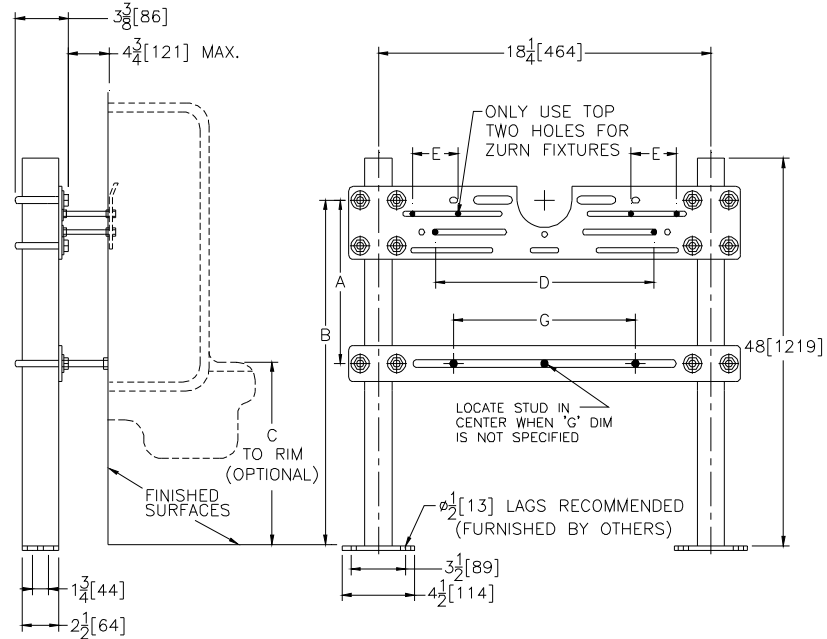


Z1222 Universal Installation Sheet

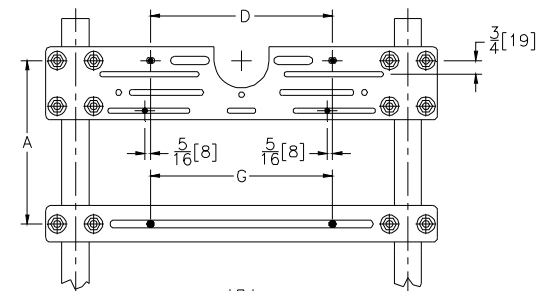
Dimensional Data (inches and [mm]) are Subject to Manufacturing Tolerances and Change Without Notice

PARTS LIST

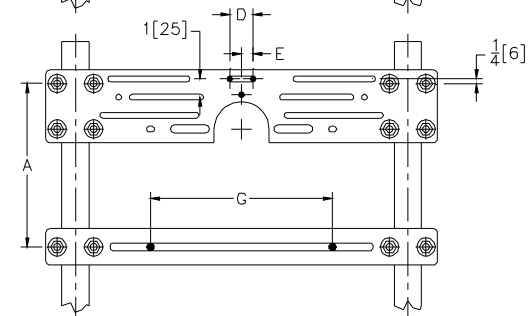
- (1) #222 HARDWARE BAG (66955-222)
 CONTAINS:
 (1) UNIVERSAL TOP PLATE
 55846-001
 (1) UNIVERSAL BEARING PLATE
 55845-001
 (1) #241 HARDWARE BAG
 66955-241



DETAIL 1



DETAIL 2



DETAIL 3