

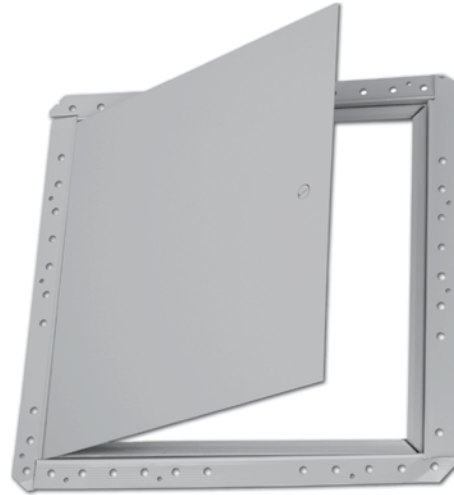
STANDARD FLUSH DOOR - DW

FOR DRYWALL CEILINGS OR WALLS

Milcor DW Access Doors provide critical service access in drywall ceilings or walls. Door style is flush with provision to conceal flange with drywall cement.

Specifications

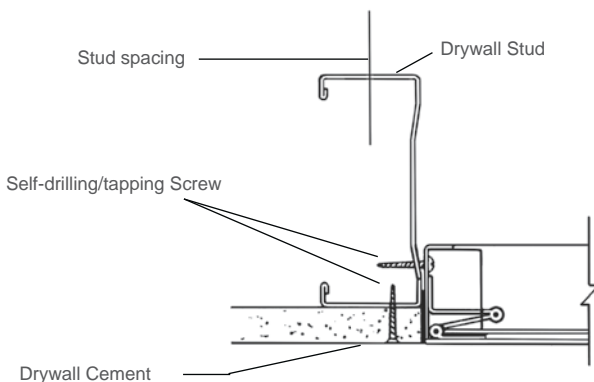
- **Material:** 16-gauge steel frame surrounded by a galvanized steel drywall bead. 14-gauge door panel
- **Finishes:** Available in Powder Coated Gray, Galvanized, or Stainless Steel
- **Hinge:** Concealed Spring Hinges mounted to frame to allow 175 degree opening for complete access. Extracting pin from hinge leaf attached to panel permits panel removal.
- **Lock:** Screwdriver operated cam latch or Cylinder Lock furnished with two keys. Other custom options available upon request.
- **Optional Colors:** Brilliant White, Gold Sand and Jet Black



Stud Spacing	Door Size*	Opening	Model No.	No. Cams	No. Hinges	Shipping Wt. Lbs.
	8" x 8"	8½" x 8½"	3203-008-9	1	1	4
12" OC	10" x 10"	10½" x 10½"	3203-010-9	1	1	5
	12" x 12"	12½" x 12½"	3203-012-9	1	1	6
16" OC	14" x 14"	14½" x 14½"	3203-014-9	1	2	9
	16" x 16"	16½" x 16½"	3203-016-9	1	2	10
	18" x 18"	18½" x 18½"	3203-017-9	1	2	12
24" OC	22" x 22"	22½" x 22½"	3203-018-9	4*	2	17
26" OC	24" x 24"	24½" x 24½"	3203-019-9	4*	2	19
	24" x 36"	24½" x 36½"	3203-036-9	5*	3	28

*One cam latch centered at top and bottom of panel; balance of cam locks on side opposite hinge.

Steel Stud Installation Detail



Wood Stud Installation Detail

