

## GR Series

### MODEL GRE24

BARRIER FREE, WALL MOUNTED, ANGLED, BI-LEVEL DRINKING FOUNTAIN

#### STANDARD FEATURES

- Both Child or Adult ADA Compliant (when properly installed)
- Optionally Available with "Hands Free" Controls
- 18 Gauge, 304 Stainless Steel Bowls
- 12 Gauge, Heavy Duty Stainless Steel Arm, Corrosion and Scratch Resistant Finish
- Heavy Duty Stainless Steel, Vandal Resistant Bottom Access Panels
- 1/4" Thick Stainless Steel Mounting Plate
- Pushbutton With Cartridge Valve Assembly
- Polished Stainless Steel, Anti-Rotation, Non-Squirt Bubbler
- Resistant to Sunlight, Heat, Moisture and Wear
- 100-Mesh Inlet Strainer

#### SUGGESTED SPECIFICATIONS

Wall Mounted Round Bi-Level Drinking Fountain shall be Murdock model GRE24. Drinking Fountain shall be 18 gauge, type 304 stainless steel bowls with a 12 gage, heavy duty stainless steel support arm. Provide 1/4" thick stainless steel mounting plate to securely anchor unit to wall. Access Panels shall be secured with vandal-resistant stainless steel screws. Unit shall be activated by a front mounted, self-closing Pushbutton with Cartridge Valve Assembly, using less than 5 pounds of force to activate with an adjustable stream regulator controlling the water flow. Bubbler shall be polished stainless steel with a Non-Squirt feature and operate on water pressure range of 20-105 PSIG. P-Trap shall be installer provided behind wall (Optional -PT P-Trap with access below fixture is available). Fountain to be compliant to ANSI A117.1, Public Law 111-380 (NO-LEAD), CHSC 116875 and NSF/ANSI 61, Section 9. Fixture to meet ADA, ADA Standing Person, and ADA Child requirements when mounted appropriately.

Option Notes:

<sup>1</sup>See separate option sheet

Complies with the following standards:



**NSF/ANSI 61**



Federal Public Law 111-380 (No Lead)



Model: GRE27-R Shown

**"FOR INDOOR AND OUTDOOR USE"**

#### MODEL: (Must Specify)

- GRE24 Satin Stainless Finish
- GRE25 Green Powder-Coated
- GRE26 Red Powder-Coated
- GRE27 Blue Powder-Coated (Shown)

Custom color finishes available upon request

#### ADA DRINKING FOUNTAIN ORIENTATION

(Must Specify)

- L ADA Drinking Fountain Left Side (Opposite)
- R ADA Drinking Fountain Right Side (Shown)

#### OPTIONS

(additional costs may be incurred)

- FRA2 Freeze Resistant Valve, Two Valves<sup>1</sup>
- LOGO Customer specified logo
- PIP Plug-In Power Supply 115VAC/9VDC Plug-In Transformer (-SOC option only)
- PT 1-1/4" OD P-Trap (Access Below Fixture)
- SOC Concealed Sensor Operation Drinking Fountains - Battery Operated Standard (N/A with -FRA2<sup>1</sup>)
- 316 Type 316 Stainless Steel Construction



Member of U.S. Green Building Council



Recyclable Product



Water Conserving Product

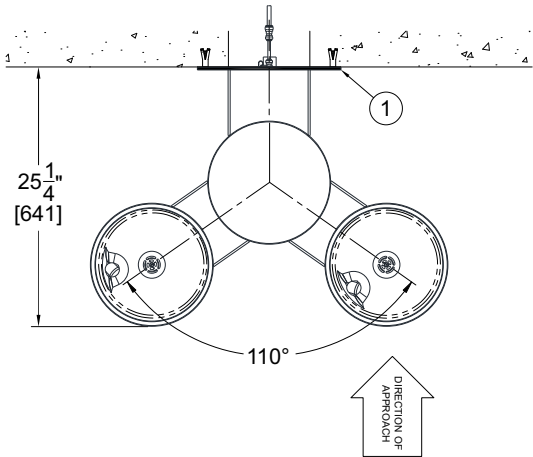
**WARNING:** Cancer and Reproductive Harm - [www.P65Warnings.ca.gov](http://www.P65Warnings.ca.gov)

\* Valve specifications:  
Minimum/Maximum  
Pressure 30 to 100 psi.

**GR Series**

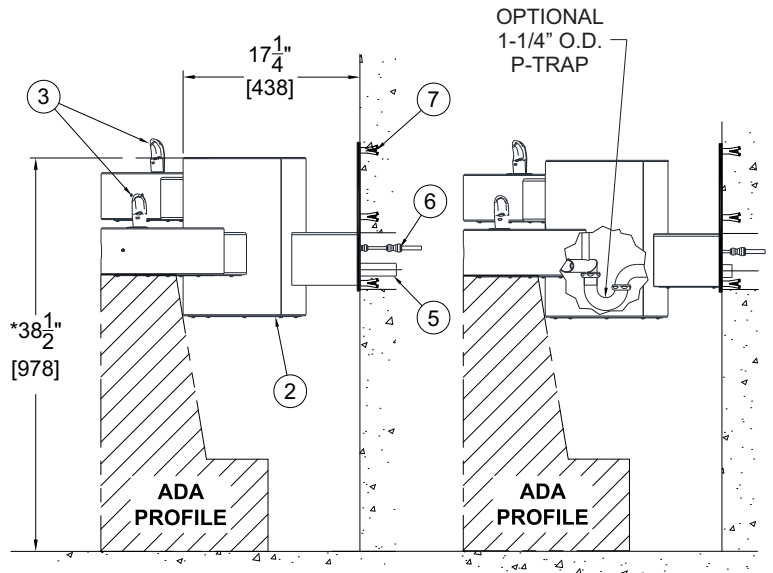
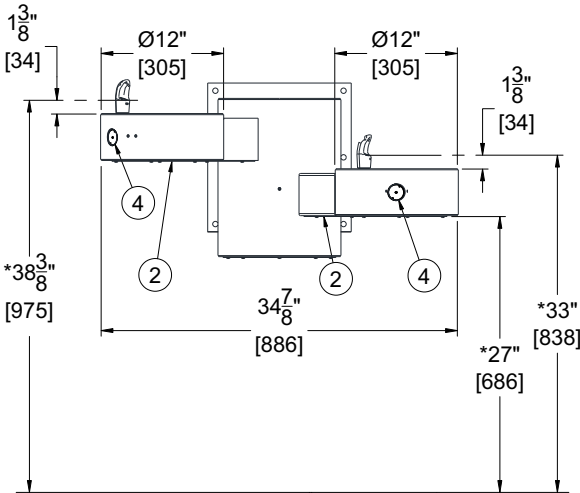
**MODEL GRE24**

**BARRIER FREE, WALL MOUNTED  
ANGLED BI-LEVEL DRINKING FOUNTAIN**



NOTES:

1. 1/4" THICK SS MOUNTING PLATE
2. REMOVABLE ACCESS PANELS
3. DRINKING BUBBLER
4. PUSHBUTTON WITH CARTRIDGE VALVE ASSEMBLY
5. 1-1/4" O.D. WASTE OUTLET FOR P-TRAP BEHIND WALL (STANDARD) P-TRAP PROVIDED BY OTHERS
6. 3/8" O.D. SUPPLY CONNECTION
7. INSTALLER PROVIDED WALL ANCHORS AND ANCHORING HARDWARE



**GRE24-R SHOWN**

GENERAL NOTES:

1. ALL DIMENSIONS ARE IN INCHES [MM].
- \*2. DIMENSIONS SHOWN ARE FOR RECOMMENDED ADULT HEIGHT. ADJUST VERTICAL DIMENSIONS AS NECESSARY TO COMPLY WITH FEDERAL, STATE, & LOCAL CODES.
3. STOP VALVE NOT PROVIDED.

**IMPORTANT:** Refer to installation instructions for complete rough-in and technical data.  
**NOTE:** Some options may change standard roughs.

Murdock Mfg.™ warrants that its products are free from defects in material or workmanship under normal use and service for a period of one year from date of shipment. Murdock's liability under this warranty shall be discharged solely by replacement or repair of defective material, provided Murdock™ is notified in writing within one year from date of shipment, F.O.B. Industry, California.

<b>SELECTION SUMMARY &amp; APPROVAL FOR MANUFACTURING</b>	Model Number & Options _____	Quantity _____	All dimensions are subject to manufactures tolerance of plus or minus 1/2" nominal and subject to change without notice. Murdock assumes no responsibility for use of void or superseded data. Dimensions may change with the addition of optional accessories. Murdock Mfg.™, Member of Morris Group International™. Please visit <a href="http://www.murdockmfg.com">www.murdockmfg.com</a> for most current specifications.
	Company _____		
	Contact _____	Title _____	
	Signature (Approval for Manufacturing) _____	Date _____	