

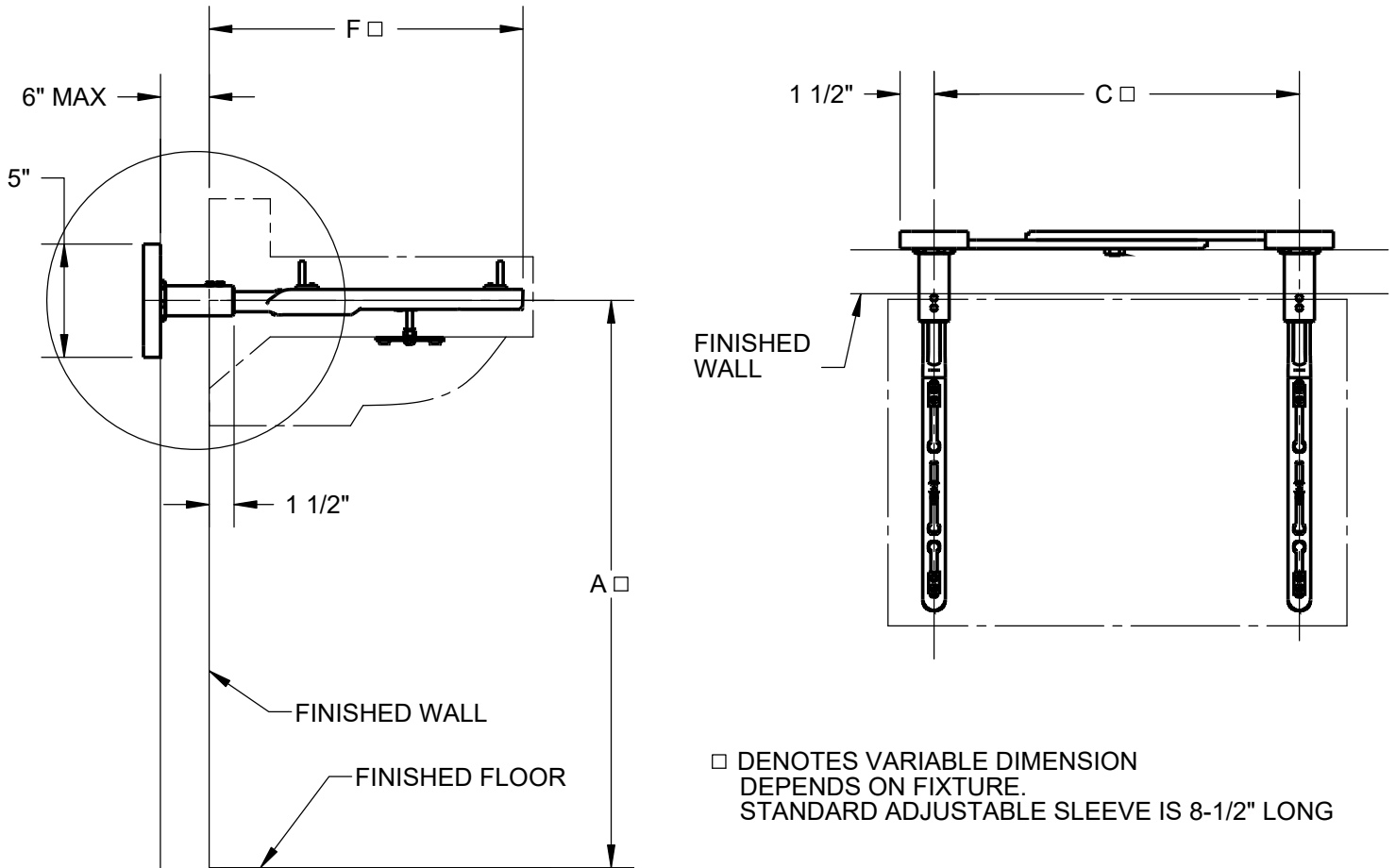
**SPECIFICATION:**

JOSAM 17120-10 SERIES WALL-MOUNTED, SINGLE LAVATORY CARRIER WITH CONCEALED ARMS, LEVELING AND SECURING SCREWS, AND ADJUSTABLE WALL PLATE.

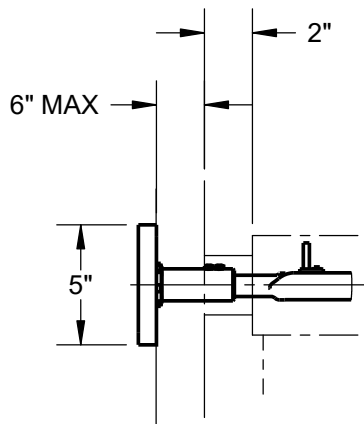
**LAVATORY CARRIER**

WALL-MOUNT  
CONCEALED ARM

SERIES **17120-10**



□ DENOTES VARIABLE DIMENSION  
DEPENDS ON FIXTURE.  
STANDARD ADJUSTABLE SLEEVE IS 8-1/2" LONG



-75 OPTION  
CHROME PLATED  
ESCUTCHEON

	-BP	WITH BACK PLATES
X	-10	EXTENSION SLEEVES LONGER THAN STANDARD (SPECIFY WALL THICKNESS)
	-75	2" CHROME PLATED ESCUTCHEONS
	-76	4" CHROME PLATED ESCUTCHEONS
	-77	6" CHROME PLATED ESCUTCHEONS

MANUFACTURER

NUMBER

SIZE

NAME

DIMENSIONS

A \_\_\_\_\_

C \_\_\_\_\_

F \_\_\_\_\_

RIM HEIGHT  
BASED ON DIM. "A" SHOWN

WARNING: Cancer and Reproductive Harm - www.P65Warnings.ca.gov

DATE OF LAST CHANGE: 06/18/08

DIMENSIONS ARE SUBJECT TO MANUFACTURERS TOLERANCES AND CHANGE WITHOUT NOTICE. WE CAN ASSUME NO RESPONSIBILITY FOR USE OF SUPERSEDED OR VOID DATA.



MICHIGAN CITY, INDIANA

NOTES