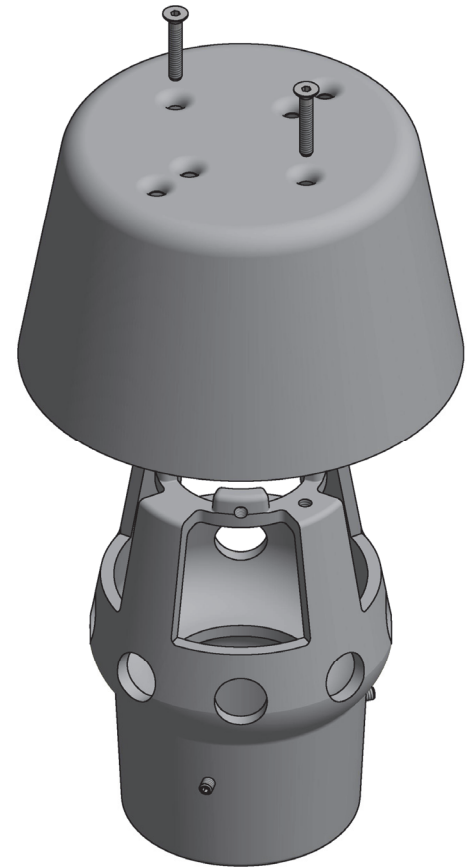
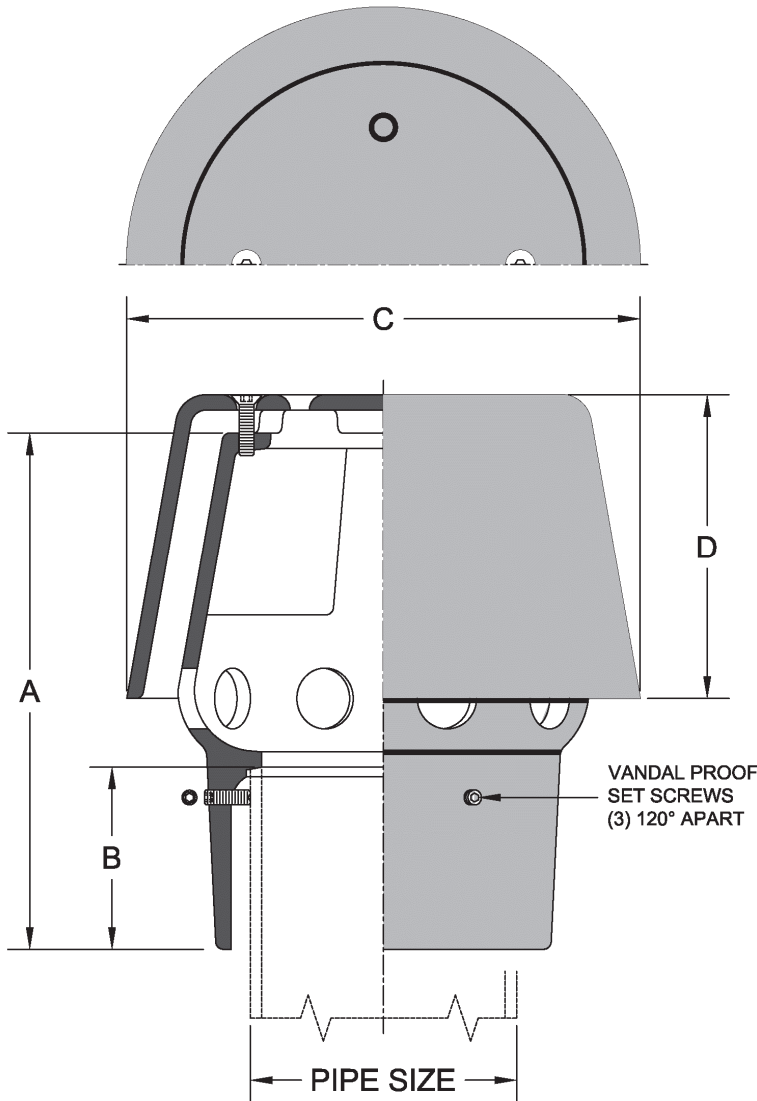


**3049 Vandal Resistant Emergency Overflow Drain**

Project	Engineer	Mechanical
---------	----------	------------



3049-3SJ

**Regularly Furnished:** Cast iron emergency overflow drain with dome cap, perforated sleeve and vandal resistant hardware.

Outlet Size	•	Free Area (Sq.In.)	Outlet Size	A	B	C	D	Suffix Options		
								Suffix	Description	•
2"		6.4	2"	7-5/8	2-1/2	8-7/16	5	-ARC	Acid Resistant Coating	
3"		7.5	3"	8-3/8	2-3/4	8-7/16	5	-39	Galvanized	
4"		8.5	4"	9-1/8	3	8-7/16	5			
5"		11.7	5"	6-3/16	3	8-7/16	5			
6"		13.4	6"	10	3	10-5/8	3			

Outlet Variations	
Type	Designation
Slip Joint	2SJ,3SJ,4SJ,5SJ,6SJ

*\*Dimensions vary from illustration*