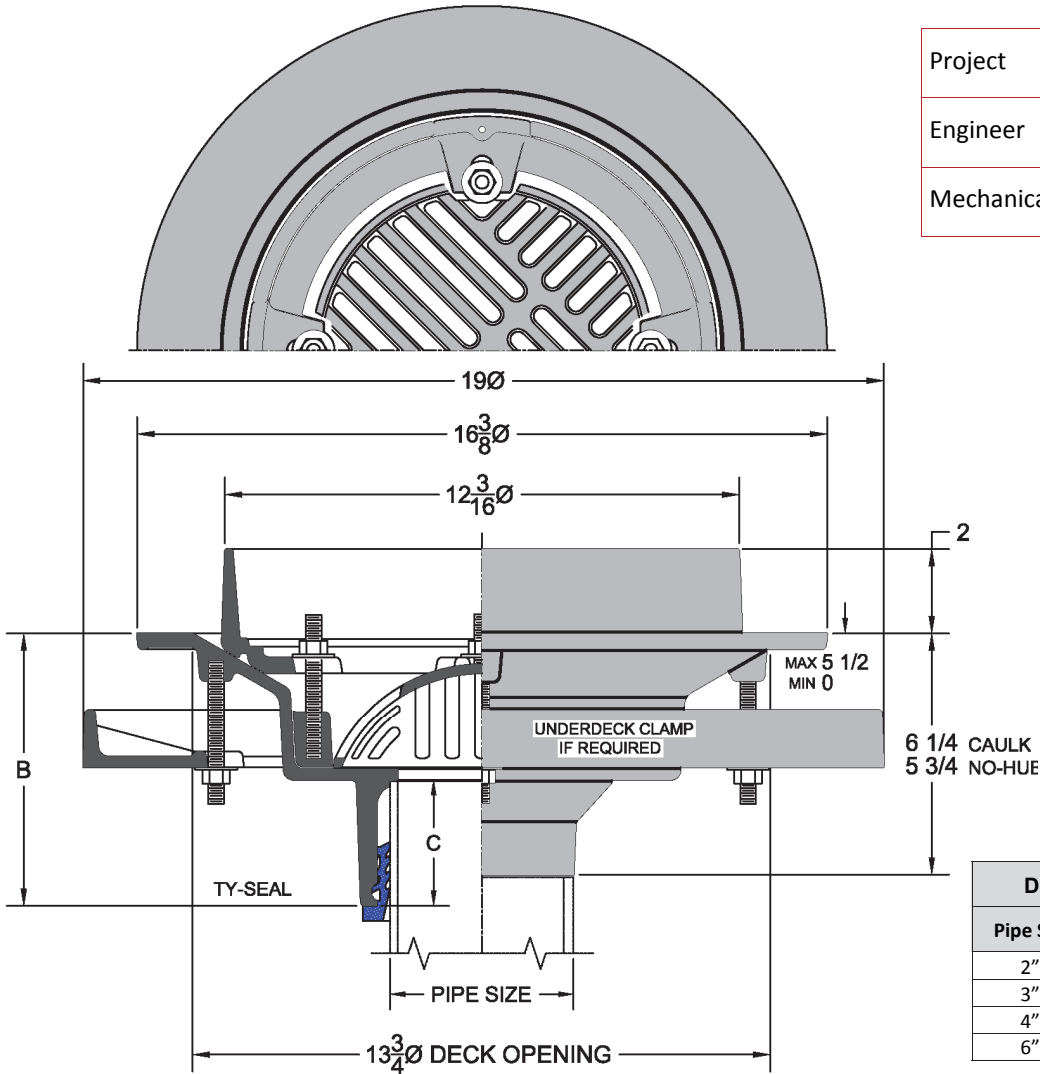


3061 16 3/8" Diameter Roof Receptor Drain

Project	
Engineer	
Mechanical	



Dimensions (In.)		
Pipe Size	B	C
2"	6 3/8	2 1/2
3"	6 5/8	2 3/4
4"	6 7/8	3
6"	6 3/8	3

3061	-46 Cast Iron Body with Aluminum Dome	Dome Free Area (Sq.In.)
•		43.0

Regularly Furnished: Cast iron indirect waste drain with flange, 2" high dam & internal dome strainer.

Suffix Options		
Suffix	Description	•
-ARC	Acid Resistant Coating	
-SO	90 Degree Side Outlet (3NH,4NH,6NH) *	
-39	Galvanized Cast Iron	
-52	Sump Receiver*	
-53	Under-Deck Clamp*	
-189	Bearing Pan w/ Clips & Securing Hardware*	

Outlet Variations		
Type	Designation	•
Inside Caulk	2IC,3IC,4IC,5IC,6IC	
No-Hub	2NH,3NH,4NH,6NH,8NH	
Push On Gasket	2TY,3TY,4TY,6TY,6TX(PVC)	
Threaded	2IPS,3IPS,4IPS,5IPS,6IPS,8IPS	

Optional Extensions			
Suffix	Description		•
-ADF	Adjustable Extension*	Painted	
		-39 Galv	
-AE	Adjustable Deck Riser*	Painted	
		-39 Galv	
-DF	Fixed Extension (1",2",3" or 4") *	Painted	
		-39 Galv	
-EB	Adjustable Drain Extension Pan*		

*Dimensions vary from illustration