

SPECIFICATION:

JOSAM 49580A-LF SERIES ROUND CAST IRON 8" DEEP SUPER-FLO-SEPTOR® FLOOR SINK WITH ACID RESISTING INTERIOR, BOTTOM OUTLET, ALUMINUM INTERNAL DOME STRAINER AND CAST IRON, NON-TRAFFIC, ACID-RESISTING, ANTI-TILTING SUPER-FLO® GRATE.

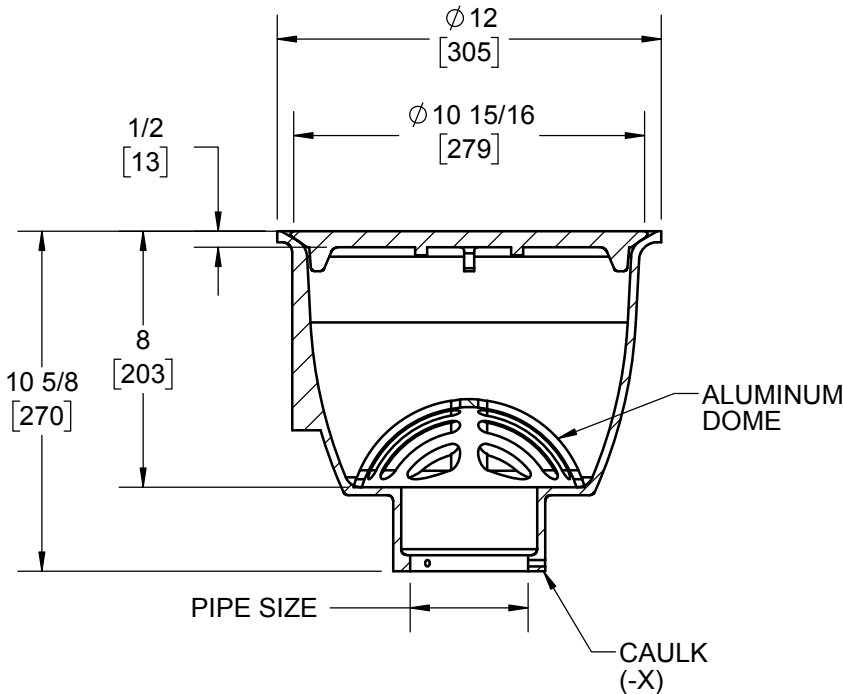
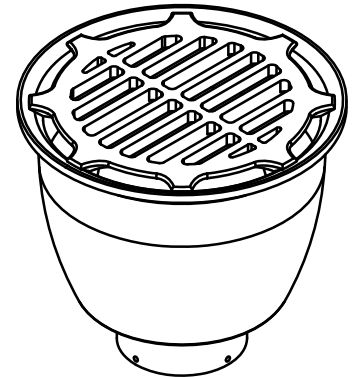
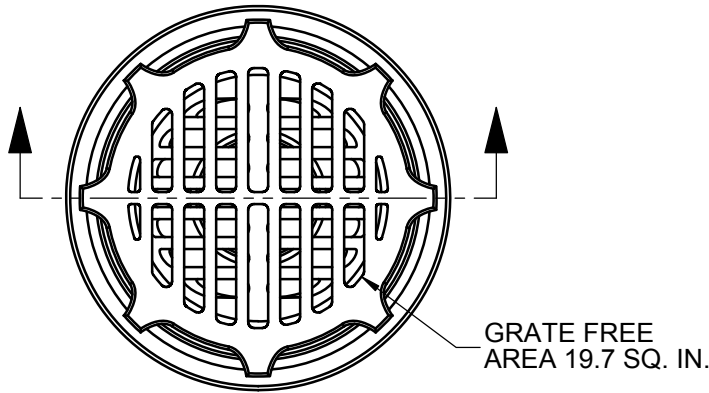
SANITARY FLOOR SINK

12" ROUND TOP, 8" DEEP

SERIES **49580A-LF**

FORMERLY 49590A SERIES

SLOT WIDTH 3/4"



| PIPE SIZE | |
|-----------|----|
| | 2" |
| | 3" |
| | 4" |

| | | | |
|---|---|-----|---------------------------------------|
| Δ | X | -LF | LESS FLANGE |
| | | -NB | NICKEL BRONZE TRAFFIC TOP |
| | | -LG | LESS GRATE |
| | | -3 | HALF (1/2) GRATE |
| | | -4 | THREE-QUARTER (3/4) GRATE |
| | | -7 | FULL GRATE WITH 2-1/2" CENTER OPENING |
| | | -8 | STAINLESS STEEL DEPRESSED GRATE |
| | | -16 | GRATE WITH 4" ROUND FUNNEL |
| | | -17 | GRATE WITH 6" ROUND FUNNEL |
| | | -18 | GRATE WITH 9" x 3-1/2" OVAL FUNNEL |

| | | | |
|--|---|-----|---|
| | | -31 | SEDIMENT BUCKET, ALUMINUM |
| | | -33 | SEDIMENT BUCKET, ACID RESISTANT FINISH |
| | * | -35 | BUCKET LINER (STAINLESS STEEL MESH) |
| | | -43 | INTERNAL DOME STRAINER, ACID RESISTANT FINISH |
| | | -45 | LESS INTERNAL DOME STRAINER |
| | | -51 | GALV. CAST IRON, INSIDE AND OUTSIDE (NO ARE) |
| | | -52 | PAINTED, INSIDE AND OUTSIDE (NO ARE) |
| | | -55 | 1/2" PRIMER TAP |
| | | -X | INSIDE CAULK OUTLET |
| | | -Z | NO-HUB OUTLET |

Δ SEPARATE SUBMITTAL FOR THIS OPTION AVAILABLE

*MUST ALSO SPECIFY -31 OR -33 OPTION

DATE OF LAST CHANGE: 7/09/18

DIMENSIONS ARE SUBJECT TO MANUFACTURERS TOLERANCES AND CHANGE WITHOUT NOTICE. WE CAN ASSUME NO RESPONSIBILITY FOR USE OF SUPERSEDED OR VOID DATA.



NOTES

WARNING: Cancer and Reproductive Harm - www.P65Warnings.ca.gov