

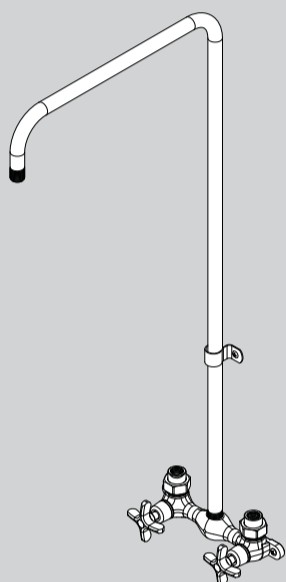
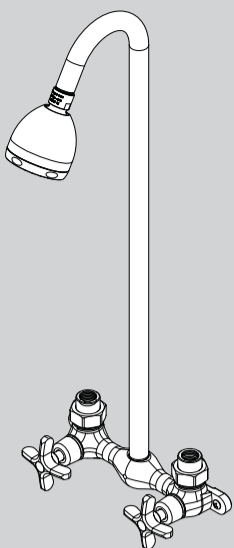
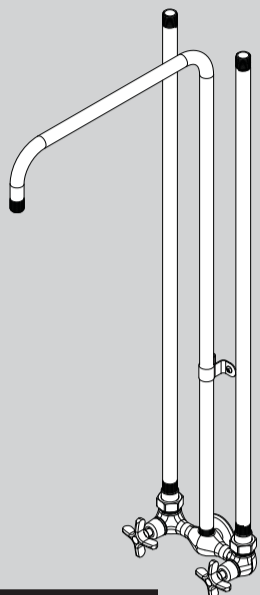
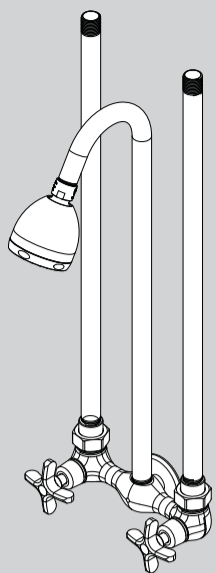
INSTRUCTIONS FOR MODELS

SC-1210 SERIES

SC-1220 SERIES

SC-1230 SERIES

SC-1240 SERIES



NEED HELP?

For additional assistance or service please contact:

SPEAKMAN® Company
400 Anchor Mill Road
New Castle, DE 19720

800-537-2107

customerservice@speakman.com

www.speakman.com

92-SC-12XX-01



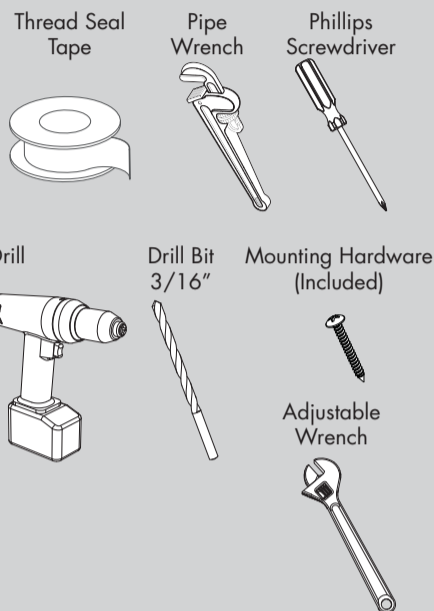
IMPORTANT



- Do not over-tighten any connections or damage may occur.
- Be sure to read instructions thoroughly before beginning installation.
- This shower valve has an operating range of 20-80 psi.

NOTE: Shut off water supplies. Supplies must be on 6" centers. Recommended height from center of valve body to floor is 54". Valve body is reversible to take supplies from below.

TOOLS AND SUPPLIES



HELPFUL TOOLS & SUPPLIES:



FREEZE PROTECTION



- Mounting location must be capable of supporting the product in use.

Freeze damage to the shower unit will void the warranty. It is important to winterize the complete shower unit. The unit must be drained of all water in freezing conditions. This includes removing the valve cartridge and the shower head from the unit. Store the valve cartridge and shower head indoors.

CAUTION: When outdoor temperature rises above 90 degrees, use caution to prevent scalding from water stored within the unit. It is recommended to flush the unit by turning it on for 30 seconds before entering the shower water. This will avoid accidental scalding by the user and ensure safe use of the shower unit.

SAFETY TIPS

Cover your drain to prevent loss of parts. Be sure to wear eye protection while cutting pipe.

MAINTENANCE

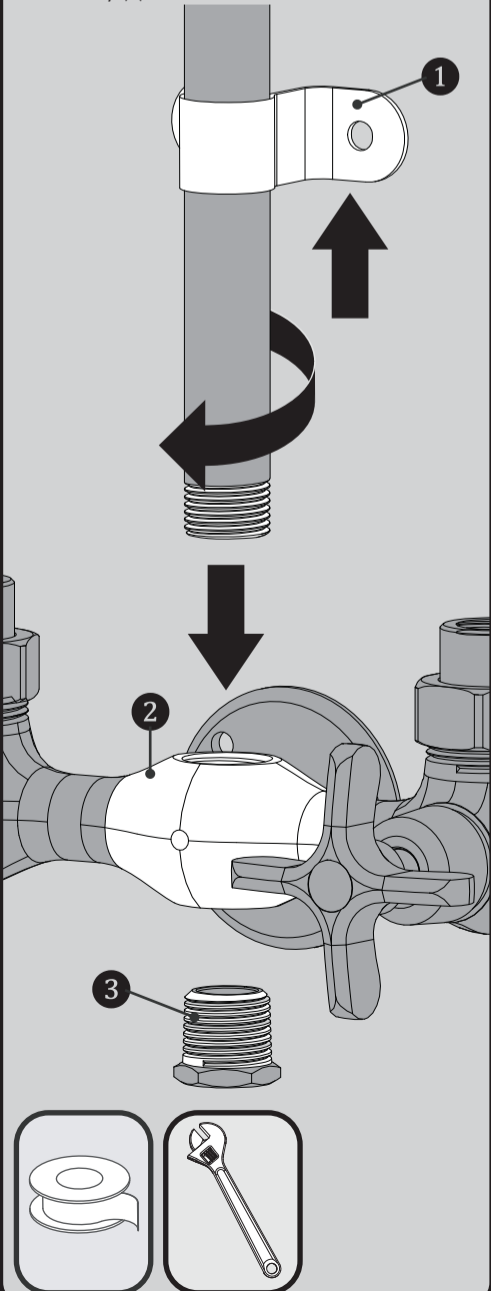
The shower valves are washerless and require no routine maintenance. The gleaming finish of your SPEAKMAN Commander shower can be cleaned by using mild soap and warm water. Dry immediately with a soft, clean cloth for best results. To remove the index button on the vandal resistant handles, locate knockout hole on handle underneath one of the arms of the handle. Insert a rigid pin (1/8" diameter or smaller) into hole and knockout index button.

Your new Speakman Product is designed for years of trouble-free performance. Keep it looking new by cleaning it periodically with a soft cloth. The use of harsh chemicals and abrasives on any of the Speakman custom finish products may damage the finish and void the product warranty. Please be sure to only use approved cleaners. Please contact Speakman for any clarification of acceptable cleaners.

WARRANTY

Warranty information can be found at: www.speakman.com

1 Slide the Strap (1) onto the Shower Arm. Then apply sealant to inlet threads of Shower Arm and the Plug (3). Screw the Shower Arm into the Valve Body (2). Tighten and position outlet perpendicular with Valve Body. Use Adjustable Wrench to tighten the Plug (3) into the Valve Body (2).



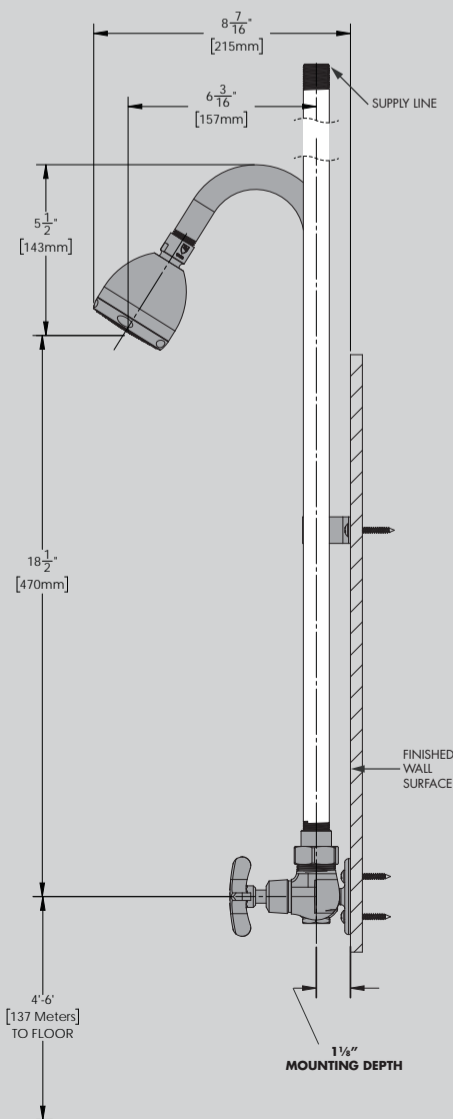
2 Following the rough-in dimensions for your model (located at the end of this manual), install Supply Pipes at proper location. See images below for reference.

FITTING WITH WALL FLANGE:

Apply pipe sealant to one end of Supply Pipes (provided). Screw pipes into supply lines.

NOTE: Supply lines must have 1/2 NPT female threaded ends and be 1-1/8" from center of supply line to finished wall.

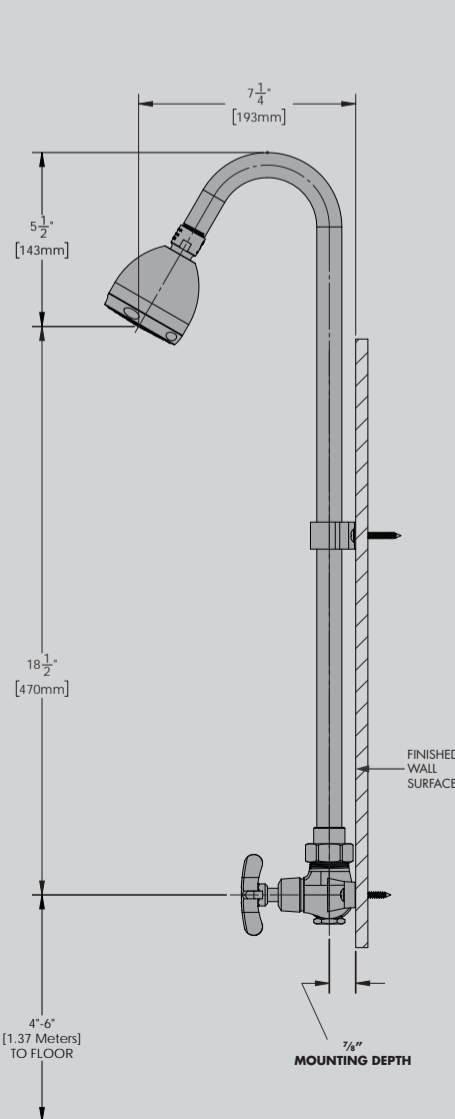
FITTING WITH WALL FLANGE



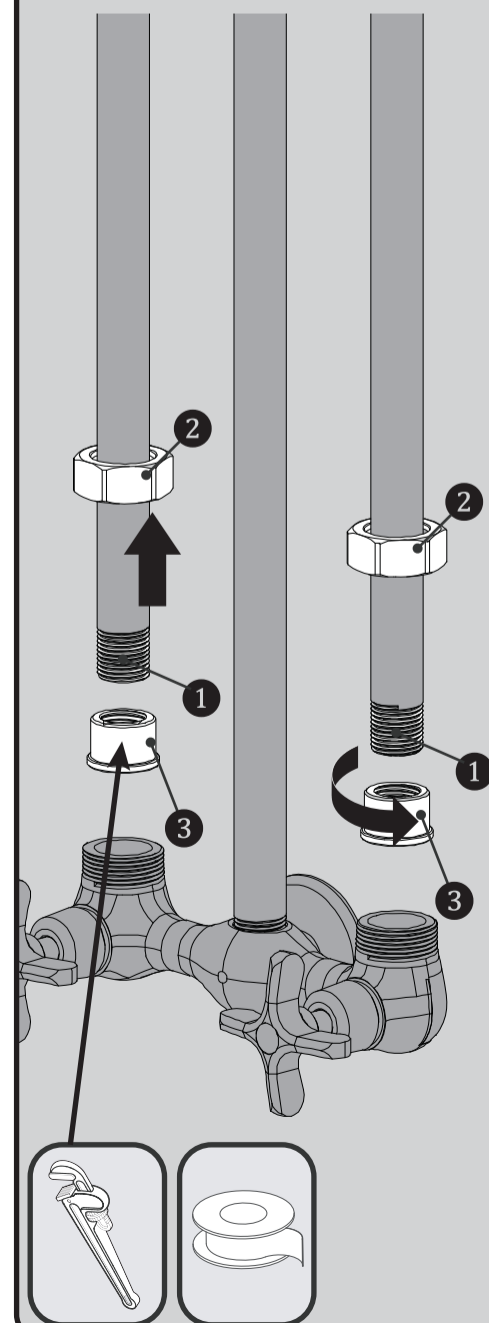
FITTING WITH LUGS:

Supply lines must have 1/2 NPT male threaded ends and be 7/8" from center of supply line to finished wall.

FITTING WITH LUGS

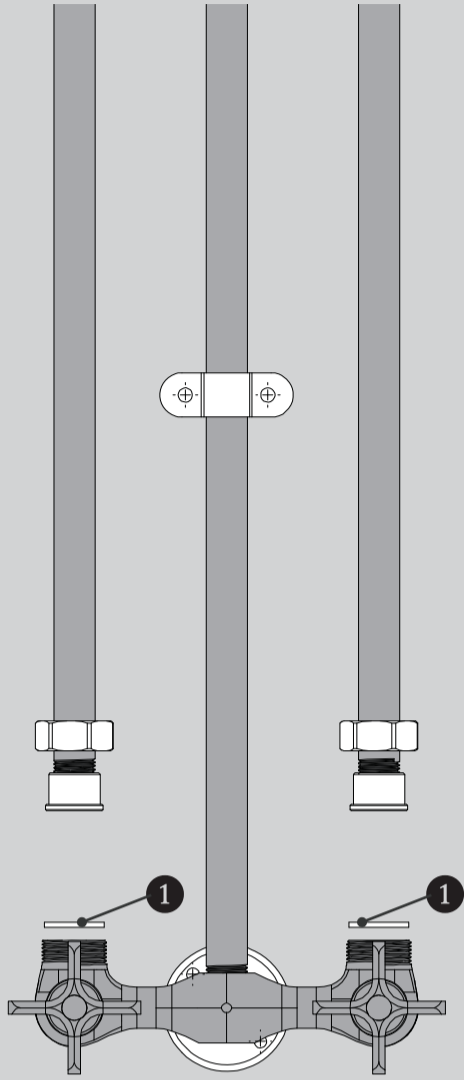


3 Apply sealant to threads of Supply Lines (1). Slip Coupling Nuts (2) onto Supply Lines and screw Swivels (3) up hand tight. Gripping on small diameter of Swivels with a Pipe Wrench, tighten pipes and/or Swivels.



4 Place Rubber Washers (1) on inlets of Valve Body and position body assembly up to Swivels and tighten Coupling Nuts.

NOTE: Shower Arm Strap location optional. Disconnect assembly from supply lines.

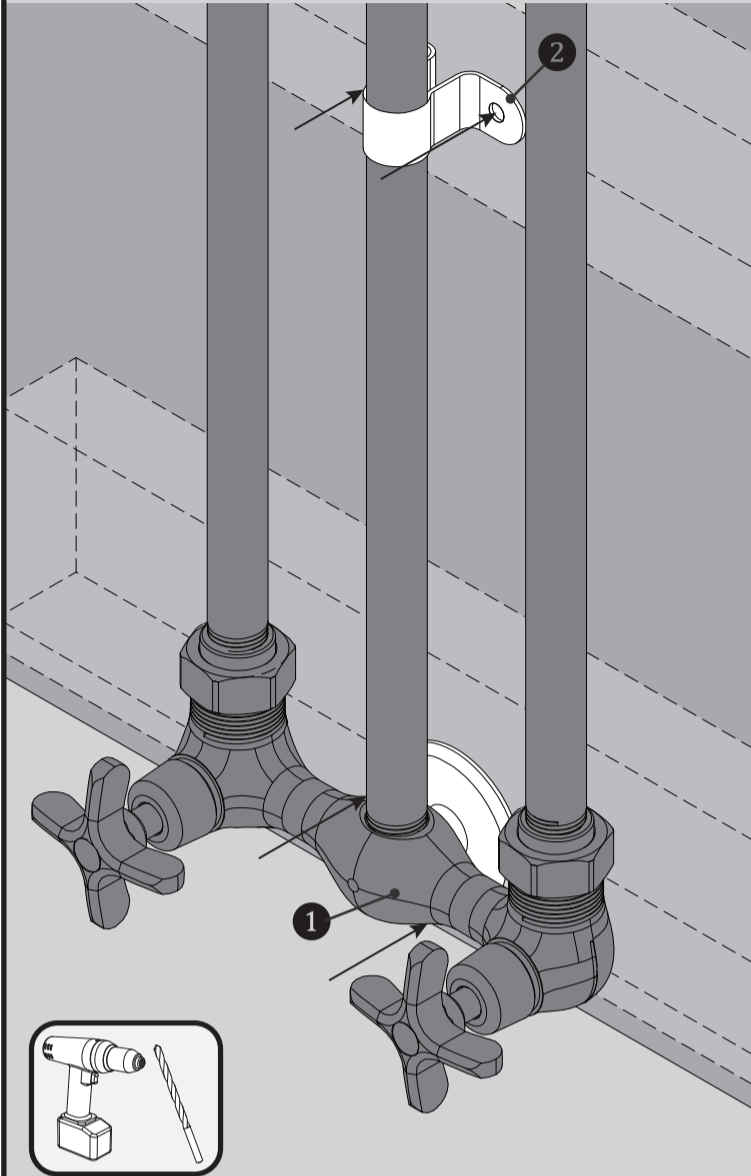


5 MOUNTING AND INSTALLATION OF ASSEMBLY WITH FLANGE

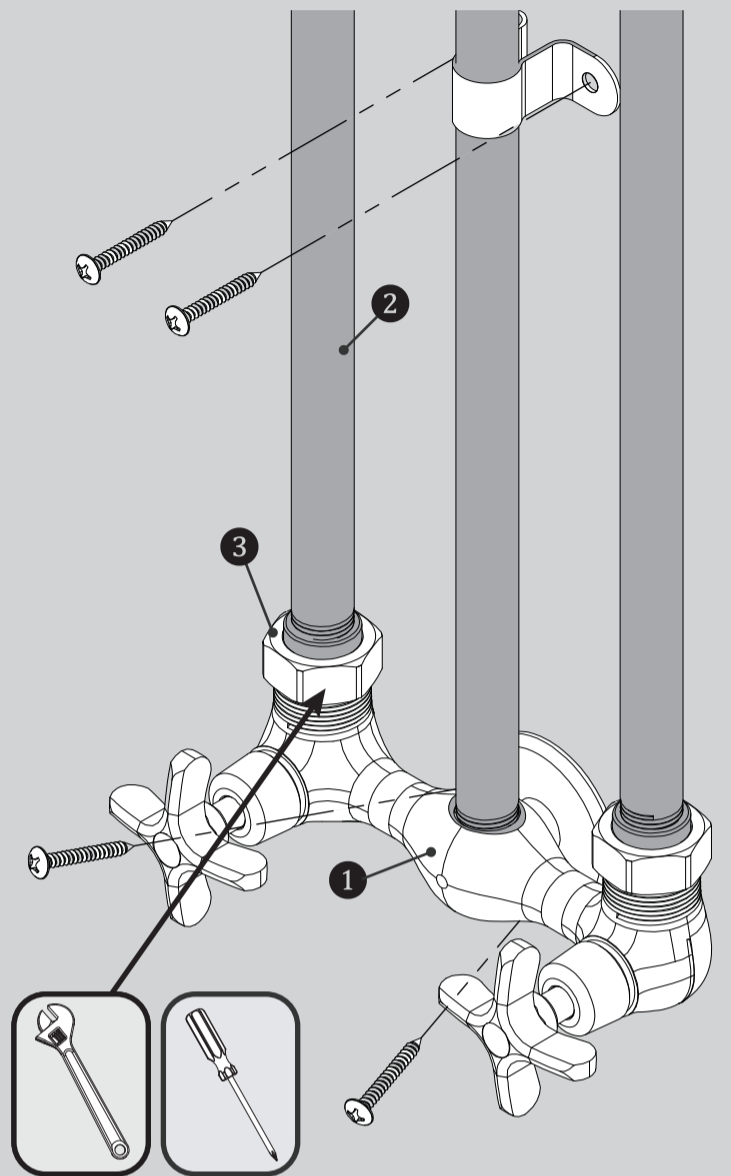
Verify that the mounting location and structure is capable of supporting the product in use.

Hold assembly up against wall and mark location of mounting holes for Valve Body (1) and Shower Arm Strap (2) referencing the rough-in diagram contained in this document.

Drill starter holes at marked locations



Connect Valve Assembly (1) to Supply Lines (2) and tighten Coupling Nuts (3) with wrench. Fasten body and strap to wall using four (4) Mounting Screws provided.

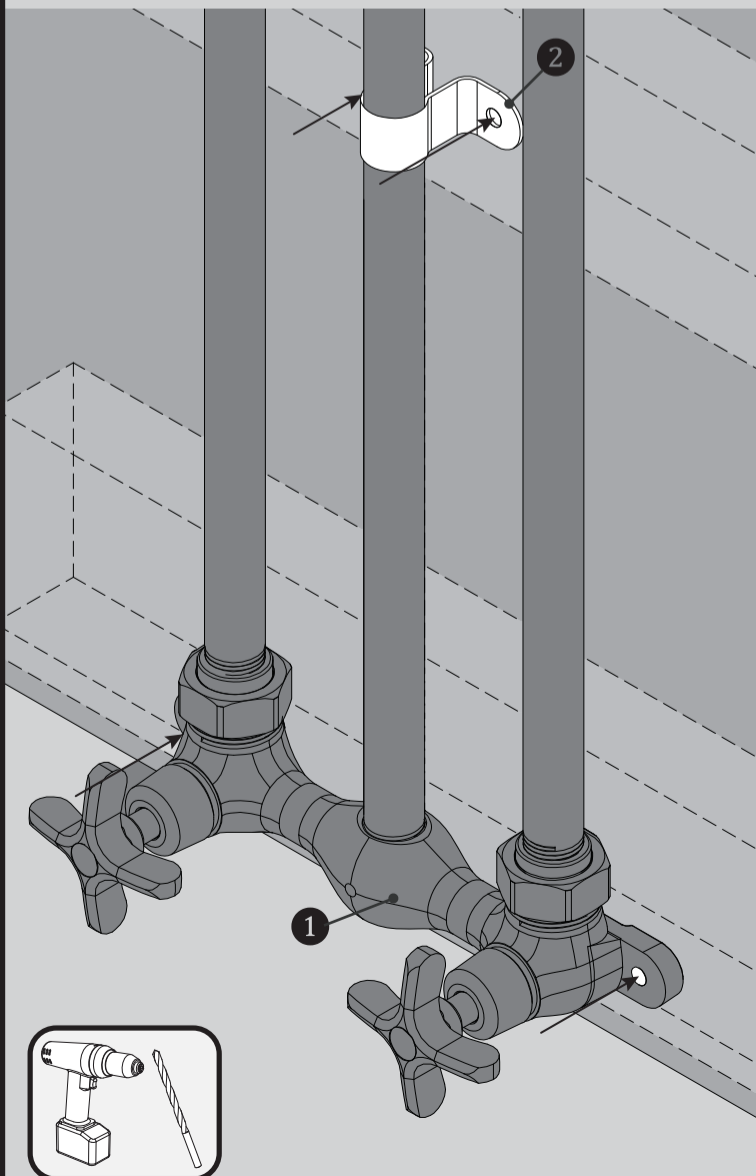


6 MOUNTING AND INSTALLATION OF ASSEMBLY WITH LUGS

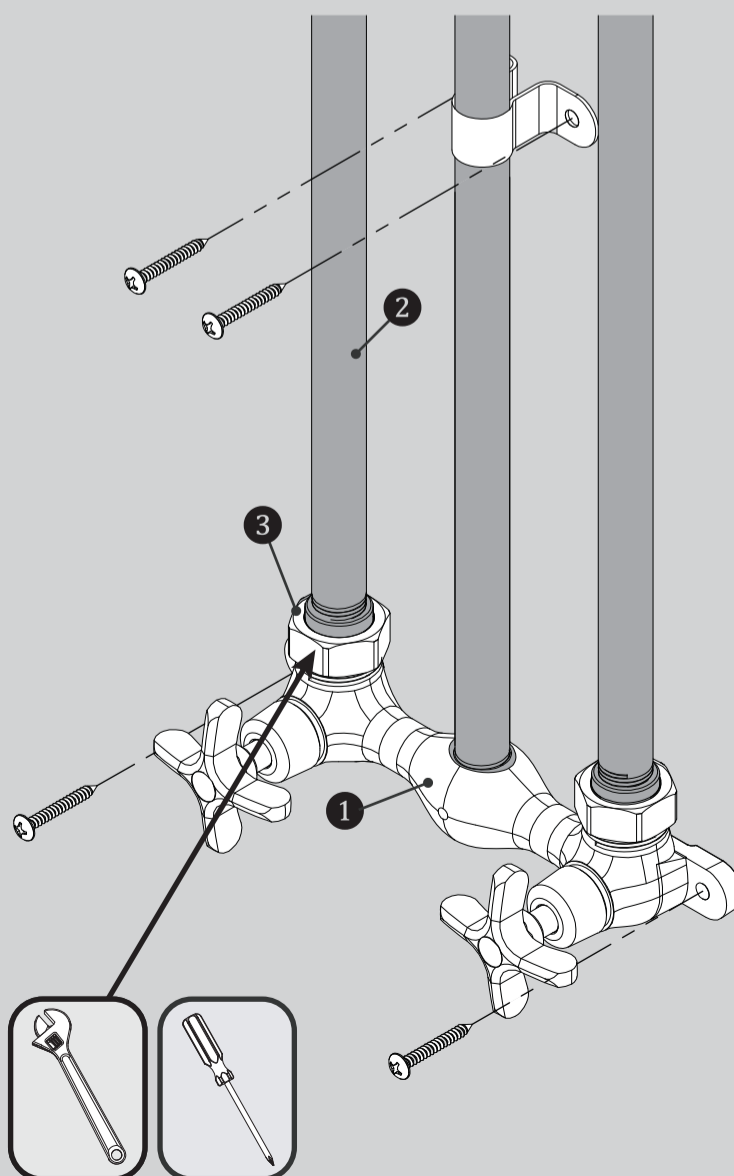
Verify that the mounting location and structure is capable of supporting the product in use.

Hold assembly up against wall and mark location of mounting holes for Valve Body (1) and Shower Arm Strap (2) referencing the rough-in diagram contained in this document.

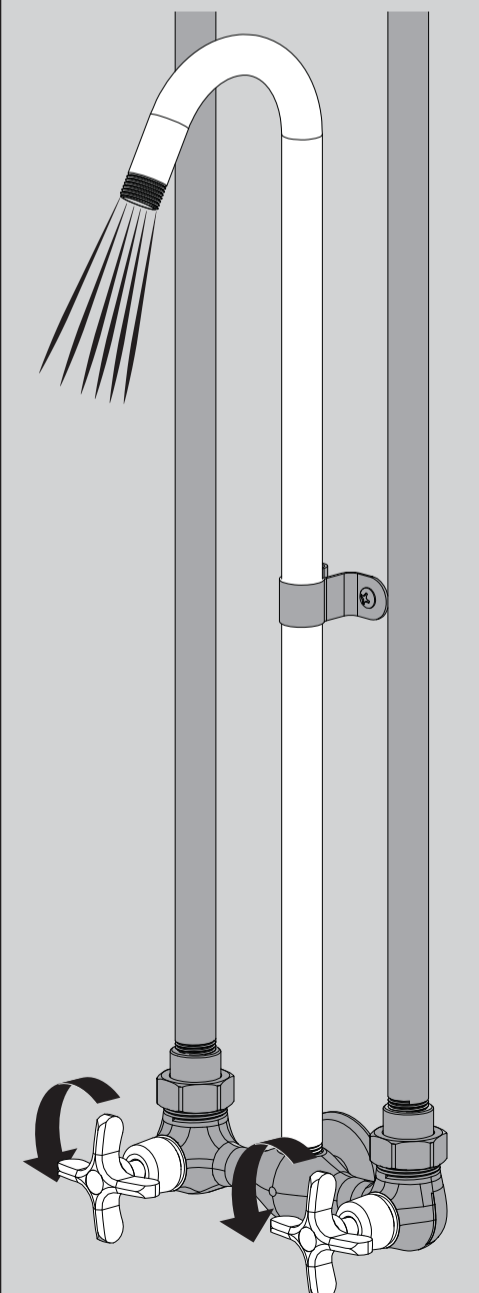
Drill starter holes at marked locations



Connect Valve Assembly (1) to Supply Lines (2) and tighten Coupling Nuts (3) with wrench. Fasten body and strap to wall using four (4) Mounting Screws provided.



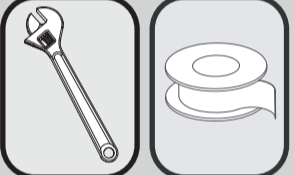
7 Turn water supplies on and flush both Hot and Cold sides of fitting.



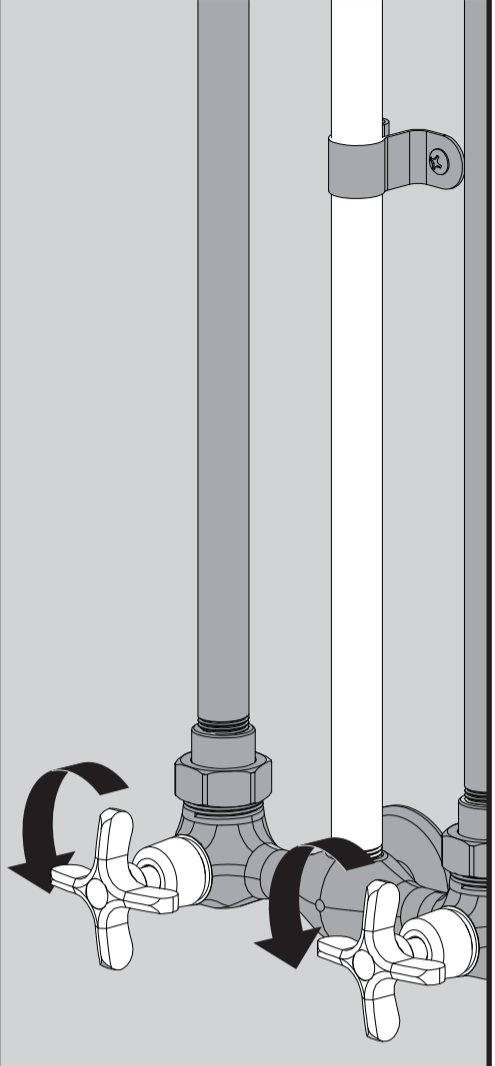
8 Apply sealant to threads of Shower Arm (1). Screw Shower Head (2) onto Shower Arm (1) and tighten with Pipe Wrench. Check all connections for leaks.



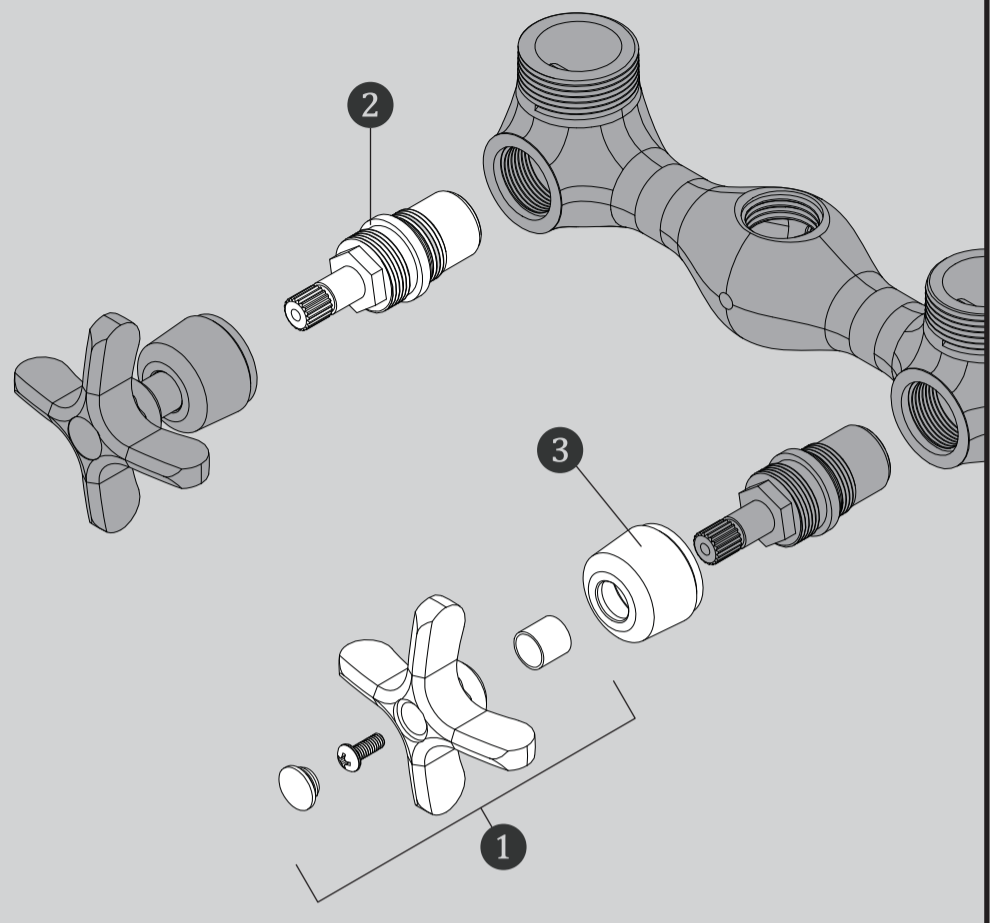
NOTE: Shower head not included with all models. Shown for reference only.



9 Simply rotate the handles ¼ turn maximum to operate the exposed shower.



SC-1210 / SC-1220 / SC-1230 / SC-1240 REPAIR PARTS



ITEM NO.	PART NO.	DESCRIPTION
1	RPG04-0323-PC	HANDLE REPAIR GROUP (INCLUDES HANDLE, SCREW, SLEEVE, & INDEXES)
2	RPG05-0532-CA	VALVE CARTRIDGE GROUP (RED) W/ TRIM SLEEVE AND SCREW
3	RPG02-0141-PC	TRIM COLLAR FOR VALVE

SC-1210-AF ROUGH-IN DIAGRAM

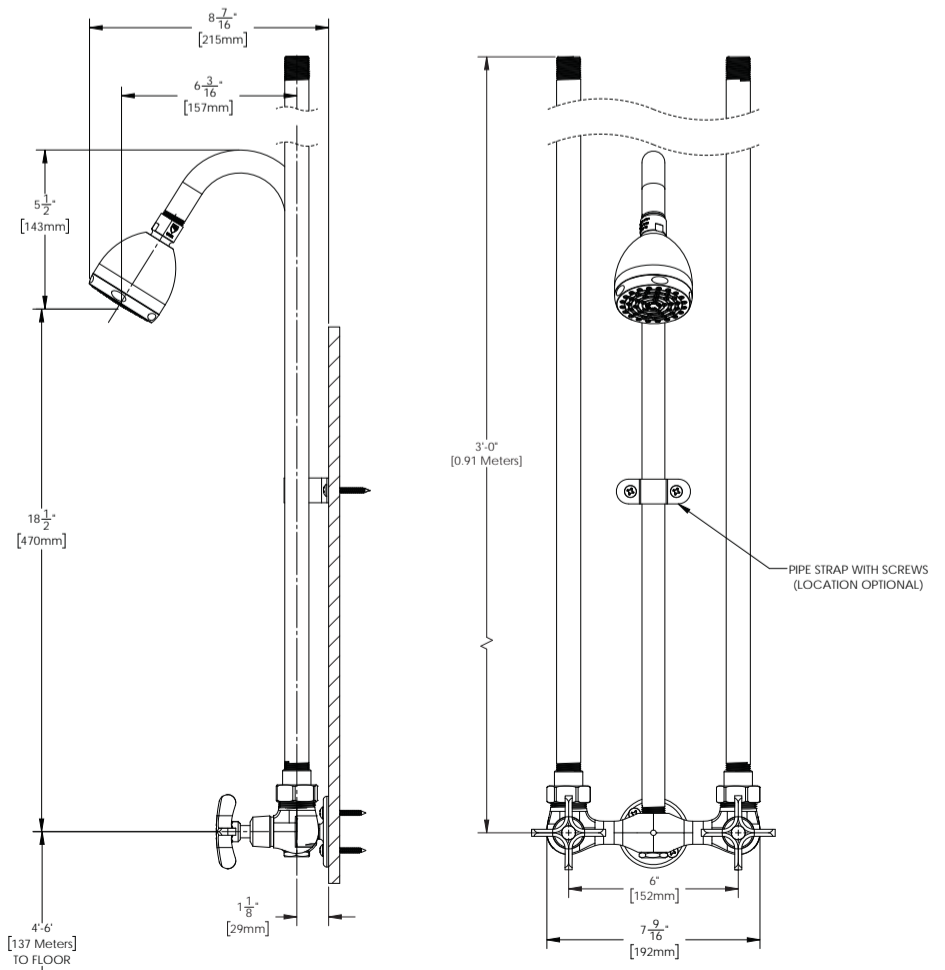


NOTES:

CONNECTIONS:

- Inlet: ½" NPT Male
- Outlets: ½" NPT Male

Contractor to supply necessary inlet connections.



DIMENSIONS SUBJECT TO CHANGE WITHOUT NOTICE.

SC-1220-AF ROUGH-IN DIAGRAM

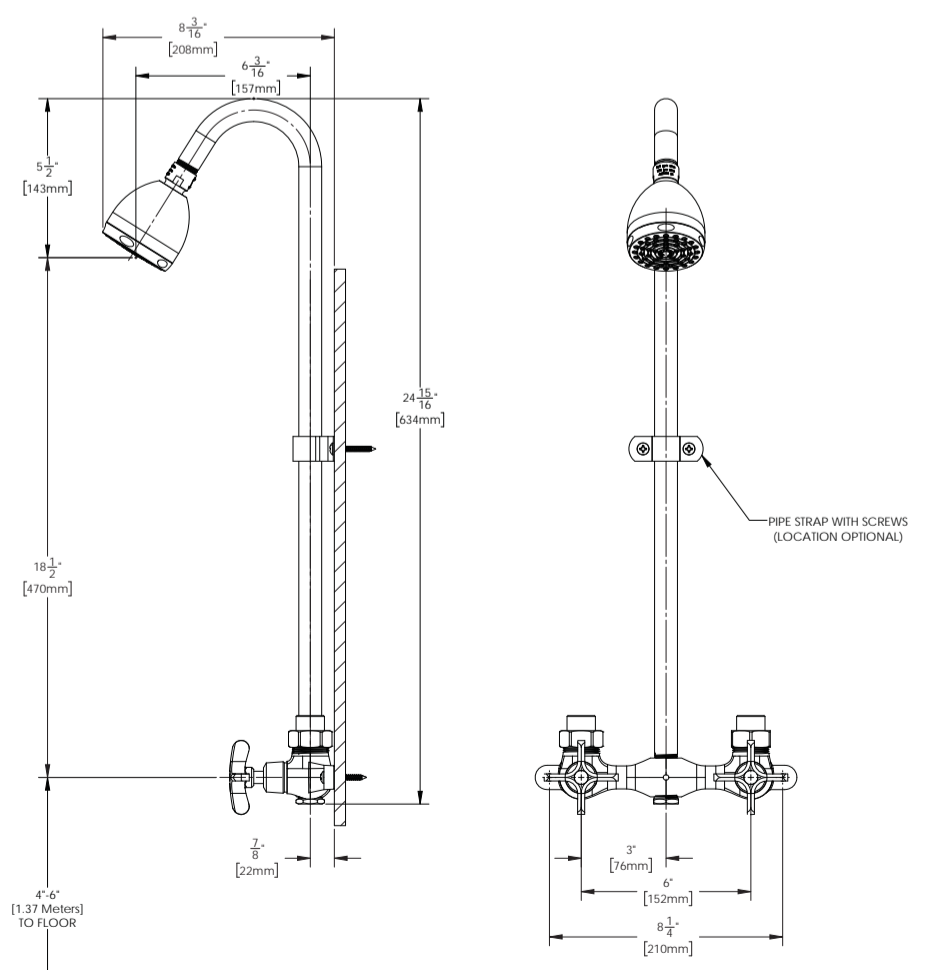


NOTES:

CONNECTIONS:

- Inlet: ½" NPT Female
- Outlets: ½" NPT Male

Contractor to supply necessary inlet connections.



DIMENSIONS SUBJECT TO CHANGE WITHOUT NOTICE.

SC-1230-LH ROUGH-IN DIAGRAM

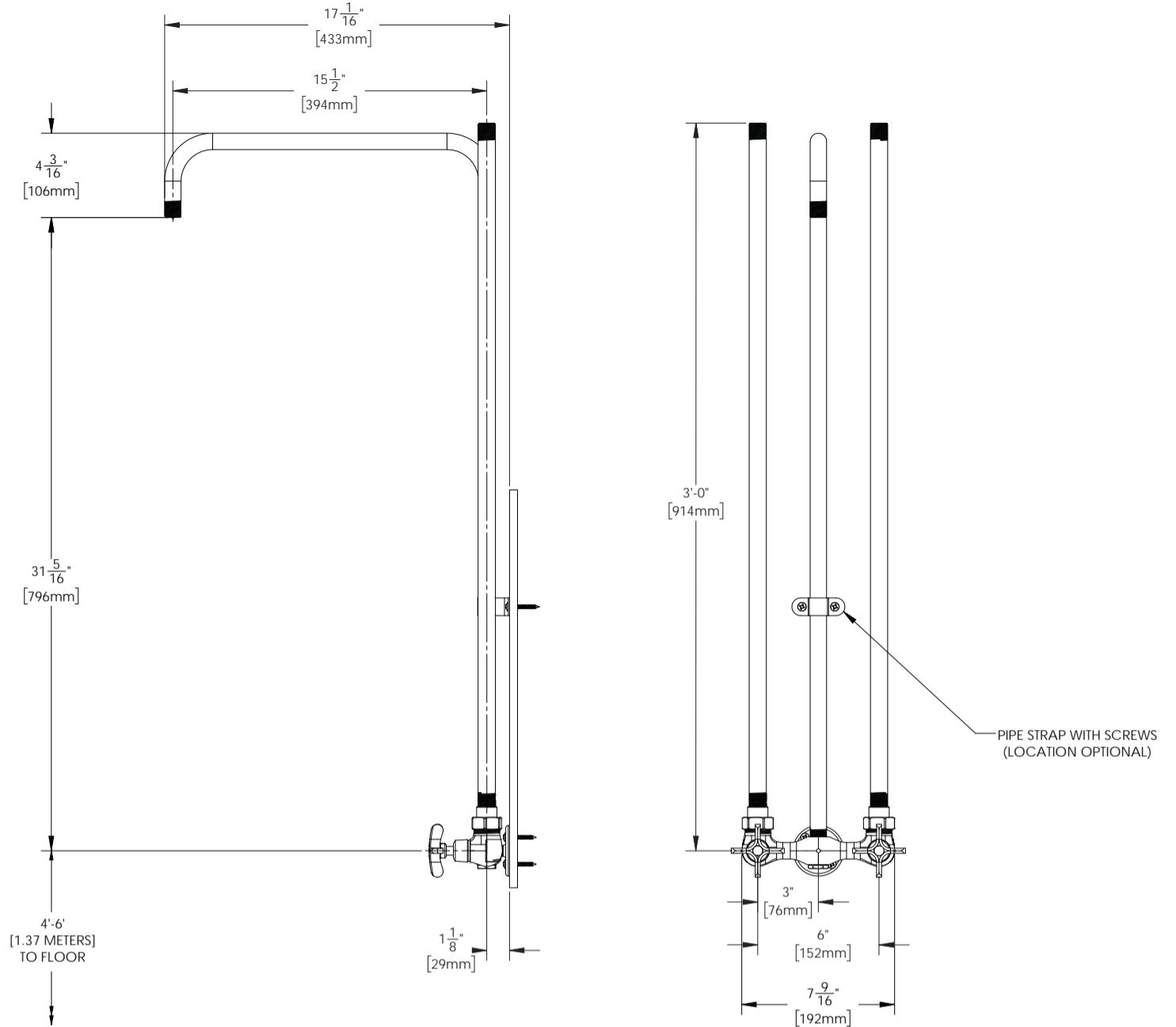
SPEAKMAN®

NOTES:

CONNECTIONS:

- Inlet: 1/2" NPT Male
- Outlets: 1/2" NPT Male

Contractor to supply necessary inlet connections.



DIMENSIONS SUBJECT TO CHANGE WITHOUT NOTICE.

SC-1240-LH ROUGH-IN DIAGRAM

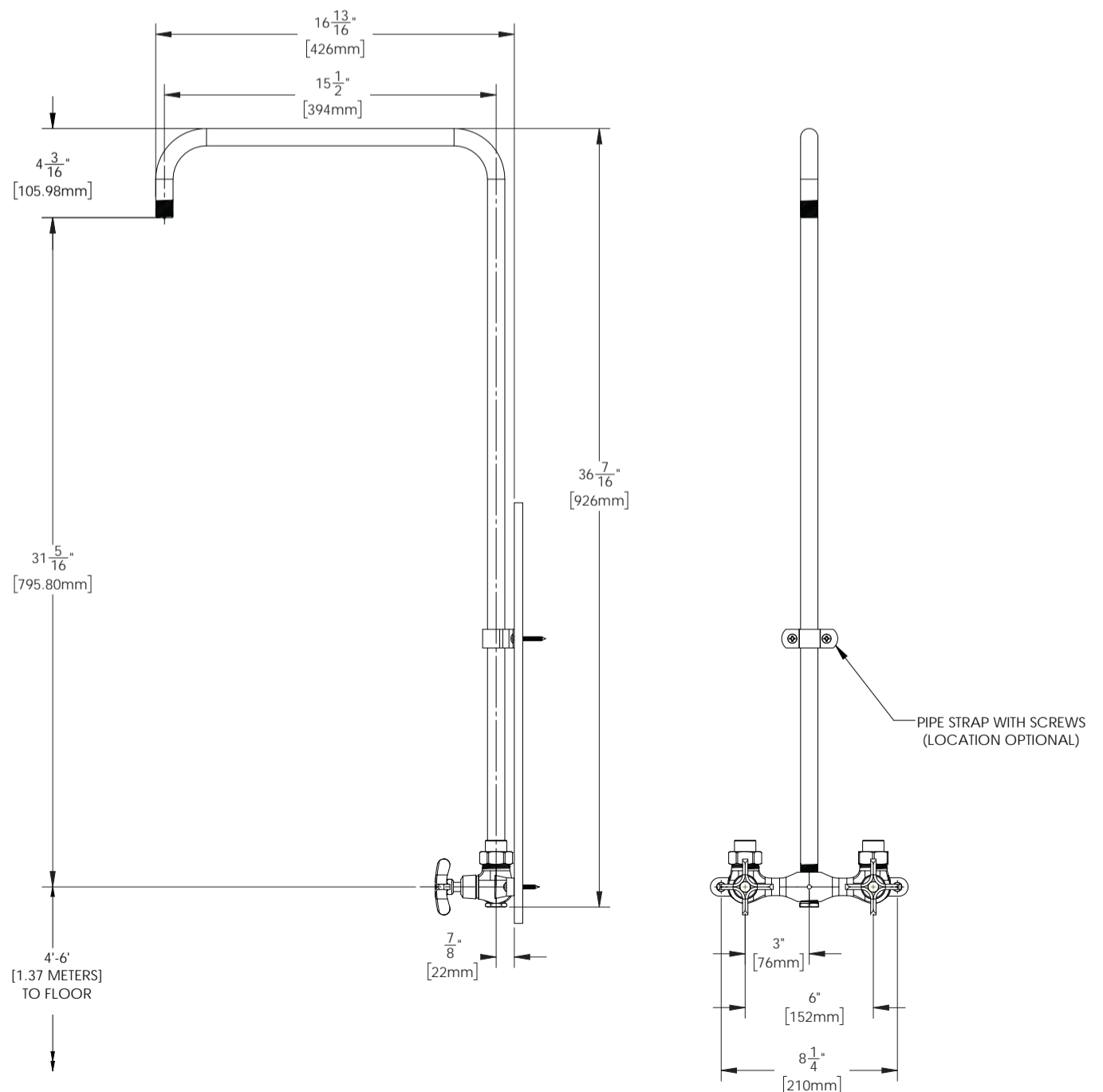
SPEAKMAN®

NOTES:

CONNECTIONS:

- Inlet: 1/2" NPT Female
- Outlets: 1/2" NPT Male

Contractor to supply necessary inlet connections.



DIMENSIONS SUBJECT TO CHANGE WITHOUT NOTICE.