

PLASTIC ROOF DRAIN WITH SIDE-OUTLET & OVERFLOW

SPECIFICATION

Furnish and install a combination Side Outlet Roof Drain, overflow and flashing area as one unit, complete with expansion couplings on both primary drain and overflow, made of high impact ABS, manufactured by Tech Specialties or approved equal.

NOTE: ABS Roof Drains with Side Outlet to be used for B.U.R. application

DESIGN FEATURES

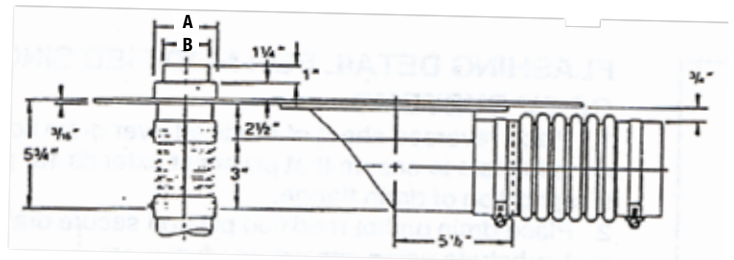
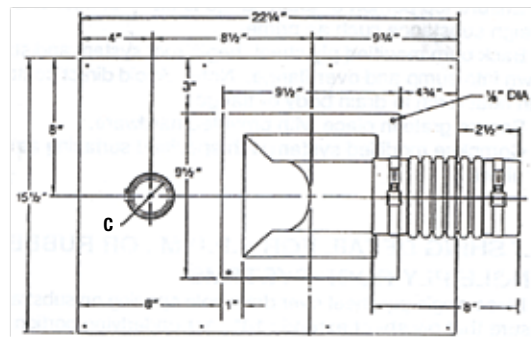
- Available in ABS
- High Impact Compounds
- Noncorrosive
- Tough, durable, able to withstand construction site handling
- UV inhibitors added
- Expansion coupling allows for expansion/contraction and compatibility with plastic or metallic conductors/downspouts
- Lightweight - ease of installation

COMPLIANCES/LISTINGS

- IAPMO 4192; ASME A112.6.4-2003 (R08)/UPC/IPC



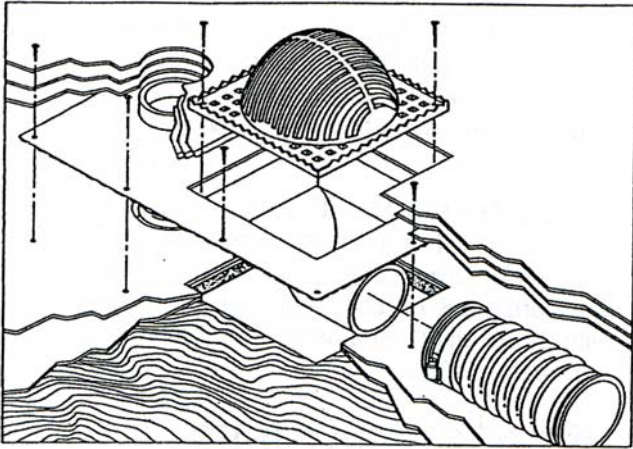
Dimensions



PART NUMBER	DESCRIPTION	DIMENSIONS (inches)			MSTR CTN QTY
		A	B	C	
T-0020	2" ABS	3.515	2.385	2.385	1
T-0022	3" ABS	4.515	3.515	3.515	1
T-0024	4" ABS	4.515	3.515	4.515	1

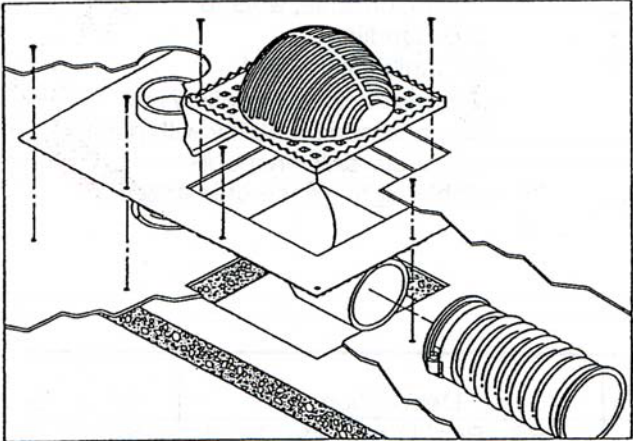
Product Submittal	
Job Name:	Date:
Part Number:	Quantity:
Architect:	
Contractor:	

Content matter is subject to change at any time. It is the user's responsibility to ensure the most updated revisions are obtained. 4/2021



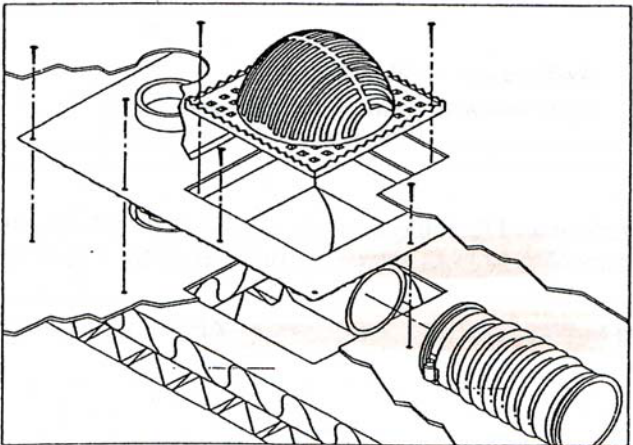
FLASHING DETAIL FOR BUILD-UP ROOF SYSTEMS

1. Mechanically attach 2 plies of roofing ply sheet embedded in hot asphalt to substrate, ensure the plies extend 18" past underlying portion of drain flange.
2. On under portion of drain flange embed 1/3" roofing mastic.
3. Securely fasten drain flange to substrate using appropriate fasteners.
4. For best results, clean drain flange with damp cloth. It is not necessary to use asphalt primer.
5. Begin B.U.R. system embedding alternate layers of roofing ply sheet down into sump and over flange. Note: Ensure asphalt is at temperature between 430°F and 475°F.
6. Secure grate in place with provided hardware.
7. Complete roof system with specified surfacing as required



FLASHING DETAIL FOR MODIFIED SINGLE-PLY ROOF SYSTEMS

1. Place reversed sheet of modified over drain hole opening on substrate to ensure that ply sheet extends 18" past underlying portion of drain flange.
2. Place drain on hot modified ply and secure drain flange to roof substrate using appropriate fasteners.
3. Ensure top portion of drain flange is clean of dust or any foreign substance such as primer.
4. Back burn modified ply sheet, begin roof system and start down into sump and over flange. Note: Avoid direct contact with heat torch to drain or body flange.
5. Secure grate in place with provided hardware.
6. Complete modified system with specified surfacing as required.



FLASHING DETAIL FOR E.P.D.M. OR RUBBER SINGLE-PLY ROOF SYSTEMS

1. Place single-ply sheet over drain hole opening on substrate; ensure that ply sheet extends 18" past underlying portion of receiving drain flange.
2. On under portion of drain flange embed 1/3" of specified adhesive.
3. Securely fasten drain flange to substrate using appropriate fasteners.
4. Embed single-ply sheet in specified adhesive down into sump and over top portion of flange.
5. Secure grate in place with provided hardware.
6. Complete single-ply system with specified surfacing as required.