

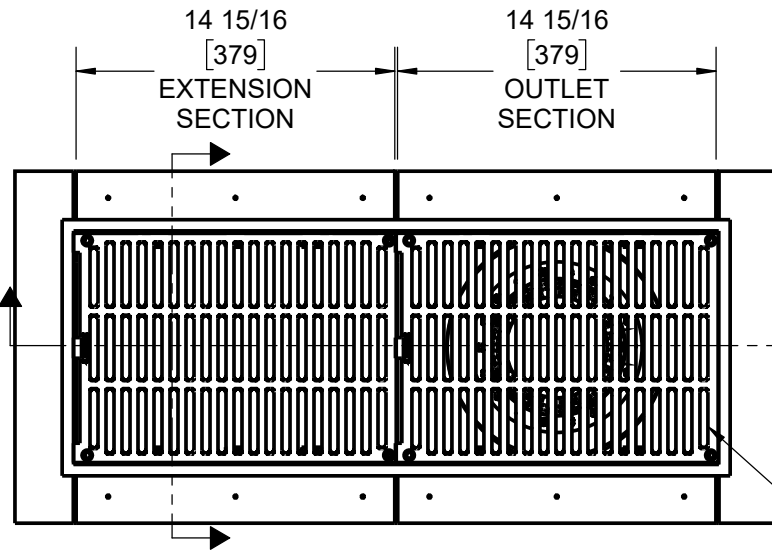
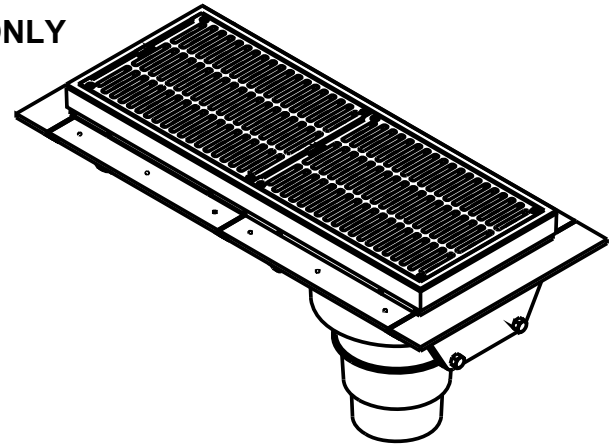
**SPECIFICATION:**

JOSAM 76010-1-70 SERIES COATED CAST IRON RECTANGULAR SECTIONAL TRENCH DRAIN WITH HEAVY-DUTY BODY SECTIONS AND INTEGRAL ANCHOR FLANGE, SATIN FINISH NIKALOY TOP GRATES, SECONDARY LOOSE-SET DOME STRAINER AND BOTTOM INSIDE CAULK OUTLET CONNECTION.

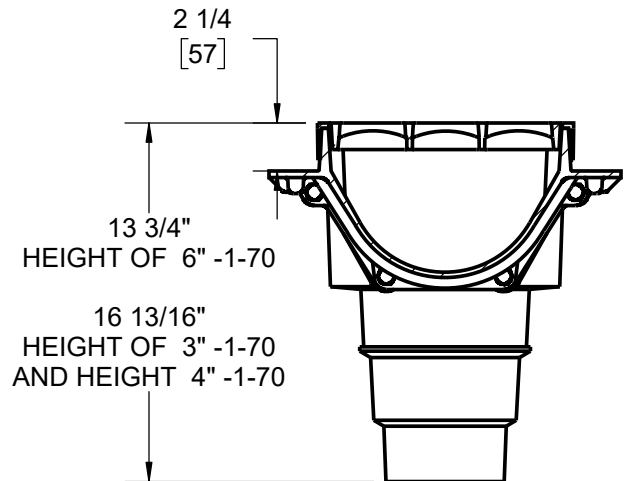
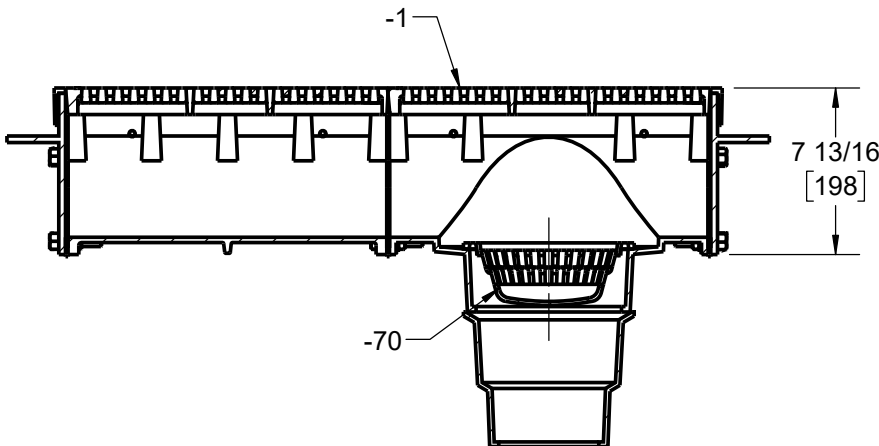
**TRENCH DRAIN**  
12" WIDE, RECTANGULAR

SERIES **76010-1-70**

**ASSEMBLY SHOWN AS EXAMPLE ONLY**



SLOT WIDTH 3-1/16" X 3/8"  
GRATE FREE AREA = 66.1 IN<sup>2</sup>



OVERALL DIMENSIONS ARE THE SAME FOR -2

x	-1	SATIN FINISH NIKALOY TOP
	-2	SATIN FINISH BRONZE TOP
x	-70	SEDIMENT BUCKET, CAST IRON

SEE 76010 SUBMITTAL FOR ALL OPTIONS AND FURTHER DETAILS

DATE OF LAST CHANGE: 01/08/20

DIMENSIONS ARE SUBJECT TO MANUFACTURERS TOLERANCES AND CHANGE WITHOUT NOTICE. WE CAN ASSUME NO RESPONSIBILITY FOR USE OF SUPERSEDED OR VOID DATA.



NOTES