

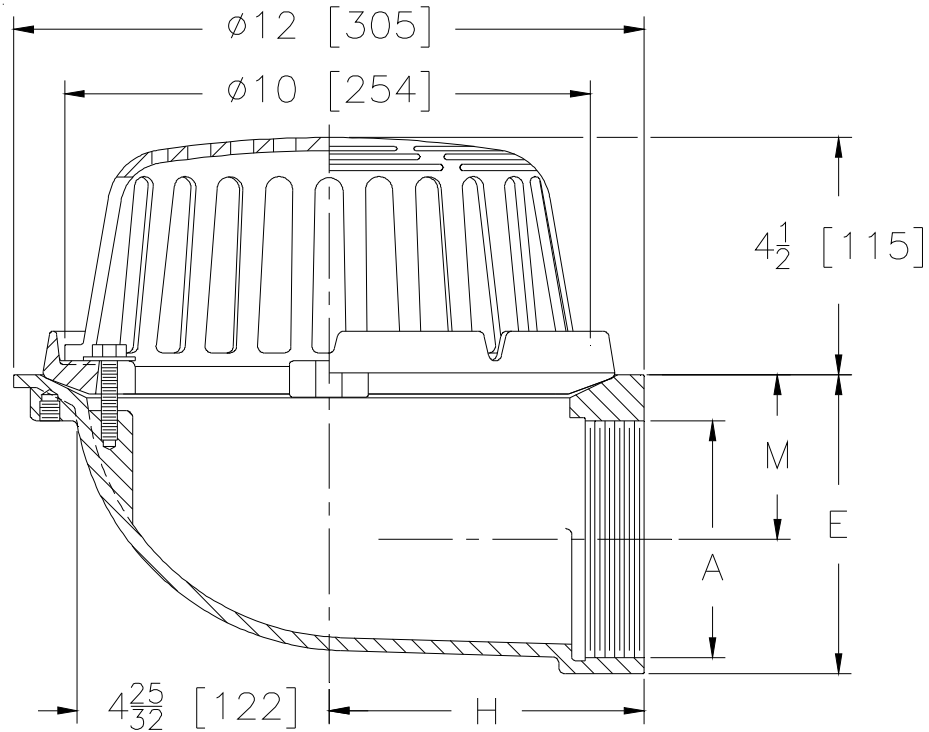


# Z121-90

## 12 [305] DIAMETER LATERAL ROOF DRAIN

TAG \_\_\_\_\_

Dimensional Data (inches and [ mm ]) are Subject to Manufacturing Tolerances and Change Without Notice



Dimensions In Inches			Approx. Wt. Lbs. [kg]	Dome Open Area Sq. In [sq. cm.]
A Pipe Size	H	M		
2 [51]	6 [152]	4-1/8 [108]	37 [17]	78 [503]
3 [76]		3-5/8 [94]	35 [16]	
4 [102]		3-1/8 [81]	36 [16]	

**ENGINEERING SPECIFICATION:** ZURN Z121-90  
 12 [305] Diameter lateral roof drain. Dura-Coated cast iron body with combination membrane flashing clamp/gravel guard and low silhouette cast iron dome.

**OPTIONS** (Check/specify appropriate options)

**PIPE SIZE**  
 2, 3, 4 [51, 76, 102]

(Specify size/type) **OUTLET**  
 \_\_\_\_\_ IP Threaded

**'E' BODY HT. DIM.**  
 5-3/4 [133]

**PREFIXES**

- \_\_\_ Z D.C.C.I. Body with Dome (4-1/4 [108] Dome Height)\*
- \_\_\_ ZA D.C.C.I. Body with Aluminum Dome (6-9/16 [167] Dome Height)
- \_\_\_ ZRB D.C.C.I. Body with Plain Bronze Dome (3-7/8 [98] Dome Height)

**SUFFIXES**

- \_\_\_ -AR Acid Resistant Epoxy Coated
- \_\_\_ -BS Bronze Mesh Screen Over Dome
- \_\_\_ -C Underdeck Clamp
- \_\_\_ -DP Top-Set® Roof Deck Plate
- \_\_\_ -E 2 [41] High Static Extension (Specify Ht.)
- \_\_\_ -EB Top-Set® Adjustable Extension Assembly
- \_\_\_ -FG Flush Grate
- \_\_\_ -G Galvanized Cast Iron
- \_\_\_ -R Roof Sump Receiver
- \_\_\_ -SC Secondary Clamping Collar
- \_\_\_ -SS Stainless Mesh Screen Over Dome
- \_\_\_ -VP Vandal-Proof Secured Top
- \_\_\_ -84 Stainless Steel Perforated Gravel Guard (Specify Ht.)
- \_\_\_ -85 Stainless Steel Perforated Extension (Specify Ht.)
- \_\_\_ -89 2 [51] High External Water Dam (Specify Ht.)

<b>REV. D</b>	<b>DATE: 03/14/12</b>	<b>C.N. NO. 122750</b>
<b>DWG. NO. 35162</b>	<b>PRODUCT NO. Z121-90</b>	

\*REGULARLY FURNISHED UNLESS OTHERWISE SPECIFIED