

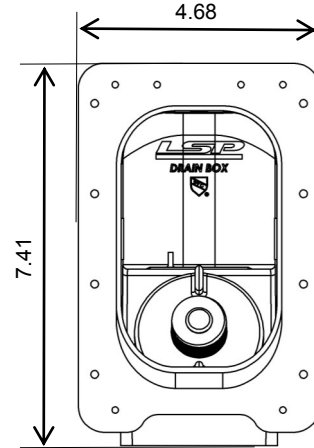


# FIRE STOP™ DRAIN BOX

## Fire Rated Plastic Washing Machine Outlet Box Specification Sheet



FRONT VIEW OBFD-100



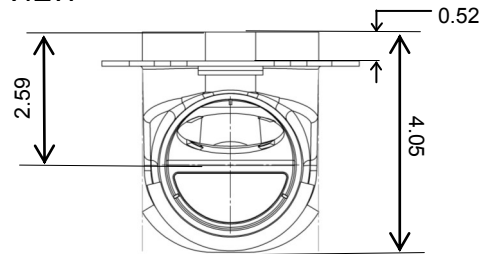
**SPECIFICATION**

Furnish and install Fire Rated Drain Box as manufactured and specified by LSP Products Group, Specialty Products.

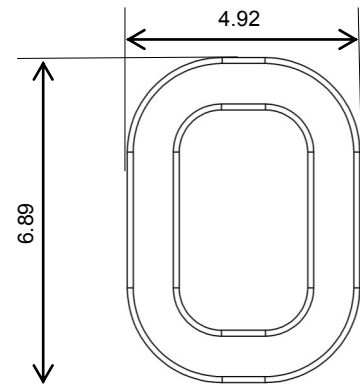
**DESIGN FEATURES**

- A perfect match with LSP's Pull Stop Box product line
- Smaller and stronger molded from high impact plastic
- Fast versatile Installation
- Flexible drain and supply stop installation options when used with LSP's Fire Stop™ Pull Stop™ supply stops. Unlimited versatility between left, center, right drains, top or bottom supply piping, split in separate stud cavities, or on adjacent walls
- Fire rating restrictions:
  - Limit of 1 Drain Box and 2 PSB per stud bay facing the same direction
  - Must secure top and bottom with metal strap (Hyco or Boss Bar)
- Includes Threaded Test Plug eliminating need for knock-outs
- Fill stack & Test directly from the box using EZ-fill Threaded Test Plug P-00992 and standard washing machine hose.
- Works perfectly with HYCO straps on both top and bottom
- 2" Drain Pipe Connection

BOTTOM VIEW



FACEPLATE P-00908-FR



**CAUTION**

- Do not exceed 40 PSI of drain pressure with test plug installed

**COMPLIANCES/LISTINGS**

- IAPMO Listed, File 901
- Intertek ASTM E 814, CAN/ULCS115



3689 Arrowhead Drive, Carson City, NV 89706  
 Phone (800) 854-3215 Fax (800) 243-1777  
 E-mail sales@lspproducts.com  
 Website www.lspproducts.com

Content matter is subject to change at any time. It is the user's responsibility to ensure the most updated revisions are obtained.

Product Submittal	
Job Name:	
Date:	
Part Number	Quantity
Architect:	
Contractor:	



# FIRE STOP™ DRAIN BOX

## Fire Rated Plastic Washing Machine Outlet Box Specification Sheet

### INSTALLATION INSTRUCTIONS

1. Fire rated Drain Box is to be mounted in 5/8" Type X gypsum wallboard on each side of supporting construction. Minimum one layer wall board for one hour wall rating and minimum two layers for two hour wall rating. Wall studs can be either 20 GA galvanized steel or wood with minimum depth of 3-5/8 inch.
2. Remove faceplate shown in Fig. 2 before mounting Drain Box in desired location, by squeezing the sides to disengage the securing tabs and pulling outward from the box opening.
3. **Drain Box can be installed by itself or with one or two Certified LSP FireStop™ Pull Stop Box™ in one stud cavity facing the same direction.** Drain Box and Pull Stop Boxes facing the opposite direction must be mounted in separate stud cavity.
4. **Fire rated Drain Box must mount using metal support brackets across bottom and top as shown (Fig. 1) with at least 2 screws in each bracket.** Suggest using LSP's metal HYCO strap or Boss Bar P-1093.
5. Drain Box can be fastened to a vertical stud using 2 screws through flange in addition to using metal support brackets.
6. Solvent cement drainpipe into the socket at the bottom of the drain outlet. Follow cement manufacturer's instructions. Wipe away any excess or pooling cement.
7. Install drain plug into drainpipe outlet by aligning plug threads of outlet hole and turning clockwise until tight. NOTE: The test plug includes a 3/4" male hose-thread for the convenient attachment of a hose to fill the drain/vent stack (with water only) for leak testing. To use the test plug to fill stack, cut end off top of threads and attach hose between valve and threaded nipple. (Fig. 1)
8. After testing, remove test plug from drain.
9. (Final steps) After drywall is installed, attach faceplate. Insert washing machine discharge hose into drain opening. (Fig. 2)

Part Number	Description
OBFD-100	Fire Stop Drain Box
Accessories/Replacement Parts	
P-00908	Faceplate, Rounded
P-00992	Outlet Box Test Plug
P-1078-08	HYCO Strap, 8"x3/4"x1/16"
P-1078-18	HYCO Strap, 18"x3/4"x1/16"
P-1079-26	HYCO Strap, 26"x3/4"x1/16"
P-1090	Boss Bracket, 10"
P-1093	Boss Bracket, 13"

LSP FIRE RATED DRAIN BOX IS CERTIFIED BY INTERTEK /  
WARNOCK HERSEY TO THE FOLLOWING FIRE RATING STANDARDS:

ASTM E814, CAN/ULC S115  
 ONE HOUR WALL: 1 HOUR (F), 3/4 HOUR (T)  
 TWO HOUR WALL: 2 HOUR (F), 1-1/2 HOUR (T)

Figure 1

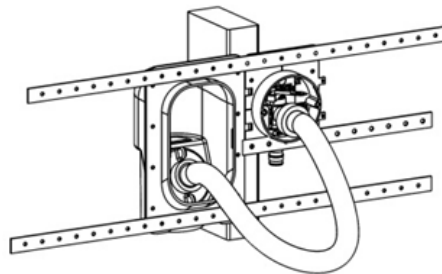
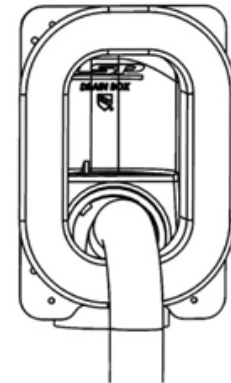


Figure 2



3689 Arrowhead Drive, Carson City, NV 89706  
 Phone (800) 854-3215 Fax (800) 243-1777  
 E-mail sales@lspproducts.com  
 Website www.lspproducts.com  
 Content matter is subject to change at any time. It is the user's responsibility to ensure the most updated revisions are obtained.

Product Submittal	
Job Name:	
Date:	
Part Number	Quantity
Architect:	
Contractor:	