

SPECIFICATION:

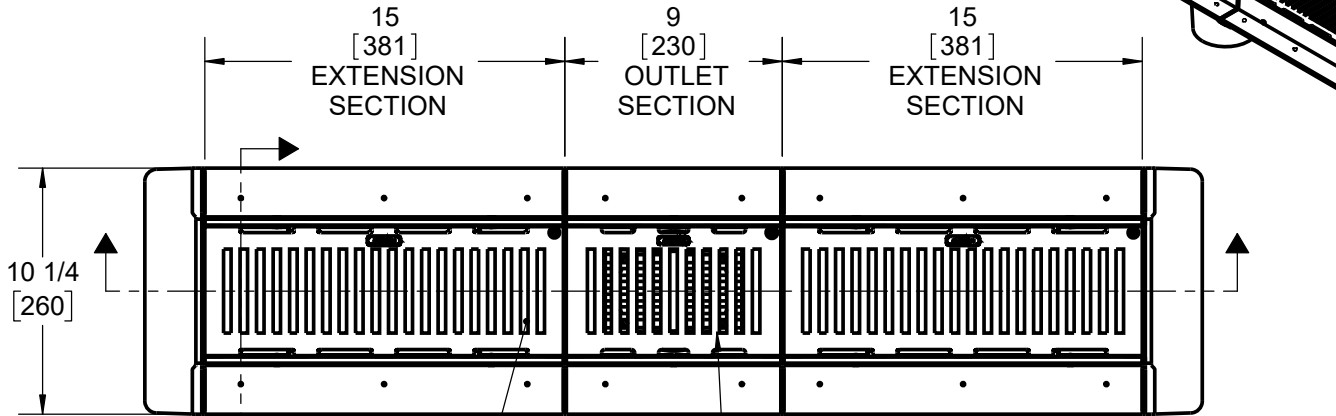
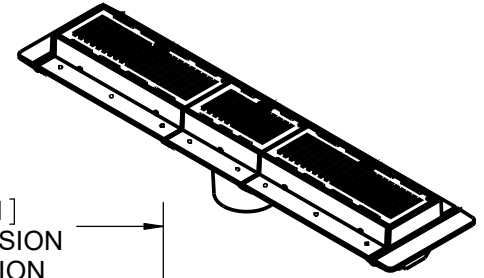
JOSAM 76000 SERIES COATED CAST IRON RECTANGULAR SECTIONAL TRENCH DRAIN WITH HEAVY-DUTY BODY SECTIONS AND INTEGRAL ANCHOR FLANGE, HEAVY-DUTY LOOSE-SET SUPER-FLO GRATES WITH PERIMETER DRAINAGE SLOTS, SECONDARY LOOSE-SET DOME STRAINER AND BOTTOM INSIDE CAULK OUTLET CONNECTION.

**TRENCH DRAIN
SUPER-FLO 6" WIDE,
RECTANGULAR**

SERIES **76000**

SLOT WIDTH 3-1/2" X 5/16"
(-1 AND -2 SLOT WIDTH 1-11/16 X 1/4")

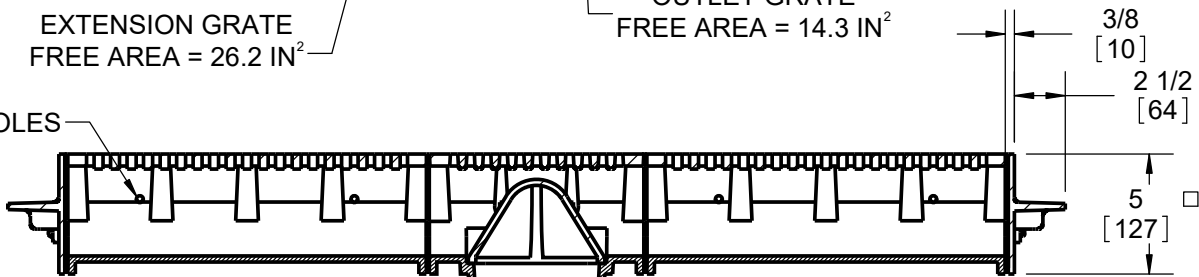
ASSEMBLY SHOWN AS EXAMPLE ONLY



EXTENSION GRATE
FREE AREA = 26.2 IN²

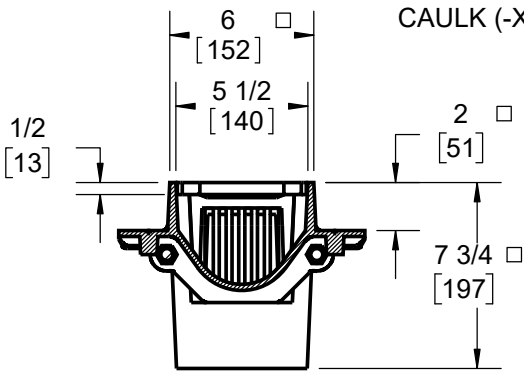
OUTLET GRATE
FREE AREA = 14.3 IN²

WEEPHOLES



CAULK (-X)

PIPE SIZE



IT IS RECOMMENDED THAT NO MORE THAN EIGHT (8) EXTENSION SECTIONS BE USED WITH ONE (1) OUTLET SECTION

□ ADD 1/4" FOR NIKALOY OR BRONZE TOP
ALSO ADD 1/4" TO OVERALL LENGTH

-EXT	EXTENSION SECTION
-1	SATIN FINISH NIKALOY TOP
-2	SATIN FINISH BRONZE TOP
-7	DUCTILE IRON GRATE
-30	FLASHING CLAMP DEVICE
-40	GALVANIZED CAST IRON PARTS
-VP	SECURED GRATE-VANDAL-PROOF SCREWS

	PIPE SIZE
	2"
	3"
	4"

FOR INSTALLATIONS EXPOSED TO VEHICULAR TRAFFIC, SPECIFY -VP SECURED GRATE OPTION

WARNING: Cancer and Reproductive Harm - www.P65Warnings.ca.gov

DATE OF LAST CHANGE: 10/04/18

DIMENSIONS ARE SUBJECT TO MANUFACTURERS TOLERANCES AND CHANGE WITHOUT NOTICE. WE CAN ASSUME NO RESPONSIBILITY FOR USE OF SUPERSEDED OR VOID DATA.

JOSAM
MICHIGAN CITY, INDIANA

NOTES