



DRINKING FOUNTAINS INSTALLATION/MAINTENANCE INSTRUCTIONS

A181CUSP Series Barrier Free, Fully Recessed, ADA Fountain & Cuspidor



A181400S-CUSP / A181400F-CUSP / A18040000-CUSP / A181400S / A181400F

**TECHNICAL ASSISTANCE TOLL FREE TELEPHONE NUMBER:
1.800.591.9360**

Technical Assistance Fax: 1.626.855.4894

NOTES TO INSTALLER:

1. Please leave this documentation with the owner of the fixture when finished.
2. Please read this entire booklet before beginning the installation.
3. Check your installation for compliance with plumbing, electrical and other applicable codes.

LIMITED WARRANTY - UNITED STATES & CANADA

Murdock warrants that its products are free from defects in material or workmanship under normal use and service for a period of one year from date of original shipment or for 18 months after the date of shipment from the factory, whichever comes first. Murdock's liability under this warranty shall be discharged solely by replacement or repair of defective material, provided Murdock is notified in writing within one year from date of shipment, F.O.B. Industry, California.

This warranty does not cover installation or labor charges and does not apply to materials, which have been damaged by other causes such as mishandling or improper care or abnormal use. The repair or replacement of the defective materials shall constitute the sole remedy of the Buyer and the sole remedy of Murdock under this warranty. Murdock shall not be liable under any circumstances for incidental, consequential or direct charges caused by defects in the materials, or any delay in the repair or replacement thereof. This warranty is in lieu of all other warranties expressed or implied. Product maintenance instructions are issued with each unit and disregard or non-compliance with these instructions will constitute an abnormal use condition and void the warranty. Stainless steel must be protected on job site during construction and must be properly maintained after the water has been introduced into the water cooler or drinking fountain, or Murdock's limited warranty is void.

LIMITED EXPORT WARRANTY - One year on parts only.

Murdock assumes no responsibility for use of void or suspended data. © Copyright Murdock, City of Industry, CA Member of Morris Group International. Please visit www.murdockmfg.com for most current specifications.

COMPLIES WITH
STANDARDS



Test rating conditions are compliant with ARI 1010.



Member of
MORRIS GROUP
INTERNATIONAL

MURDOCK
15125 Proctor Ave.
City of Industry, CA
91746 U.S.A.
Phone 800-591-9360
626-336-4561
Fax 626-855-4894

www.murdockmfg.com

7020-003-001

Date: 02/26/16



DRINKING FOUNTAINS

INSTALLATION/MAINTENANCE INSTRUCTIONS

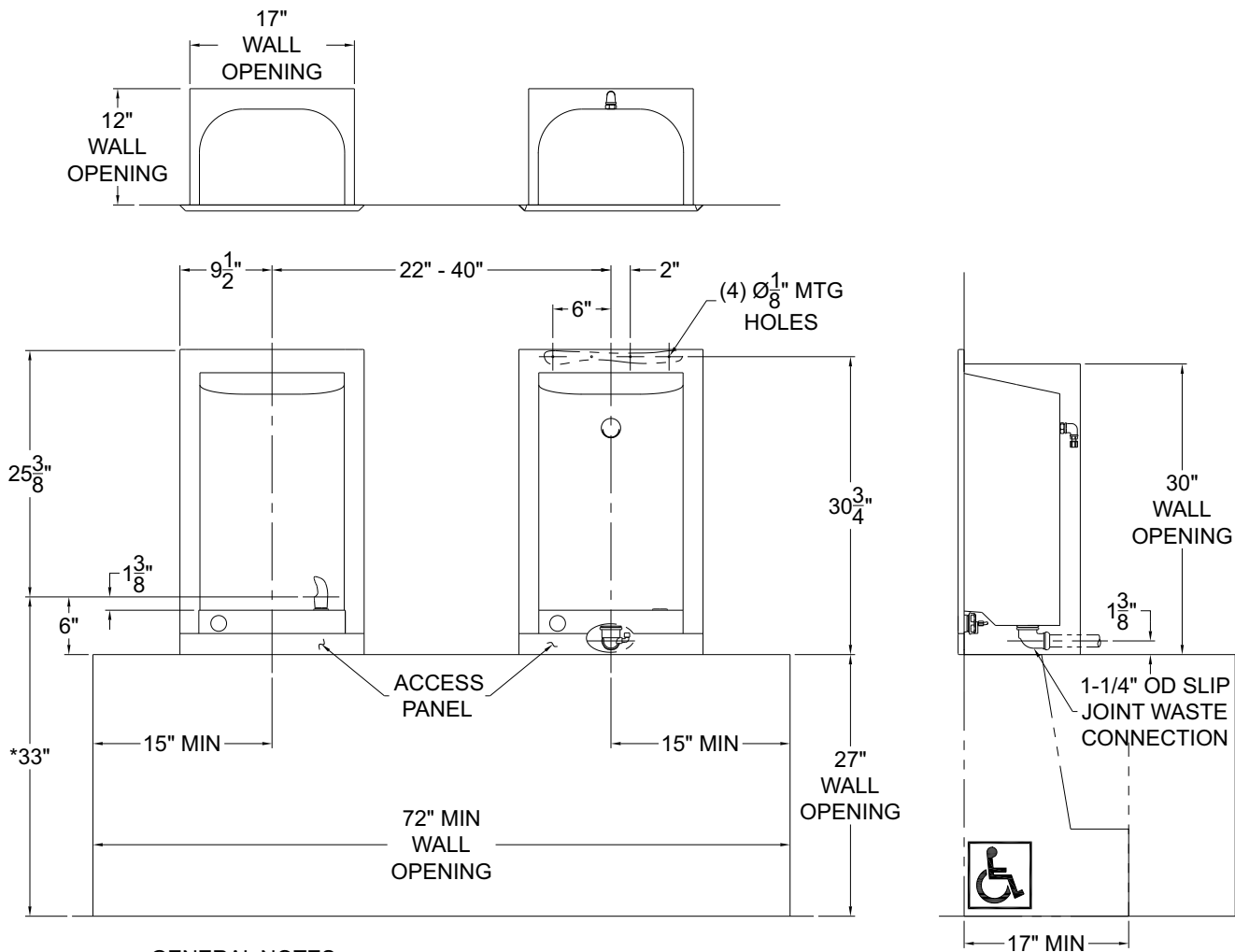
NOTICE

A dielectric coupling must be used to connect the drinking fountains to the water supply. A nonmetallic coupler is furnished with this drinking fountain to meet this requirement.

ROUGHING-IN AND DIMENSIONAL DRAWING

Prior to roughing consult with local, state, and federal codes for proper mounting height.

A181CUSP SERIES FULLY RECESSED ADA FOUNTAIN & CUSPIDOR



GENERAL NOTES:

1. ALL DIMENSIONS ARE IN INCHES.
- *2. DIMENSIONS SHOWN ARE FOR RECOMMENDED ADULT HEIGHT. ADJUST VERTICAL DIMENSIONS AS NECESSARY TO COMPLY WITH FEDERAL, STATE & LOCAL CODES.
3. STOP VALVE NOT PROVIDED.

NOTES: Adjust vertical dimensions as required to comply with federal, state, and local codes. Dimensions indicated are for ADA frontal approach installation. For Child ADA-ABA compliant parallel approach installation, decrease height of installation for spout to be 30" maximum above finished floor. Provide clear floor space as required. Adjust vertical dimensions as required to comply with federal, state, and local codes.



DRINKING FOUNTAINS

INSTALLATION/MAINTENANCE INSTRUCTIONS

IMPORTANT:

1. Waste P-Trap and Water Supply Service Stop Valve to be supplied by other in accordance with local codes.
2. Water supply is 3/8" copper tube (Fountain) & 1/2" male NPSM (Cuspidor). See Figure "E". Waste is 1-1/4" OD female slip joint connection.
3. Completely flush supply lines of all foreign debris before connecting to fixture. Optional water filter is available should there be problems from the water supply with taste, odor, color or sediment.
4. **WARNING:** Warranty is voided if installation is not made following current Acorn Engineering Company™ installation instructions and if components are assembled to the fixture that are not approved by Acorn Engineering Company™.
5. Fixtures operates within water pressure range of 20 to 105 psig. Acorn Engineering Company™ will not warranty fixtures damaged when connected to supply lines with flow pressure lower than 20 psig or higher than 105 psig. A pressure regulator must be furnished by others on supply line if inlet pressure is greater than 105 psig.



DRINKING FOUNTAINS

INSTALLATION/MAINTENANCE INSTRUCTIONS

INSTALLATION:

1. Install Mounting Brackets to the bottom and top of the Rough-In opening. **WARNING:** Mounting Brackets **MUST** be securely anchored and centered within the opening. See Figure B.
2. Install the Air Valve Assembly to the rear of the upper support brace as shown in Figure C. This Air Valve Assembly is supplied for the Cuspidor only.
3. Make sure that the air tube is connected to the pushbutton and valve (Cuspidor only).
4. Install the (4) provided captive nuts into the lower mounting bracket as shown in Figure D.
5. Hang the Fountain & Cuspidor on the Mounting Bracket making sure that bracket and flange from the Fountain & Cuspidor engage. The Fountain & Cuspidor must sit flush against the wall.
6. Anchor the Fountain & Cuspidor assembly to the bottom Mounting Bracket using the supplied #10-32 screws & washers. The screws need to pass through the tabs on both units and into the tabs of the lower frame bracket containing the captive nuts. Tighten the screws to pull the Fountain & Cuspidor flush with the wall.
7. Install water supply and drain as required per Figure A rough-in dimensions.
8. Thoroughly flush the supply lines, connect water supply to the Cuspidor.
9. Make up 1-1/4" OD P-Trap waste connection.

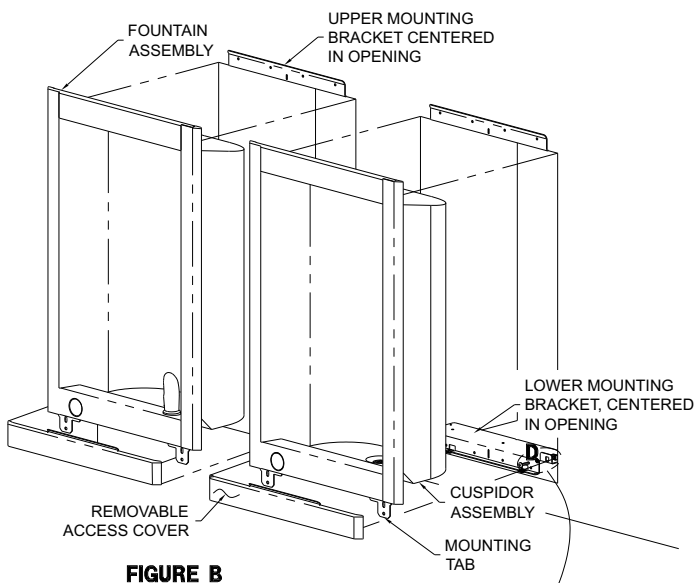


FIGURE B

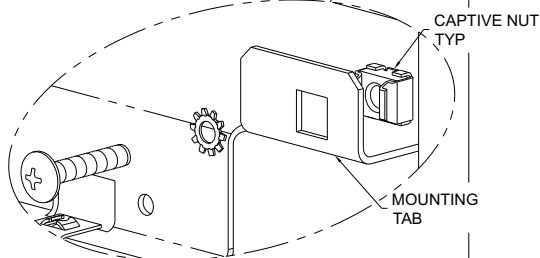


FIGURE D

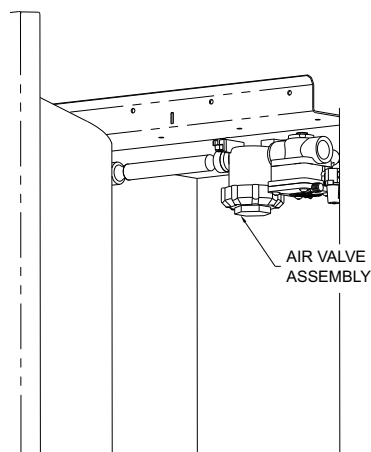


FIGURE C

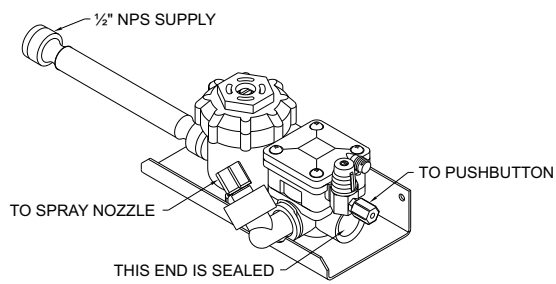


FIGURE E



DRINKING FOUNTAINS

INSTALLATION/MAINTENANCE INSTRUCTIONS

START UP:

1. Before assembling bottom cover to the Cuspidor, but after thoroughly flushing the supply line and connecting it to the fixture, turn on building water supply and check all connections for leaks.
2. Air within the Fountain & Cuspidor or the structure supply piping will cause an irregular outlet stream until purged out by incoming water.
3. Recheck all water and drain connections with water flowing through system.
4. Install Removable Access Covers to the Fountain & Cuspidor bottom Mounting Bracket, install the supplied #8-32 screws from the bottom of the Removable Access Cover.

Repairs must be made with Murdock Manufacturing Company parts only. Please order through your local representative or distributor. The phone number to locate your local representative is 1.800.591.9360.

CLEANING & MAINTENANCE GUIDE:

1. Periodically remove access panels and clean out in-line strainer.
2. Do NOT use harsh chemicals, abrasive or petroleum based cleaners. Use of these will void the Acorn warranty.
3. Exterior panels can be cleaned using mild household detergents or warm, soapy water. Extra care must be used cleaning chrome plated items and mirror finished stainless steel. They can scratch easily and should only be cleaned using a clean, soft cloth and mild soap with water or a mild glass cleaner.



DRINKING FOUNTAINS

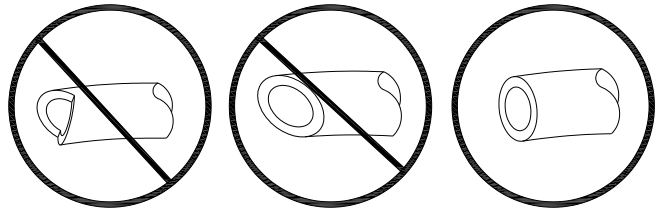
INSTALLATION/MAINTENANCE INSTRUCTIONS

PUSH-IN FITTING INSTALLATION

NOTE: FITTINGS AND TUBE SHOULD BE KEPT CLEAN, BAGGED AND UNDAMAGED PRIOR TO INSTALLATION.

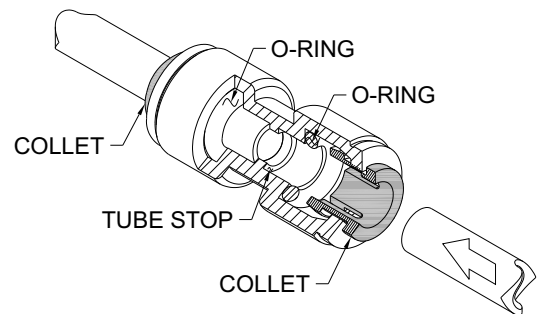
TO CUT TUBE:

Cut to fit length of 1/4" PE tubing and remove any burrs or sharp edges. Ensure that the outside diameter is free from score marks. Tube ends should be square.

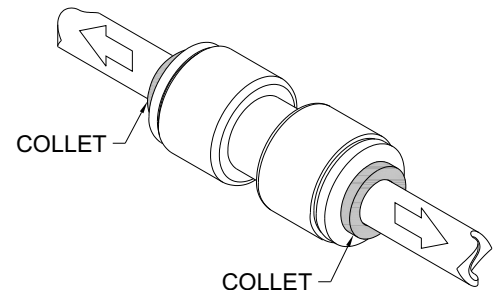


INSERTING THE TUBE:

1. Firmly and fully insert the tubing end into the push-in fitting up to the tube stop located approximately 1/2" deep.

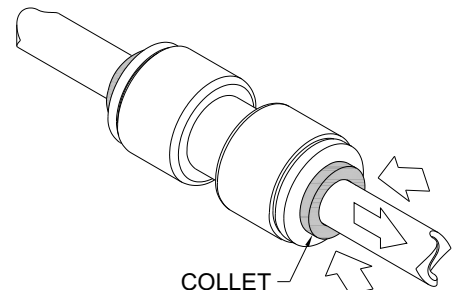


2. Pull on the fitted tubing to ensure it is secure. Tube should not come free from the fitting. Water test the connection assembly prior to leaving the site to ensure there are no leaks.



DISCONNECTING THE TUBE:

To disconnect the tube from the fitting ensure that the water line is depressurized. Push collet square towards the push-in fitting body and hold. While holding the collet in, pull on the PE tubing to remove from the push-in fitting.

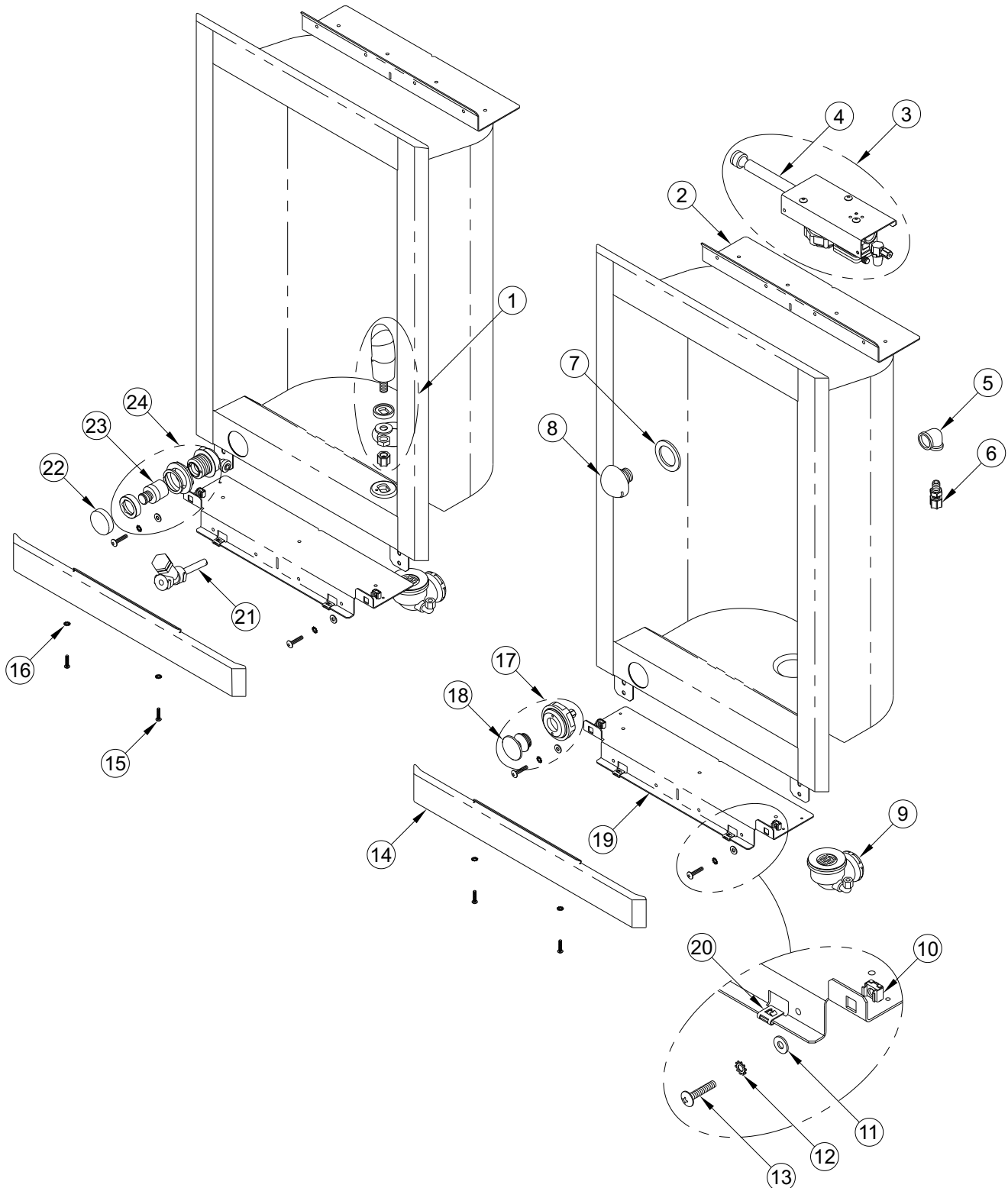




DRINKING FOUNTAINS

INSTALLATION/MAINTENANCE INSTRUCTIONS

PARTS BREAKDOWN DRAWING





DRINKING FOUNTAINS

INSTALLATION/MAINTENANCE INSTRUCTIONS

A181400S-CUSP PART LIST:

ITEM #	PART NUMBER	DESCRIPTION
1	7000-012-001	STAINLESS STEEL BUBBLER ASSEMBLY
	7000-099-002	LOW FLOW FLEX BUBBLER GRAY
2	7035-128-199	UPPER MOUNTING BRACKET
3	7035-412-001	CHECK STOP & AIR VALVE ASSY
4	2195-010-000	HOSE S/S BRAIDED
5	1720-010-000	REDUCING ELBOW
6	1895-002-001	1/4" COMPRES FITTING PLASTIC
7	0431-222-000	RUBBER WASHER
8	5200-151-001	SPRAY NOZZLE
9	4926-055-001	GRID STRAINER w/ CLOSE ELL ASSY.
10	0316-020-000	CAPTIVE NUT
11	0331-004-000	#10 FLAT WASHER
12	0321-011-000	#10 STAR WASHER
13	0116-006-000	#10-32 PHILLIPS SCREWS
14	7035-111-199	PANEL, LOWER, SHORT, ADA
15	0279-002-000	#8-32 SOCKET CAP BUTTON HD SCREW 3/4" LG
16	0322-001-000	#8 PLATED STAR LOCK WASHER (EXTERNAL)
17	7002-125-001	WELDED PUSHBUTTON/ AIR TROL VALVE ASSY
18	7002-125-002	PUSHBUTTON ASSY, AIR VALVE
19	7035-306-001	BRACKET, FRAME, LWR, FTN ONLY & ADA
20	7000-415-000	SELF RETAINING J NUT
21	7000-021-001	'Y' STRAINER ASSY
22	7000-091-001	PUSHBUTTON w/ HEX ASSY
23	7000-060-000	FLOW REGULATOR CARTRIDGE (0.5 GPM)
24	7000-050-001	VALVE ASSEMBLY

A181400S PART LIST:

ITEM#	PART NUMBER	DESCRIPTION
1	7000-012-001	STAINLESS STEEL BUBBLER ASSEMBLY
	7000-099-002	LOW FLOW FLEX BUBBLER GRAY
2	7035-128-199	UPPER MOUNTING BRACKET
3	N/A	N/A
4	N/A	N/A
5	N/A	N/A
6	N/A	N/A
7	N/A	N/A
8	N/A	N/A
9	4926-055-001	GRID STRAINER w/ CLOSE ELL ASSY
10	0316-020-000	CAPTIVE NUT
11	0331-004-000	#10 FLAT WASHER
12	0321-011-000	#10 STAR WASHER
13	0116-006-000	#10-32 PHILLIPS SCREWS
14	7035-111-199	PANEL, LOWER, SHORT, ADA
15	0279-002-000	#8-32 SOCKET CAP BUTTON HD SCREW 3/4" LG
16	0322-001-000	#8 PLATED STAR LOCK WASHER (EXTERNAL)
17	N/A	N/A
18	N/A	N/A
19	7035-306-001	BRACKET, FRAME, LWR, FTN ONLY & ADA
20	7000-415-000	SELF RETAINING J NUT
21	7000-021-001	'Y' STRAINER ASSEMBLY
22	7000-091-001	PUSHBUTTON w/ HEX ASSY
23	7000-060-000	FLOW REGULATOR CARTIRIDGE (0.5 GPM)
24	7000-050-001	VALVE ASSEMBLY



DRINKING FOUNTAINS

INSTALLATION/MAINTENANCE INSTRUCTIONS

A1804000-CUSP PART LIST:

ITEM#	PART NUMBER	DESCRIPTION
1	N/A	N/A
2	7035-128-199	UPPER MOUNTING BRACKET
3	7035-412-001	CHECK STOP & AIR VALVE ASSY
4	2195-010-000	HOSE S/S BRAIDED
5	1720-010-000	REDUCING ELBOW
6	1895-002-001	1/4" COMPRES FITTING PLASTIC
7	0431-222-000	RUBBER WASHER
8	5200-151-001	SPRAY NOZZLE
9	4926-055-001	GRID STRAINER w/ CLOSE ELL ASSY
10	0316-020-000	CAPTIVE NUT
11	0331-004-000	#10 FLAT WASHER
12	0321-011-00	#10 STAR WASHER
13	0116-006-000	#10-32 PHILLIP SCREWS
14	7035-111-199	PANEL, LOWER, SHORT, ADA
15	0279-002-000	#8-32 SOCKET CAP BUTTON HD SCREW 3/4" LG
16	0322-001-000	#8 PLATED STAR LOCK WASHER (EXTERNAL)
17	7002-125-001	WELDED PUSHBUTTON/ AIR TROL VALVE ASSY
18	7002-125-002	PUSHBUTTON ASSY, AIR VALVE
19	7035-306-001	BRACKET, FRAME, LWR FTN ONLY & ADA
20	7000-415-000	SELF RETAINING J NUT
21	N/A	N/A
22	N/A	N/A
23	N/A	N/A
24	N/A	N/A