

GYE14 Series
Wall Mounted Bottle Filler With Angled Drinking Fountain



GYE14-R SHOWN

TECHNICAL ASSISTANCE TOLL FREE TELEPHONE NUMBER:
1.800.591.9360

Technical Assistance Fax: 1.626.855.4894

IMPORTANT: INSTALLATION AND SITE PREP FOR FREEZE RESISTANT OPTIONS "-FRA" WILL DIFFER FROM STANDARD! REFER TO DESIGNATED FREEZE RESISTANT INSTALLATION DETAILS PRIOR TO ROUGH-IN AND FIXTURE INSTALL FOR -FRA SERIES OPTIONS. FOR ADDITIONAL INFORMATION VISIT: www.MurdockMfg.com/Resources OR CONTACT YOUR LOCAL SALES REPRESENTATIVE.

NOTES TO INSTALLER:

1. Please leave this documentation with the owner of the fixture when finished.
2. Please read this entire booklet before beginning the installation.
3. Check your installation for compliance with plumbing, electrical and other applicable codes.

LIMITED WARRANTY - UNITED STATES & CANADA

Murdock warrants that its products are free from defects in material or workmanship under normal use and service for a period of one year from date of shipment from the factory. Murdock's liability under this warranty shall be discharged solely by repair or replacement of defective material, provided Murdock is notified in writing within the time periods described above.

This warranty does not cover installation or labor charges and does not apply to materials, which have been damaged by other causes such as mishandling or improper care or abnormal use. The repair or replacement of the defective materials shall constitute the sole remedy of the Buyer and the sole remedy of Murdock under this warranty. Murdock shall not be liable under any circumstances for incidental, consequential or direct charges caused by defects in the materials, or any delay in the repair or replacement thereof. This warranty is in lieu of all other warranties expressed or implied. Product maintenance instructions are issued with each unit and disregard or non-compliance with these instructions will constitute an abnormal use condition and void the warranty. Stainless steel must be protected on jobsite during construction and must be properly maintained after the water has been introduced into the water cooler or drinking fountain, or Murdock's limited warranty is void.

LIMITED EXPORT WARRANTY - One year on parts only.

Murdock™ assumes no responsibility for use of void or superseded data. © Copyright Murdock Mfg., City of Industry, CA Member of Morris Group International. Please visit www.murdockmfg.com for most current specifications.

7109-611-001

A-07/27/2021

COMPLIES WITH
STANDARDS



NSF/ANSI 61



Federal
Public Law
111-380
(No Lead)



CHSC
116875

murdock[®]
SINCE 1853

Member of


MORRIS GROUP
INTERNATIONAL

15125 Proctor Ave, City of Industry,
CA, 91746 U.S.A.
Phone 800-591-9360
626-336-4561
Fax 626-855-4894

www.murdockmfg.com

GYE14 INSTALLATION INFORMATION

PRIOR TO INSTALLATION:

1. Read all installation instructions carefully, before proceeding.
2. Carefully remove fixture from packaging, preventing scratching or damage.
3. Units with -SO, -SOC option require six AA alkaline batteries (Not Provided).
4. Provide mounting surface, sufficient to support the fixture and loads on the fixture.
5. Provide rough-ins as shown on the roughing-in and dimensional drawing, including water supply and drain pipe.
6. Completely flush water supply lines of all foreign debris, before connecting to the fixture.

INSTALLATION: (see drainage & mounting roughing-in)

1. Create sufficient Blockout Area and mounting preparation according to Rough-In and Dimensional Drawing.
2. Mount and secure Wall Mounting Plate to wall horizontally level as shown in Rough-In and Technical Dimensions.
NOTE: Adjust height of bracket if fixture height required differs from dimensions shown.
WARNING: Wall Mounting Plate **MUST** be securely anchored to wall with fasteners sufficient to support a minimum pull-out rating of 1000lbs (454kg).
3. Remove Bottle Filler Bottom Access Panel and set aside in a safe place. Save the screws in a secure location for re-use in later stages of installation.
4. Prepare Fixture Assembly for mounting by ensuring all supply and waste connections are securely attached and ensuring that the 1/2"-13 x 2" Long Bolts (Provided) are loosely attached to the fixture.
5. Mount and secure Fixture Assembly to Wall Mounting Plate by making sure that all four 1/2"-13 x 2" Long Bolts (Provided) align and secure successfully.
6. Make up 3/8" OD Supply Connection to water supply, and 1-1/4" OD waste to P-Trap (by others). Attach Bottle Filler Bottom Access Panel using previously set-aside screws.

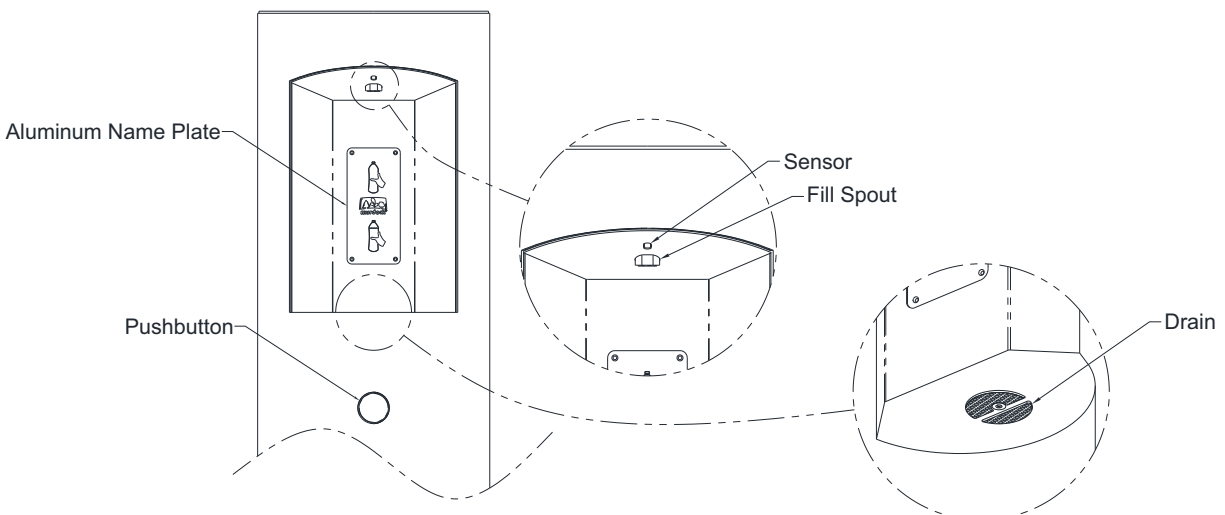
START UP:

Air within the bottle filler system or the structure supply piping will cause an irregular spout outlet stream until purged out by incoming water. Press and hold pushbutton until steady water stream is achieved.

OPERATION INSTRUCTIONS:

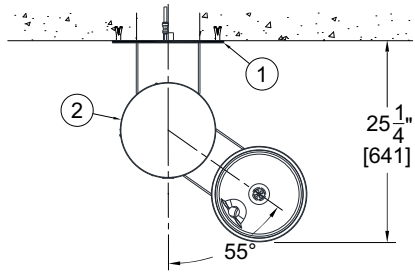
Hand operation: Hold container to be filled just below the filler tube in the center of the unit, then depress pushbutton. When the container is almost filled, release the pushbutton. Refer to Flow Adjustment detail on Parts Drawing if needed.

Sensor Operation: Hold container to be filled just below the sensor in the center of the filler spout and then move the container upward and water flow will start automatically. When the container is almost filled, lower the container below the sensor until the water stops flowing. (See label on the bottle filler)



GYE14 ROUGH-IN AND TECHNICAL DIMENSIONS

TOP VIEW



* Valve specifications:
Minimum/Maximum
Pressure 30 to 100 psi.



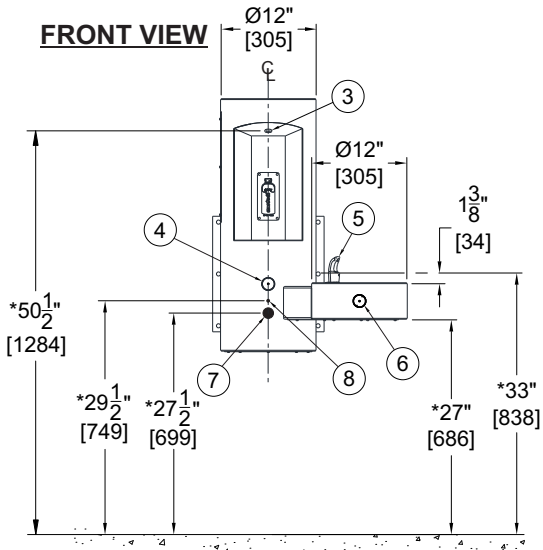
GENERAL NOTES:

1. 1/4" THICK MOUNTING PLATE
2. REMOVABLE ACCESS PANELS
3. BOTTLE FILLER SPOUT
4. BOTTLE FILLER PUSHBUTTON WITH CARTRIDGE VALVE
5. DRINKING BUBBLER
6. DRINKING FOUNTAIN PUSHBUTTON WITH CARTRIDGE VALVE

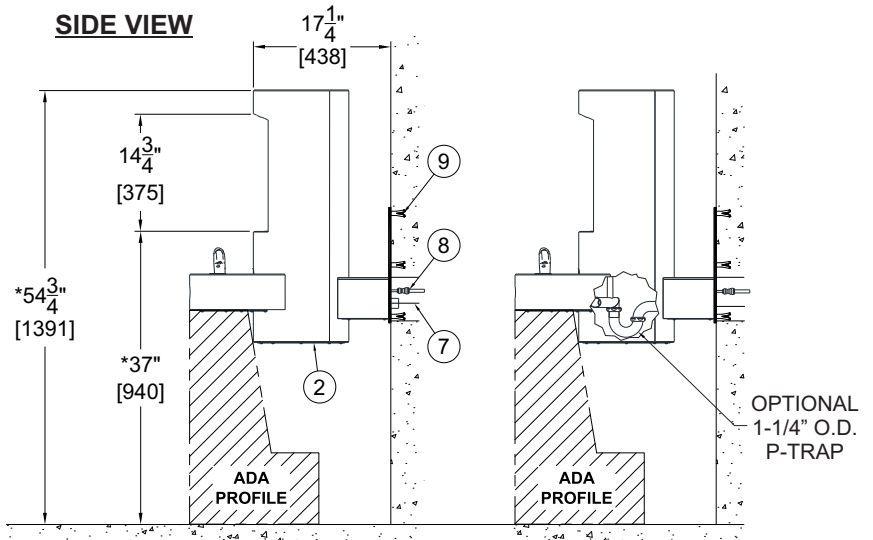
ROUGH-IN NOTES:

7. 1-1/4" O.D. WASTE OUTLET FOR P-TRAP BEHIND WALL (STANDARD) P-TRAP PROVIDED BY OTHERS
8. 3/8" O.D. SUPPLY CONNECTION
9. INSTALLER PROVIDED WALL ANCHORS AND ANCHORING HARDWARE

FRONT VIEW



SIDE VIEW



GYE14 SHOWN

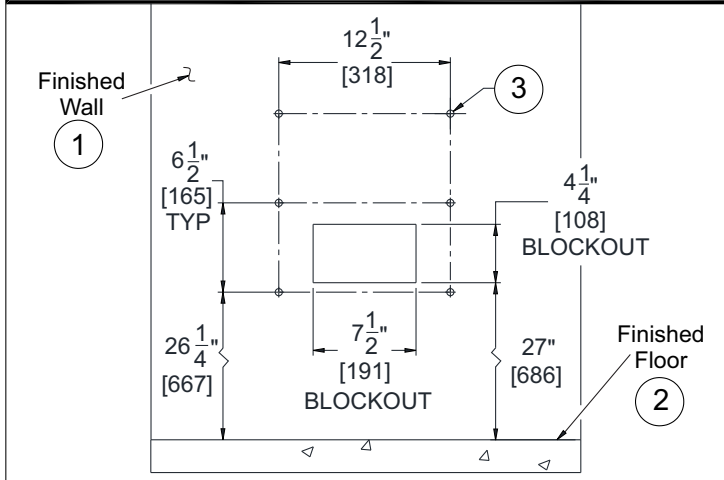
GENERAL NOTES:

1. ALL DIMENSIONS ARE IN INCHES [MM].
- *2. DIMENSIONS SHOWN ARE FOR RECOMMENDED ADULT HEIGHT. ADJUST VERTICAL DIMENSIONS AS NECESSARY TO COMPLY WITH FEDERAL, STATE, & LOCAL CODES.
3. STOP VALVE NOT PROVIDED.

Murdock Mfg.™ warrants that its products are free from defects in material or workmanship under normal use and service for a period of one year from date of shipment. Murdock's liability under this warranty shall be discharged solely by replacement or repair of defective material, provided Murdock™ is notified in writing within one year from date of shipment, F.O.B. Industry, California.

GYE14 FIXTURE MOUNTING AND ANCHORING

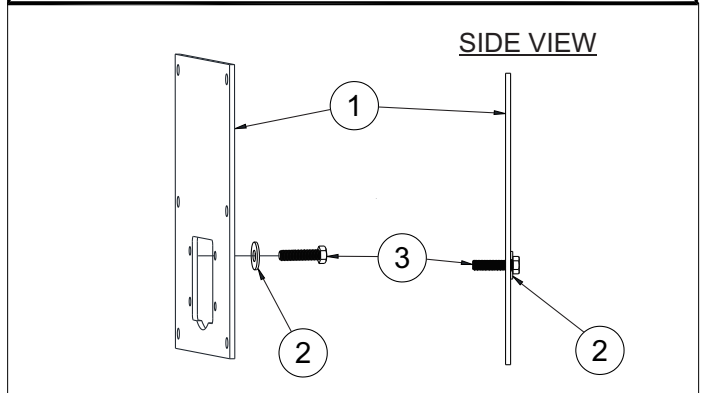
1 Make up Mounting Rough-In and Blockout Area into sufficient wall backing.



IMPORTANT: Industry standard wall backing for wall hung fixtures is required. Installer provided wall anchors and wall anchoring hardware must be appropriate for wall construction and have a minimum pull-out rating of 1000lbs (454kg).

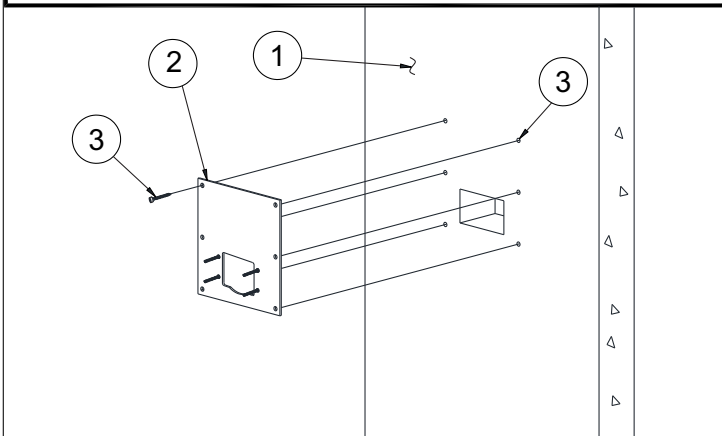
- ① Finished Wall
- ② Finished Floor
- ③ Wall Anchors (Not Provided)

2 Install 1/2"-13 x 2" Long Bolts (Provided) into the Mounting Plate from rear.



- ① Mounting Plate
- ② 1/2" Flat Washer
- ③ 1/2"-13 x 2" Long Bolts (Provided)

3 Secure Wall Mounting Plate to the Finished Wall using Installer Provided Hardware.

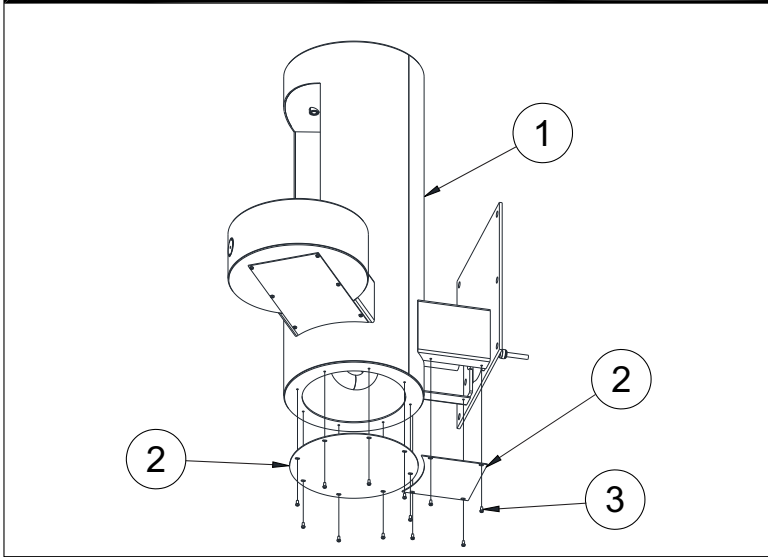


NOTE: It is recommended to level and plumb Wall Mounting Plate prior to mounting Fixture Assembly.


- ① Finished Wall
- ② Mounting Plate
- ③ Installer Provided Wall Fasteners/Anchors

GYE14 FIXTURE MOUNTING AND ANCHORING (CONTINUED)

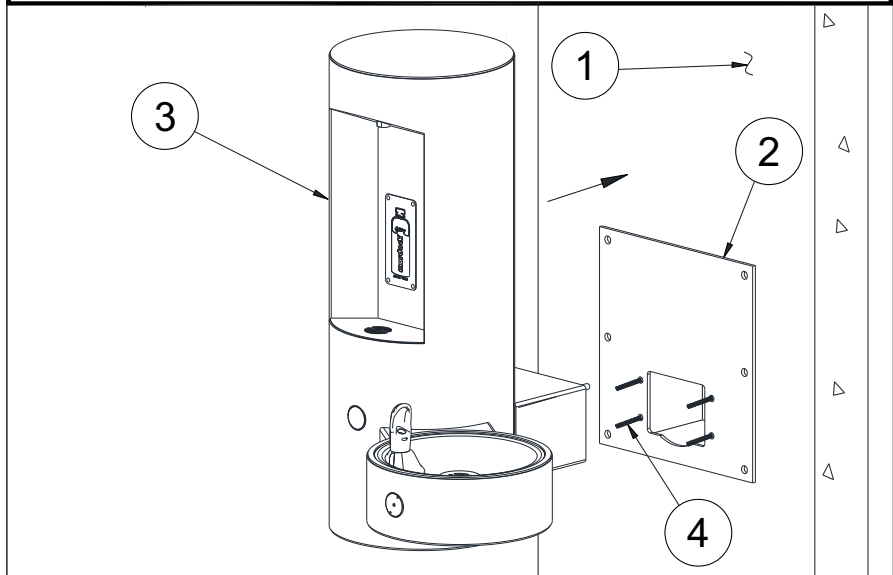
4 Remove Bottle Filler Bottom Access Panel and set aside for later Installation.



- 1 Fixture Assembly
- 2 Bottle Filler Bottom Access Panels
- 3 #10-32 UNF Hex Screws (Provided)

 **NOTE:** It is recommended to level and plumb the Fixture Assembly prior to Securing Fixture Assembly to Mounting Plate.

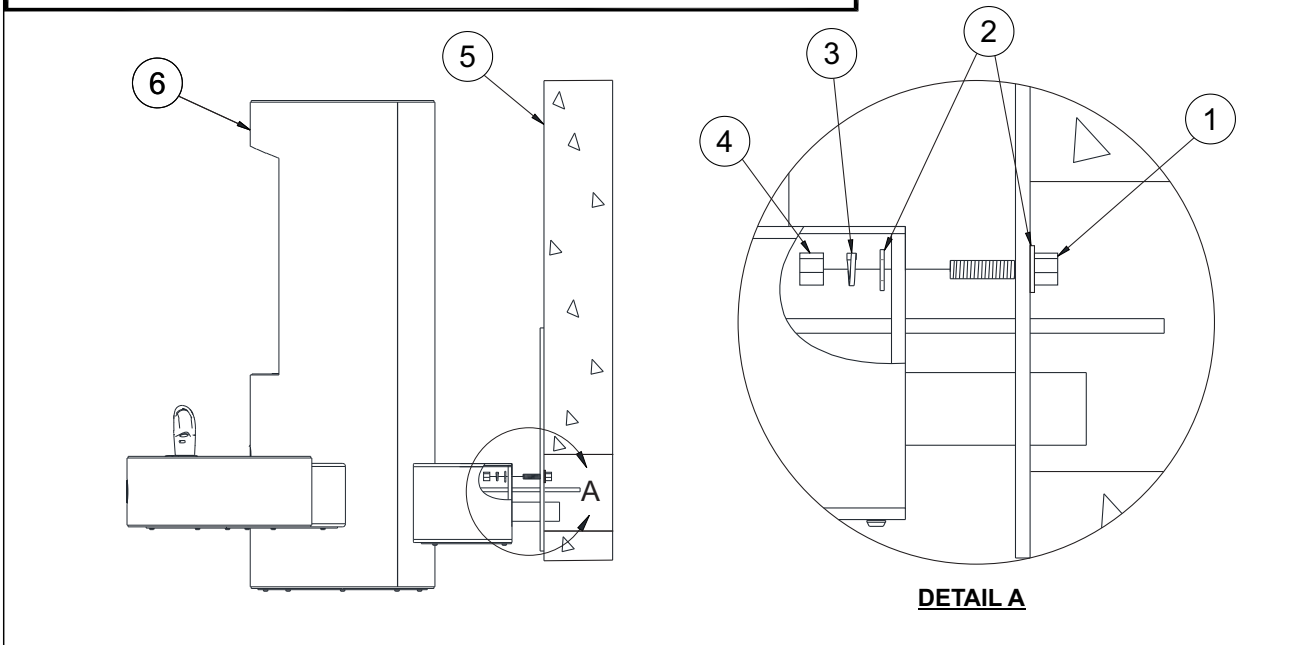
5 Mount Fixture Assembly onto the Mounting Plate by sliding unit over the 1/2"-13 x 2" Long Bolts.



- 1 Finished Wall
- 2 Mounting Plate
- 3 Fixture Assembly
- 4 1/2"-13 x 2" Long Bolts (Provided)

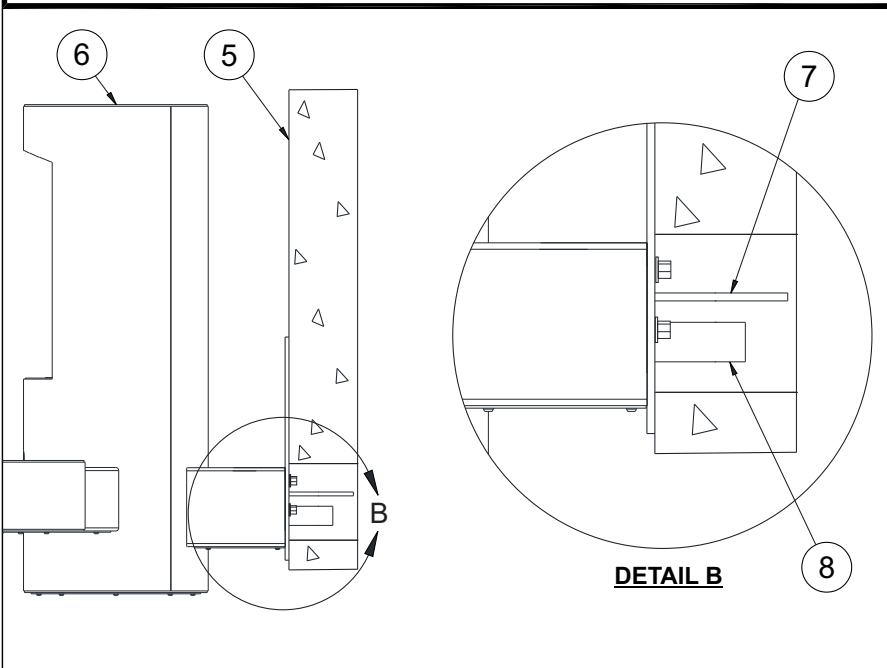
GYE14 FIXTURE MOUNTING AND ANCHORING (CONTINUED)

6 Secure Fixture Assembly to Mounting Plate using 1/2" Hardware (Provided).



7A

Make up 3/8" OD Supply Connection to water supply, and 1-1/4" OD waste to P-Trap (by others). Attach Bottle Filler Bottom Access Panel using previously set-aside screws.



**STANDARD
MODELS**

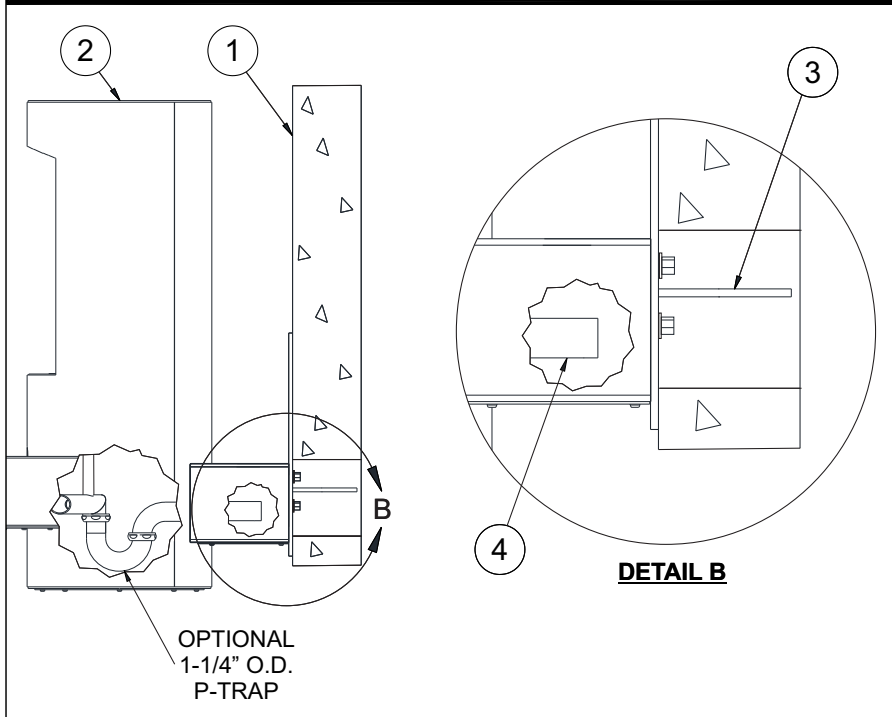
- 1 1/2"-13 x 2" Long Bolts (Provided)
- 2 1/2" Flat Washers (Provided)
- 3 1/2" Helical Lockwasher (Provided)
- 4 1/2"-13 UNC Hex Nut (Provided)
- 5 Finished Wall
- 6 Fixture Assembly
- 7 3/8" OD Supply Connection
- 8 1-1/4" OD Waste Outlet for P-Trap Behind Wall (Standard) P-Trap provided by others

NOTE: FOR MODELS WITH (-PT) P-TRAP OPTION, REFER TO STEP 7B.

GYE14-PT FIXTURE MOUNTING AND ANCHORING (CONTINUED)

7B

Make up 3/8" OD Supply Connection to water supply, and 1-1/4" OD Optional P-Trap Waste Outlet (Provided). Attach Bottle Filler Bottom Access Panel using previously set-aside screws.



**MODELS WITH
-PT OPTION**

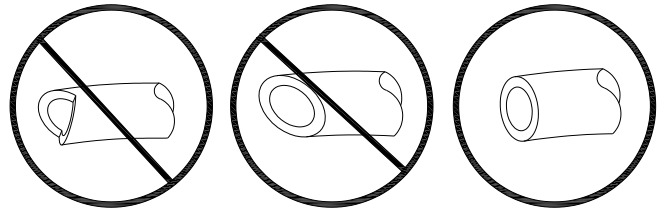
- ① Finished Wall
- ② Fixture Assembly
- ③ 3/8" OD Supply Connection
- ④ 1-1/4" OD Waste Outlet with Optional P-Trap (Provided)

PUSH-IN FITTING INSTALLATION

NOTE: FITTINGS AND TUBE SHOULD BE KEPT CLEAN, BAGGED AND UNDAMAGED PRIOR TO INSTALLATION.

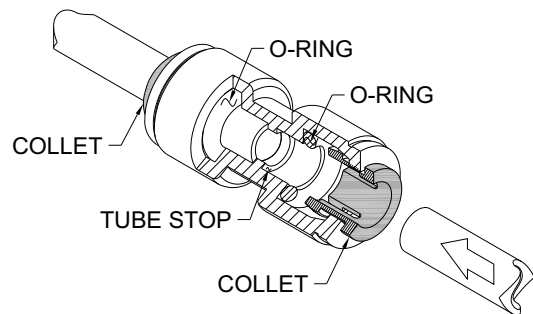
TO CUT TUBE:

Cut to fit length of 1/4" PE tubing and remove any burrs or sharp edges. Ensure that the outside diameter is free from score marks. Tube ends should be square.

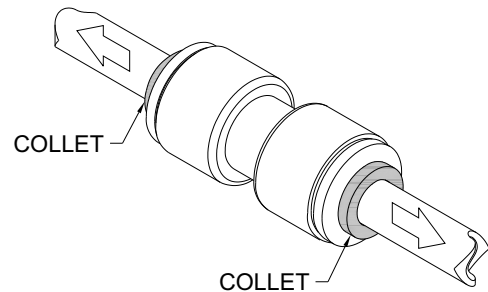


INSERTING THE TUBE:

1. Firmly and fully insert the tubing end into the push-in fitting up to the tube stop located approximately 1/2" deep.

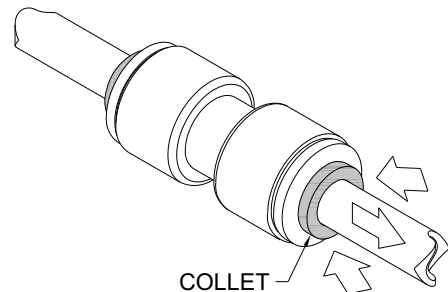


2. Pull on the fitted tubing to ensure it is secure. Tube should not come free from the fitting. Water test the connection assembly prior to leaving the site to ensure there are no leaks.



DISCONNECTING THE TUBE:

To disconnect the tube from the fitting ensure that the water line is depressurized. Push collet square towards the push-in fitting body and hold. While holding the collet in, pull on the PE tubing to remove from the push-in fitting.



GYE14 TROUBLESHOOTING AND MAINTENANCE

TROUBLESHOOTING:

1. RESTRICTED OR NO WATER FLOW:

- a. Ensure Water Supply service stop valve is fully open.
- b. Verify minimum 20 psig supply line flow pressure.
- c. Check for twist or kinks in spout tubing.
- d. Check the water inlet “Y” strainer. Sediment from the main supply can get trapped in the screen along with installation materials such as pipe dope and flux. The screen should be cleaned and checked on a regular basis and replace if needed.
- e. Flow control in solenoid valve outlet elbow clogged remove & clean.

SENSOR TROUBLESHOOTING:

1. IF LIGHT WITHIN SENSOR DOES NOT FLASH ONCE WHEN USER IS WITHIN RANGE:

- a. Verify 9VDC output of battery pack.
- b. Replace defective batteries.
- c. Sensor in “Security Mode” after 30 seconds of constant detection. Remove source of detection and wait 30 second before checking.
- d. Sensor is picking up a highly reflective surface. Eliminate cause of reflection and wait 30 seconds before checking.

2. IF LIGHT WITHIN SENSOR LENS FLASHES ONCE WHEN THE USER IS WITHIN RANGE:

- a. Repair bad connection from sensor to solenoid.
- b. There is debris or scale in the solenoid assembly. Remove solenoid, pull out plunger and spring. Clean with scale remover solution.
- c. There is debris or scale in center or two holes in convolution of the water diaphragm. Remove and clean.

CLEANING & MAINTENANCE GUIDE:

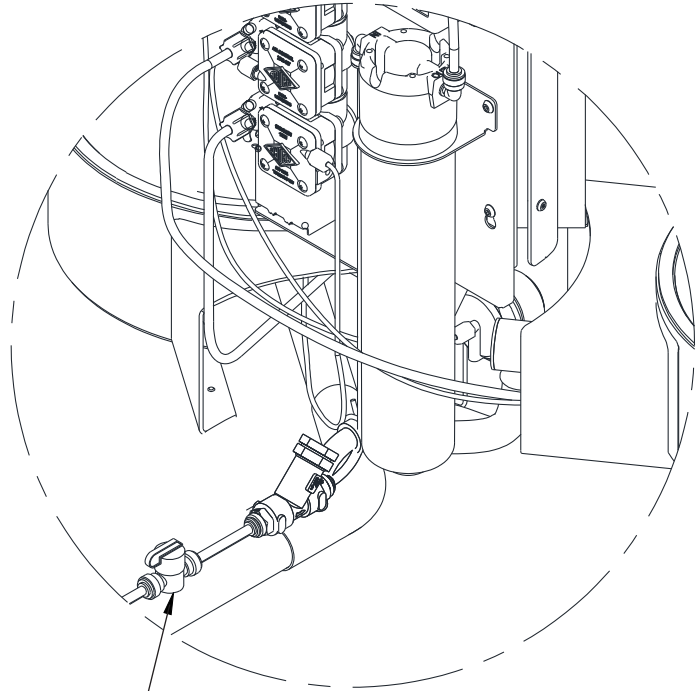
For Powder coated units: Units should be cleaned using a mild soap solution with a sponge or cotton cloth. Wipe down surfaces then rinse with clean water.

For Stainless steel units:

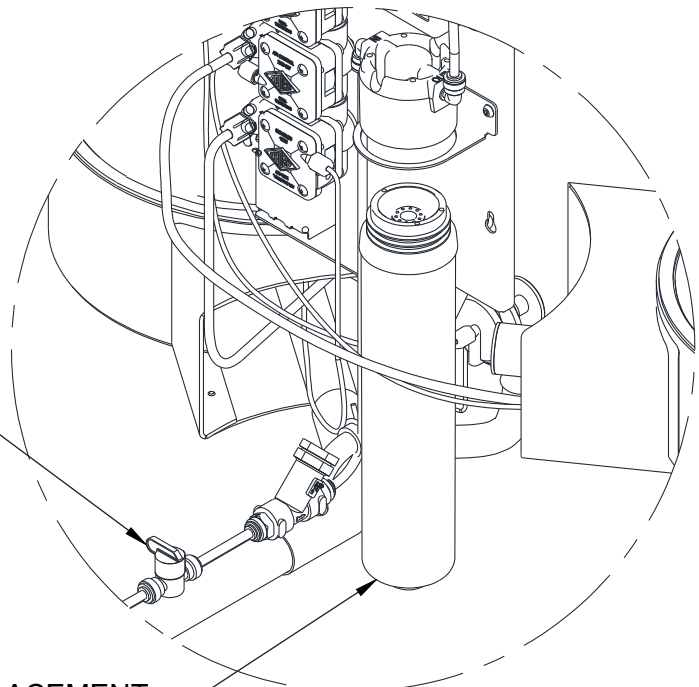
1. To remove water spots or rust spots, stainless steel cleaner/polish on a cloth is recommended.
2. If there are stubborn spots or if you wish to treat a scratch, synthetic abrasive general purpose pads such as scotch brite are recommended.
3. Apply stainless steel cleaner/polish to the synthetic abrasive pads and carefully rub the panel with the grain.
4. DO NOT use harsh chemicals, abrasive or petroleum based cleaners. Use of these will void the Murdock warranty. DO NOT use abrasives on powder coated units.
5. Stainless steel should be kept clean at all times. If a coating of stainless steel cleaner/polish is maintained, stainless steel surfaces will retain their new, clean & polished appearance indefinitely.
6. Periodically remove access panel of cooler and clean out inline “Y” strainer

GYE14 FILTER CARTRIDGE REPLACEMENT

1. Loosen and remove bottle filler side access panel, which allows access to the filter. Turn the inlet valve 1/4 turn clockwise to close.
2. Raise the filter assembly straight up about six inches and while holding the cap firmly, turn the replaceable cartridge filter counterclockwise to remove.
3. Remove and replace the cartridge turning clockwise to secure.
5. Turn inlet valve 1/4 turn counterclockwise to open and test for leaks and proper operation before re-attaching bottle fillers side access panel.



WATER INLET VALVE OPEN



WATER INLET VALVE CLOSED

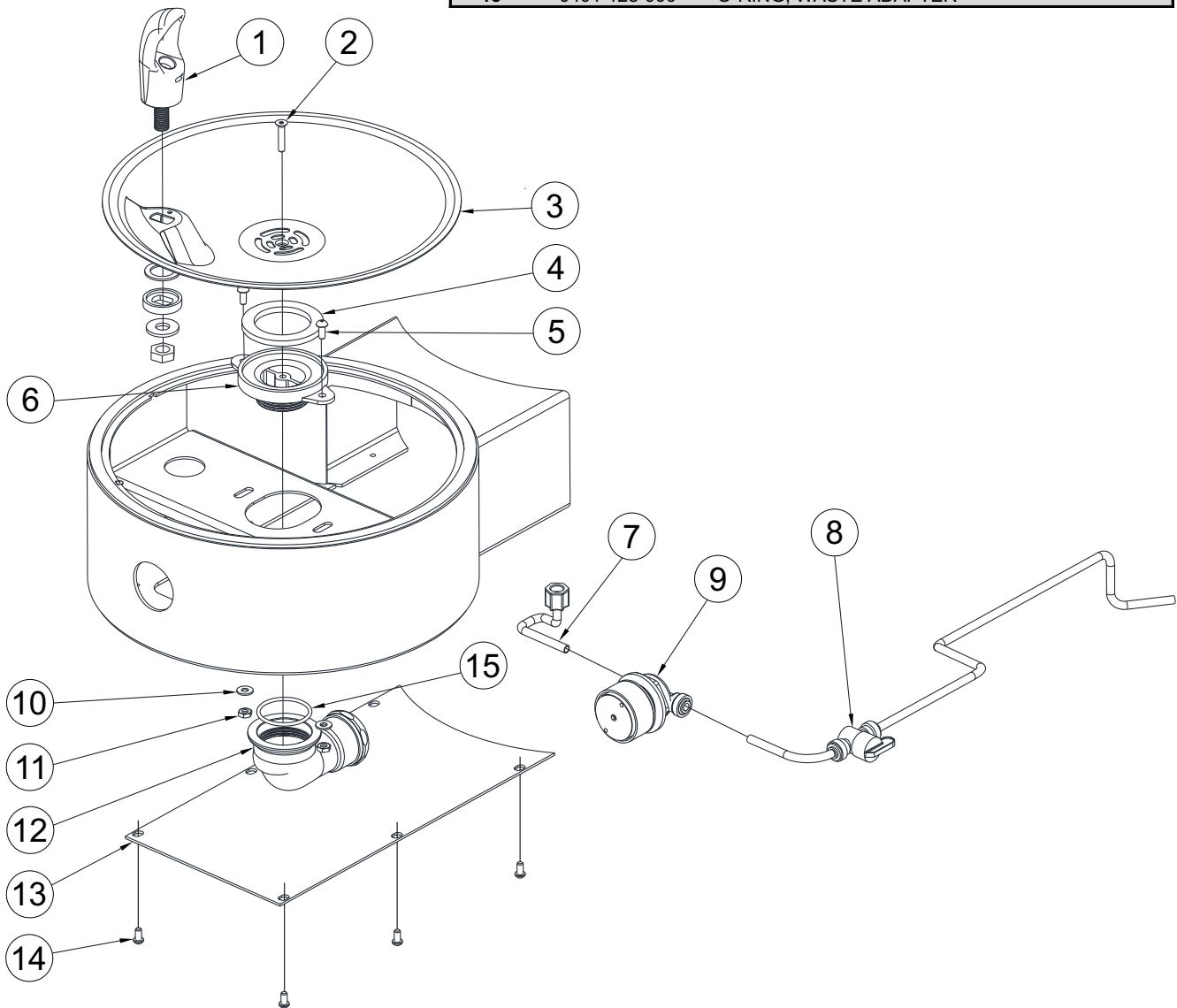
REPLACEMENT CARTRIDGE

GYE14 DRINKING

FOUNTAIN ASSEMBLY:

Extended Arm, Pushbutton
(Standard), Repair Parts

ITEM	PART NUMBER	DESCRIPTION
1	7000-012-001	DRINKING BUBBLER ASSY, 7/16-20 UNF, SS
2	0152-010-000	#10-32 UNF x 1" LONG HEX FLAT HEAD SCREW
3	7007-011-001	11" DIAMETER ROUND BOWL, SS
4	7000-006-000	FLAT FOAM ADAPTER GASKET
5	0116-003-000	#10-32 UNF x 1/2" LONG PHILLIPS HEAD SCREW
6	7000-005-199	1-1/4" NPSM DRAIN ADAPTER
7	2169-000-000	1/4" OD LDPE TUBING
8	7000-420-000	1/4" TURN SHUTOFF VALVE
9	7000-065-001	-CV RECESSED PB W/ CARTRIDGE VALVE ASSY
10	0331-004-000	#10 FLAT WASHER, SS
11	0302-004-000	#10-32 UNF HEX NUT, SS
12	7000-017-001	1-1/4" CLOSE ELBOW, SLIP JOINT
13	JSMBF108-199	ACCESS PLATE, ROUND SIDE MOUNT
14	0112-001-000	#10-32 UNF x 3/8" LONG HEX SCREW
15	0401-128-000	O-RING, WASTE ADAPTER



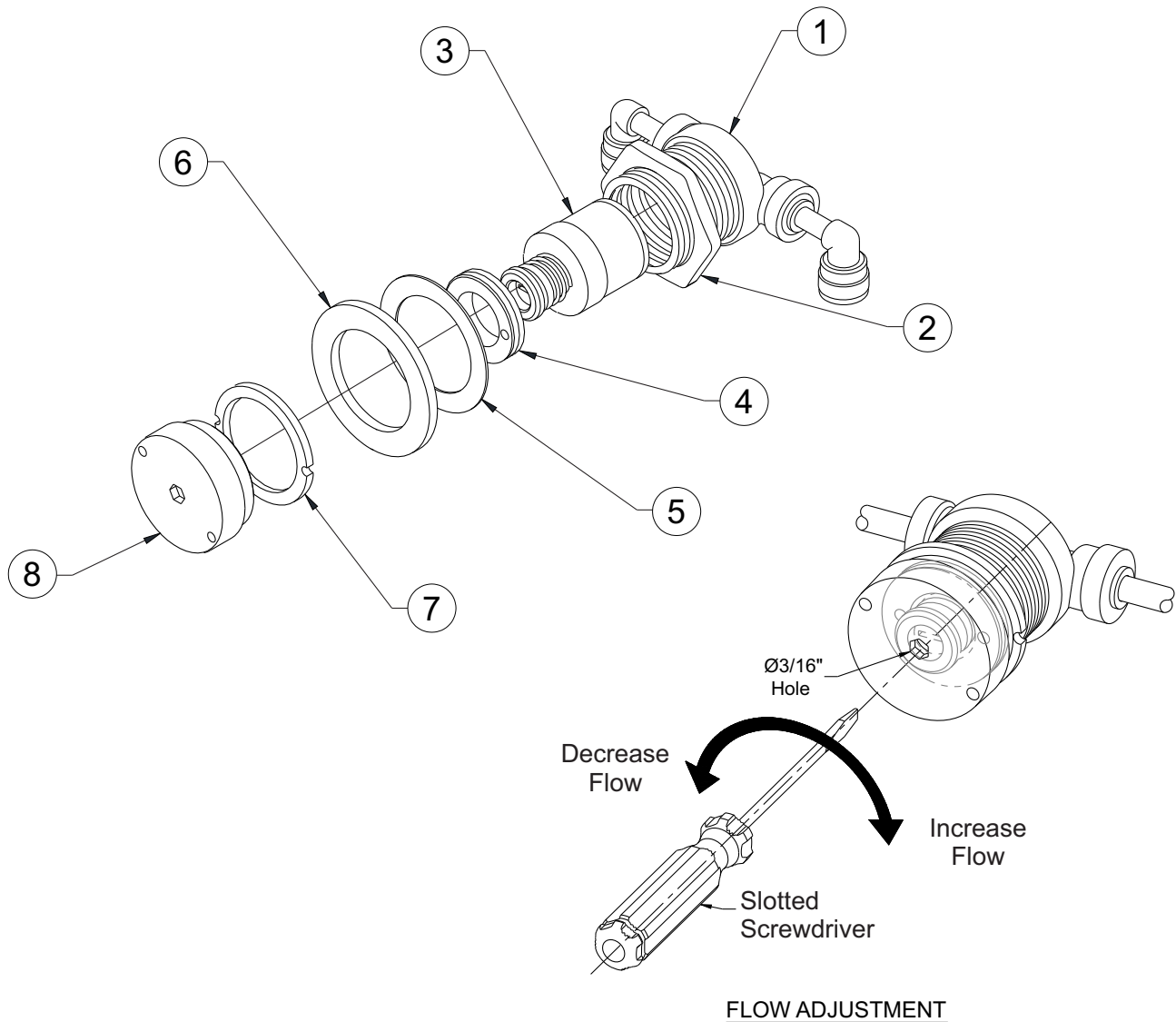
GYE14 DRINKING FOUNTAIN

CARTRIDGE VALVE

PUSHBUTTON ASSEMBLY:

Repair Parts

ITEM	PART NUMBER	DESCRIPTION
1	7000-050-000	REGULATOR VALVE BODY
2	7000-053-199	JAM NUT, 1-1/4"
3	7000-060-000	FLOW REGULATOR CARTRIDGE (0.5 GPM)
4	7000-051-000	RETAINING NUT, VALVE
5	0411-022-000	FIBER RING 1-3/4" x 1-1/4"
6	0431-222-000	RUBBER GASKET
7	7000-063-199	BRASS RETAINER RING
8	7000-091-001	RECESSED PUSH BUTTON W/ HEX ASSY

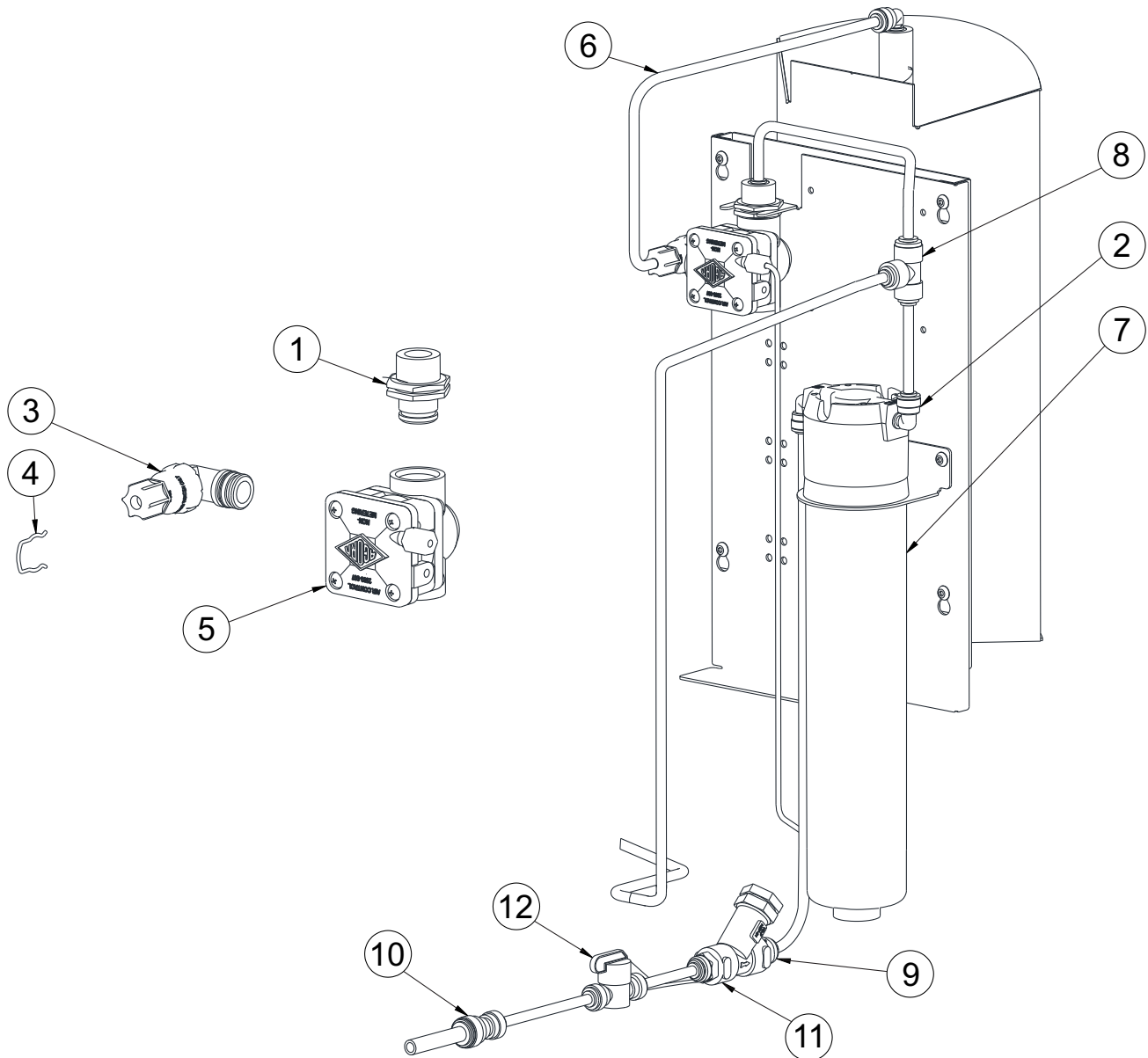


GYE14 BOTTLE FILLER

VALVE ASSEMBLY:

Pushbutton (Standard),
Repair Parts

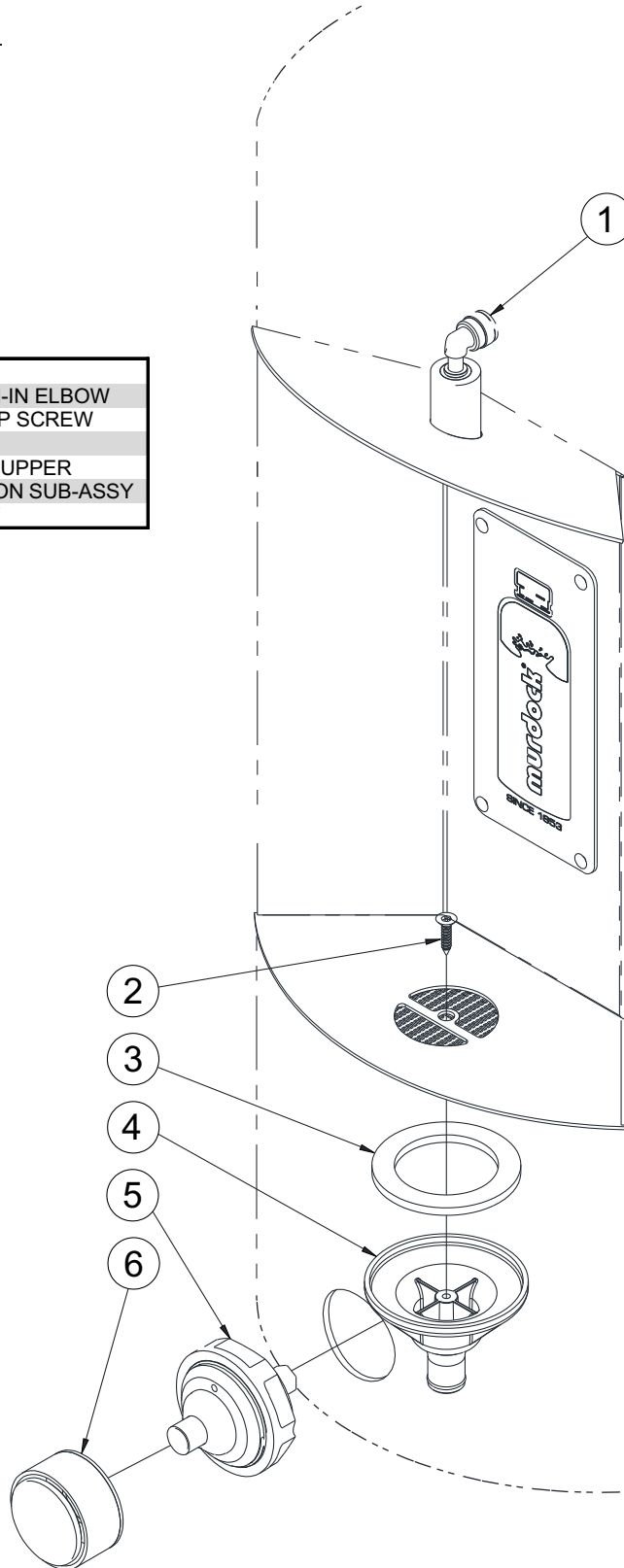
ITEM	PART NUMBER	DESCRIPTION
1	2800-108-001	1/4" JACO INLET ADAPTER ASSEMBLY
2	1895-709-000	1/4" OD x 1/4" OD STEM PUSH-IN ELBOW
3	2570-051-001	1/4" OD PLASTIC ELBOW ASSEMBLY
4	0326-100-000	RETAINING CLIP, AIR-CONTROL VALVE
5	2570-102-001	RH VALVE BODY CLOSED END ASSEMBLY
6	2169-000-000	1/4" OD LLDPE TUBING (BLUE)
7	7012-313-000	WF1 FILTER 1500 GALLON CARTRIDGE
8	1895-710-000	1/4" PUSH-IN UNION TEE
9	7000-021-000	1/4" NPT "Y" STRAINER
10	1895-123-000	1/4" x 3/8" OD TUBE UNION PUSH-IN CON
11	1895-125-000	1/4" OD x 1/4" NPT PUSH-IN FITTING
12	7000-420-000	1/4" OD PUSH-IN 1/4" TURN SHUT-OFF VALVE



GYE14 BOTTLE FILLER ASSEMBLY:

Pushbutton (Standard), Repair Parts

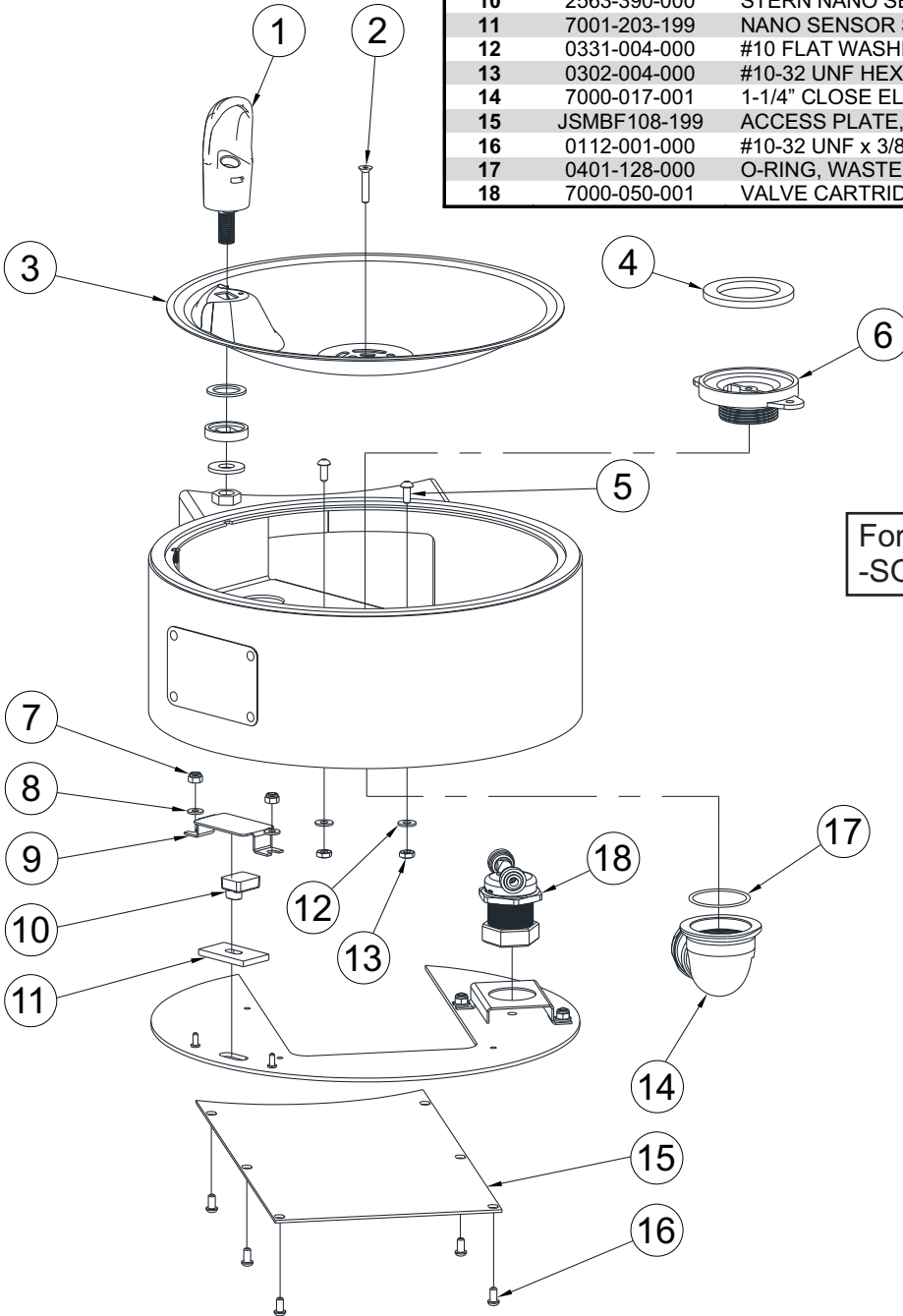
ITEM	PART NUMBER	DESCRIPTION
1	1895-709-000	1/4" OD x 1/4" OD STEM PUSH-IN ELBOW
2	0124-033-000	#8 x 3/4" LONGHD SELF-TAP SCREW
3	7000-006-000	DRAIN ADAPTER GASKET
4	7003-182-000	ACCESS DRAIN, BI-LEVEL, UPPER
5	2566-050-002	BACK OUTLET PUSHBUTTON SUB-ASSY
6	7002-125-002	PUSHBUTTON WELD ASSY



**GYE14-SOC DRINKING
FOUNTAIN ASSEMBLY:**

Extended Arm, Optional Sensor
Operation, Repair Parts

ITEM	PART NUMBER	DESCRIPTION
1	7000-012-001	DRINKING BUBBLER ASSY, 7/16-20 UNF, SS
2	0152-010-000	#10-32 UNF x 1" LONG HEX FLAT HEAD SCREW
3	7007-011-001	11" DIAMETER ROUND BOWL, SS
4	7000-006-000	FLAT FOAM ADAPTER GASKET
5	0116-003-000	#10-32 UNF x 1/2" LONG PHILLIPS HEAD SCREW
6	7000-005-199	1-1/4" NPSM DRAIN ADAPTER
7	0308-009-000	#8-32 NYLON LOCKNUT
8	0331-023-000	SS WASHER
9	7003-958-199	NANO SENSOR HOLD DOWN BRACKET
10	2563-390-000	STERN NANO SENSOR, BLUE 10 SEC
11	7001-203-199	NANO SENSOR SPACER W/ BUSHING
12	0331-004-000	#10 FLAT WASHER, SS
13	0302-004-000	#10-32 UNF HEX NUT, SS
14	7000-017-001	1-1/4" CLOSE ELBOW, SLIP JOINT
15	JSMBF108-199	ACCESS PLATE, ROUND SIDE MOUNT
16	0112-001-000	#10-32 UNF x 3/8" LONG HEX SCREW
17	0401-128-000	O-RING, WASTE ADAPTER
18	7000-050-001	VALVE CARTRIDGE ASSEMBLY



For models with optional
-SOC Sensor Operation.

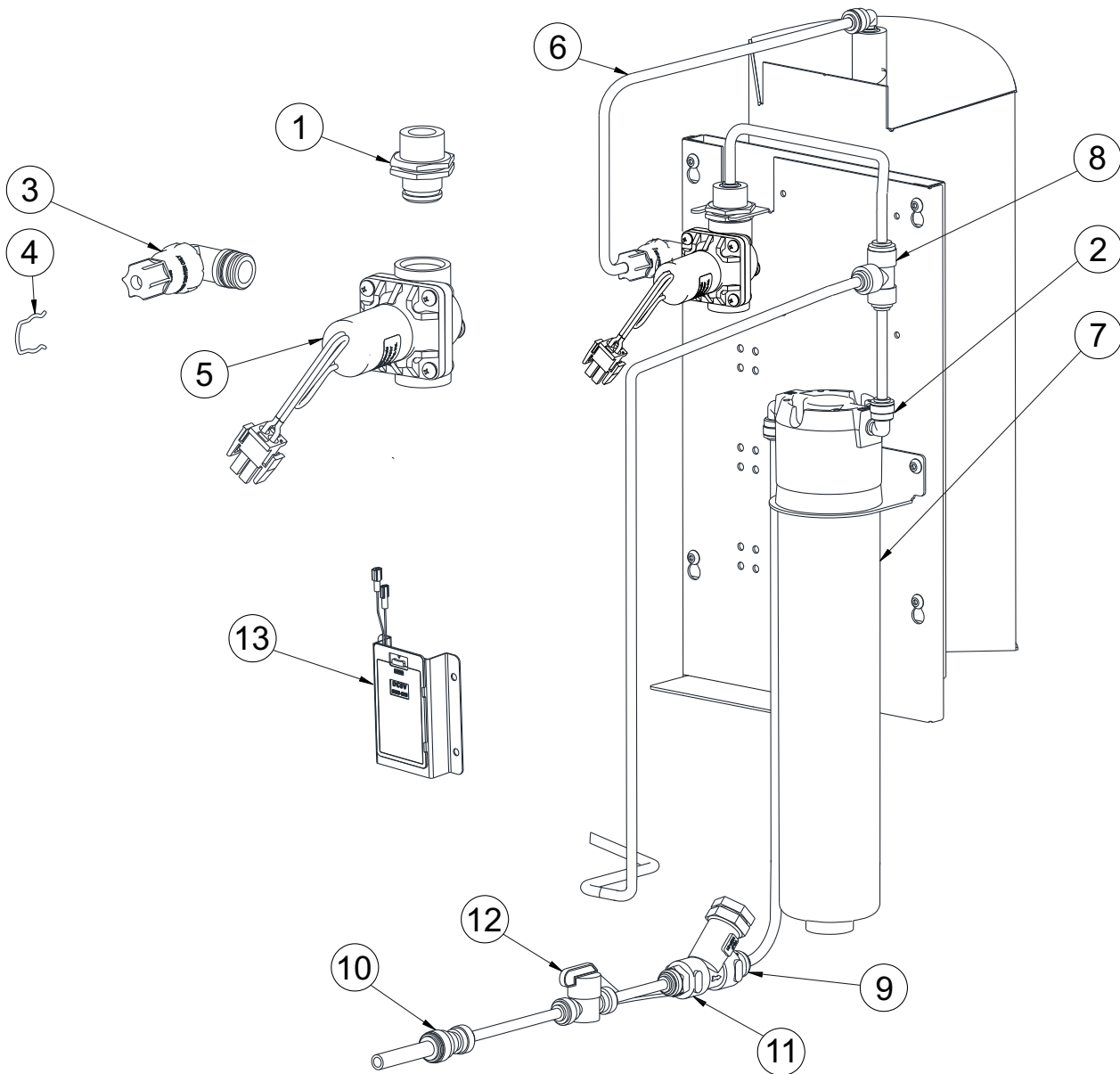
GYE14-SO BOTTLE FILLER

VALVE ASSEMBLY:

Optional Sensor Operation,
Repair Parts

For models with optional
-SO Sensor Operation.

ITEM	PART NUMBER	DESCRIPTION
1	2800-108-001	1/4" JACO INLET ADAPTER ASSEMBLY
2	1895-709-000	1/4" OD x 1/4" OD STEM PUSH-IN ELBOW
3	2570-051-001	1/4" OD PLASTIC ELBOW ASSEMBLY
4	0326-100-000	RETAINING CLIP, AIR-CONTROL VALVE
5	2570-130-001	9VDC SOLENOID VALVE ASSEMBLY
6	2169-000-000	1/4" OD LLDPE TUBING (BLUE)
7	7012-313-000	WF1 FILTER 1500 GALLON CARTRIDGE
8	1895-710-000	1/4" PUSH-IN UNION TEE
9	7000-021-000	1/4" NPT "Y" STRAINER
10	1895-123-000	1/4" x 3/8" OD TUBE UNION PUSH-IN CON
11	1895-125-000	1/4" OD x 1/4" NPT PUSH-IN FITTING
12	7000-420-000	1/4" OD PUSH-IN 1/4" TURN SHUT-OFF VALVE
13	0710-357-001	AA 6-PACK BATTERY HOLDER ASSY



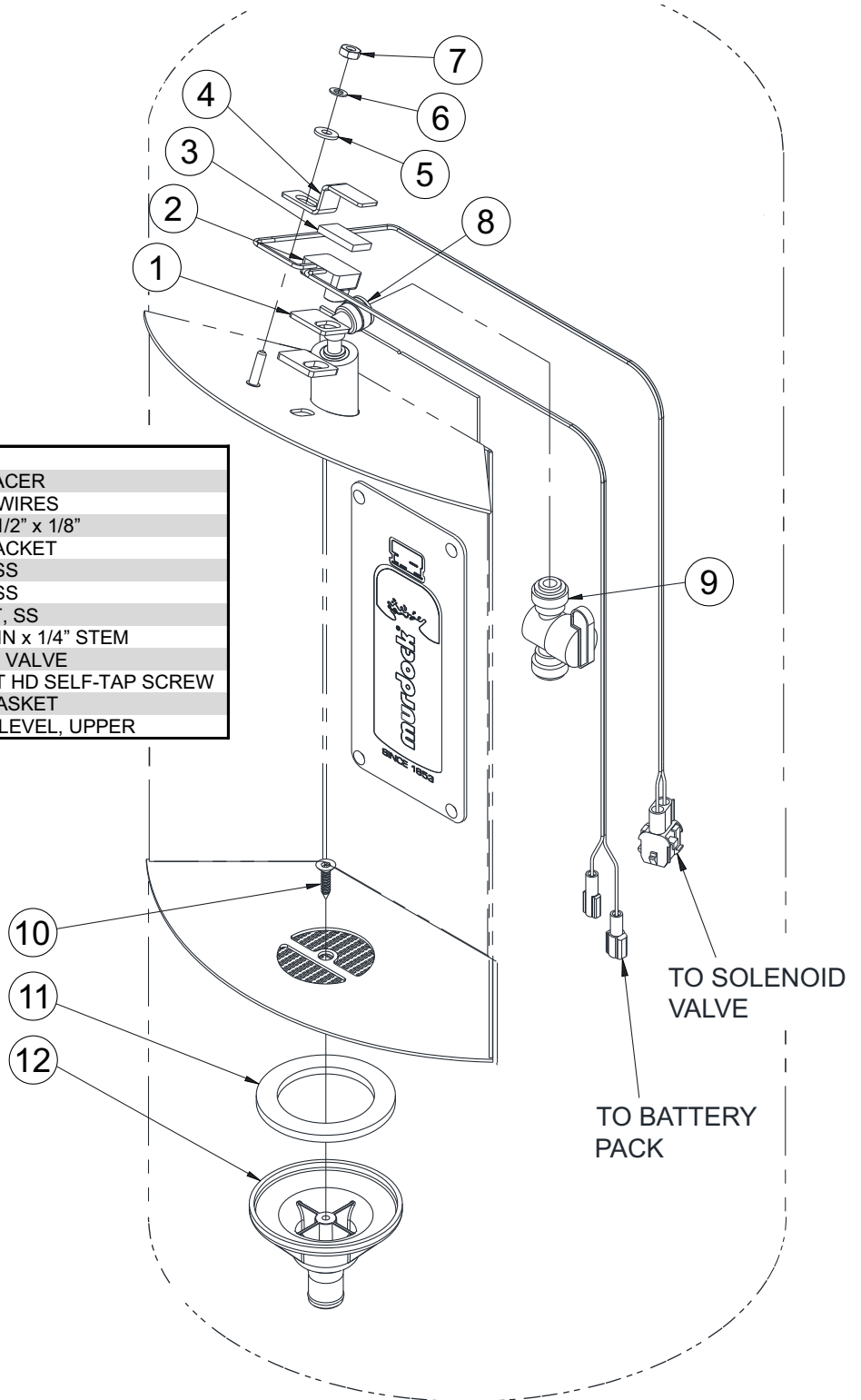
GYE14-SO BOTTLE

FILLER ASSEMBLY:

Optional Sensor Operation,
Repair Parts

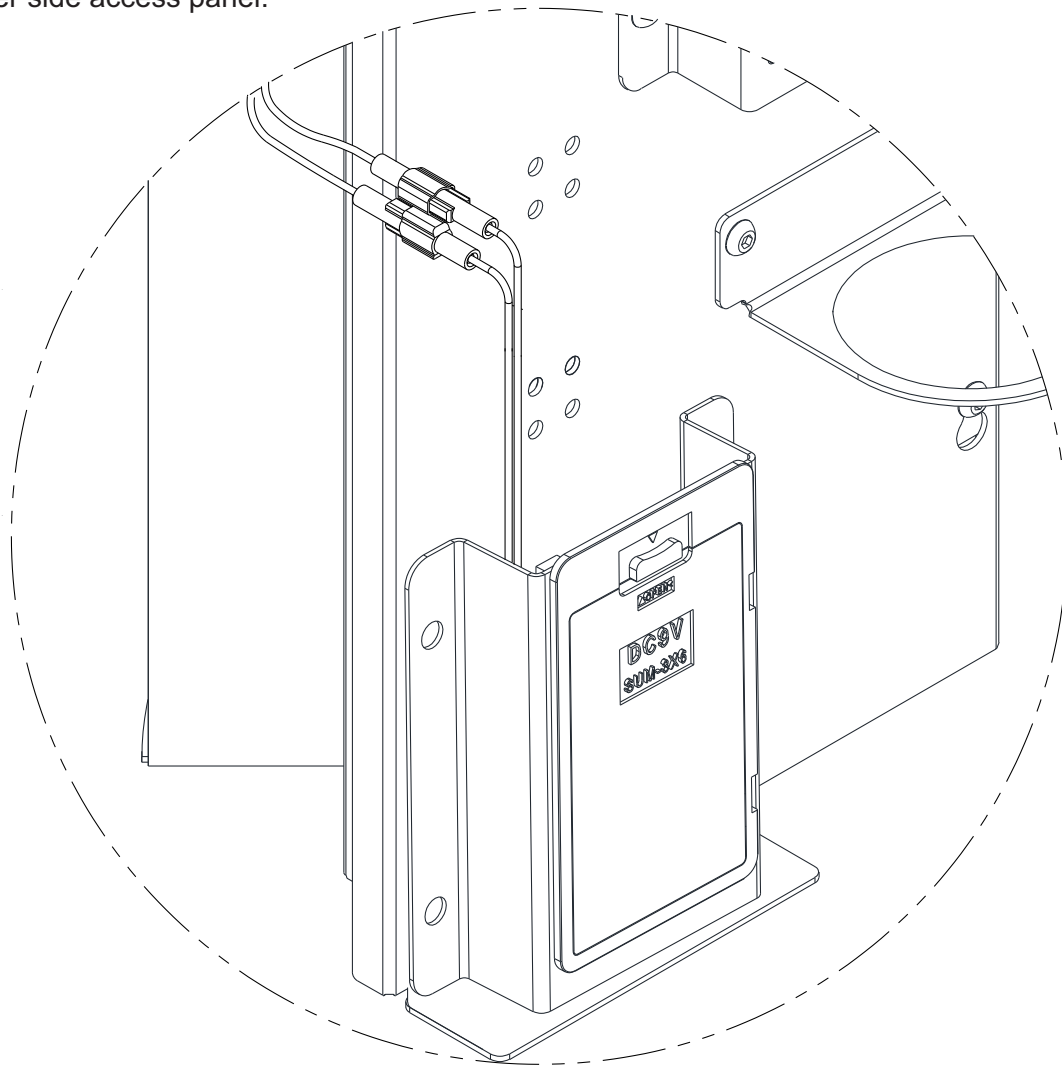
For models with optional
-SO Sensor Operation.

ITEM	PART NUMBER	DESCRIPTION
1	7013-013-199	NANO SENSOR SPACER
2	7013-057-002	NANO SENSOR, w/ WIRES
3	7013-019-199	FOAM TAPE, 7/8" x 1/2" x 1/8"
4	7013-010-199	NANO SENSOR BRACKET
5	0331-023-000	#8 FLAT WASHER, SS
6	6527-108-000	#8 LOCKWASHER, SS
7	0302-003-000	#8-32 UNF HEX NUT, SS
8	1895-709-000	ELBOW, 1/4" PUSH-IN x 1/4" STEM
9	7000-420-000	1/4 TURN SHUTOFF VALVE
10	0124-033-000	#8 x 3/4" LONG FLAT HD SELF-TAP SCREW
11	7000-006-000	DRAIN ADAPTER GASKET
12	7003-182-000	ACCESS DRAIN, BI-LEVEL, UPPER



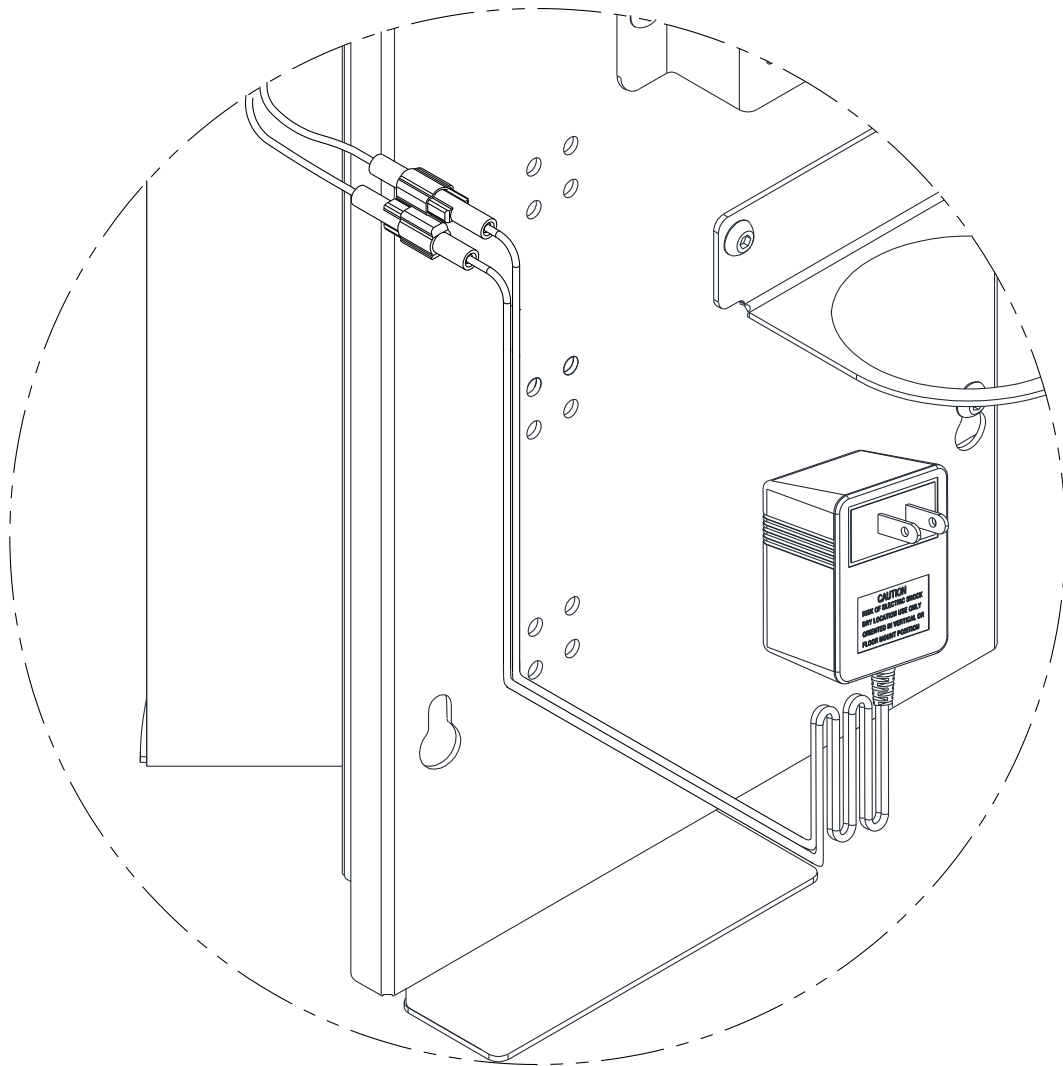
GYE14-SO BATTERY REPLACEMENT

1. Loosen and remove bottle filler side access panel and remove battery pack from placed location. Do not disconnect the wires from the battery pack unless necessary.
2. Replace the six alkaline AA batteries while observing polarity.
3. Return the battery pack back to mounted location and test for proper operation. Then attach bottle filler side access panel.



GYE14-SO-PIP PLUG-IN POWER SUPPLY (OPTIONAL)

- Standard Battery Supply may be replaced with optional Plug-In Power Supply 115VAC/9VDC Plug-In Transformer.
- Electrical Power Rough-In 120VAC, 60Hz, 3A (Max) GFCI Protected Receptacle Required.

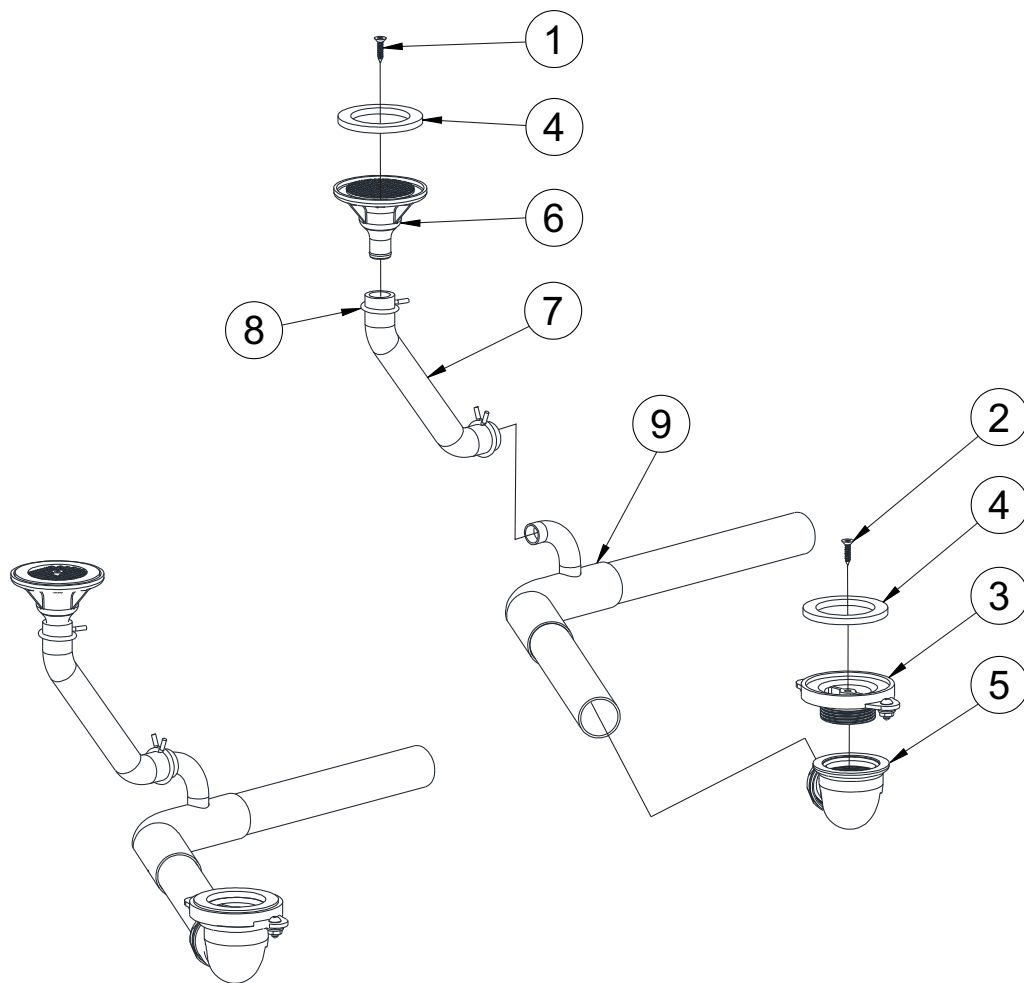


GYE14 WASTE ASSEMBLY

(STANDARD):

Connections and Assembly,
Repair Parts

ITEM	PART NUMBER	DESCRIPTION
1	0124-033-000	#8 x 3/4" HEX SELF TAPPING SCREW
2	0152-010-000	#10-32 x 1" HEX FLAT HEAD SCREW
3	7000-005-199	DRAIN ADAPTER
4	7000-006-000	DRAIN ADAPTER GASKET
5	7000-017-001	ELBOW, ORING x 1-1/4" COMPRESSION
6	7003-182-000	ACCESS DRAIN, BI-LEVEL, UPPER
7	7003-183-000	ANSI/AHAM CERTIFIED FLEX HOSE, 5/8 x 7/8
8	7003-184-000	7/8" SPRING HOSE CLAMP
9	J5MA2005-001	WASTE TUBING RH ASSY



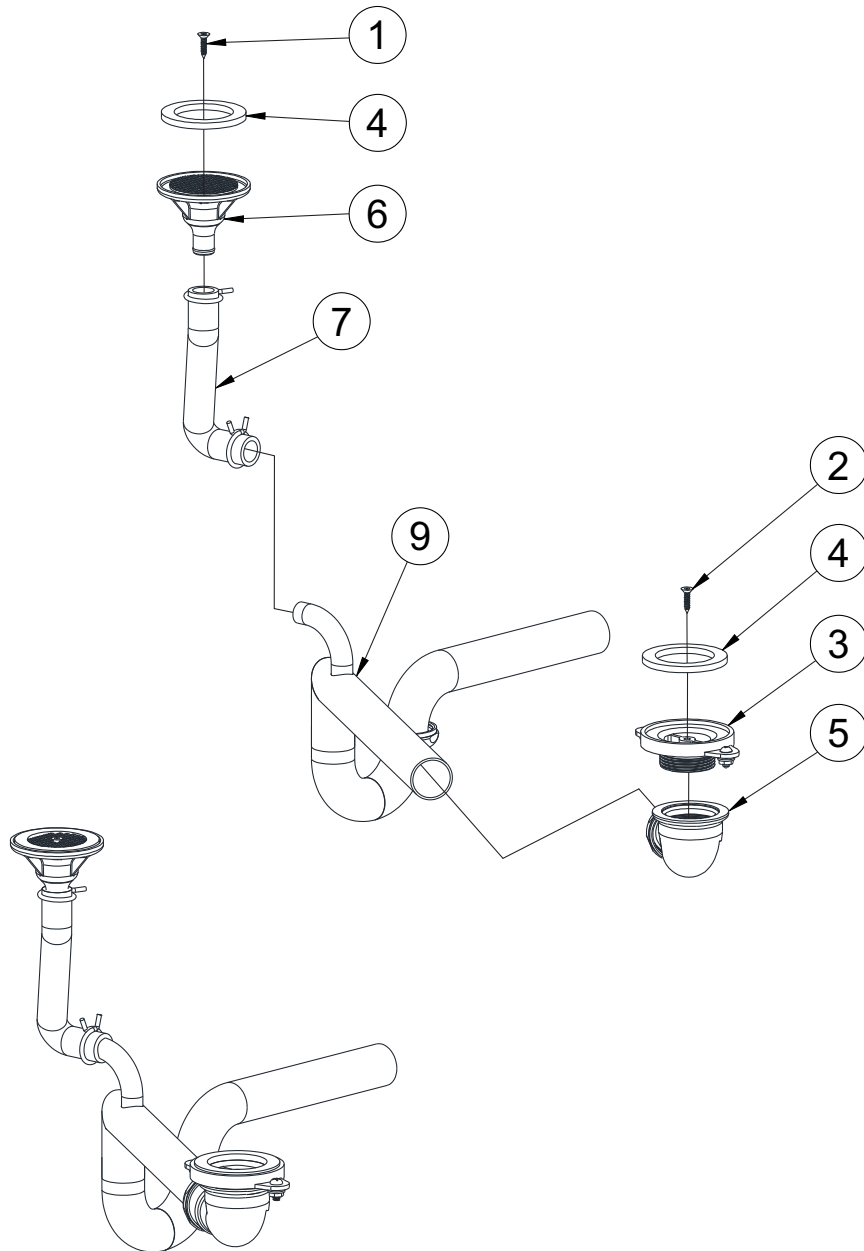
GYE14-R

GYE14-PT WASTE ASSEMBLY

WITH OPTIONAL P-TRAP:

Connections and Assembly,
Repair Parts

ITEM	PART NUMBER	DESCRIPTION
1	0124-033-000	#8 x 3/4" HEX SELF TAPPING SCREW
2	0152-010-000	#10-32 x 1" HEX FLAT HEAD SCREW
3	7000-005-199	DRAIN ADAPTER
4	7000-006-000	DRAIN ADAPTER GASKET
5	7000-017-001	ELBOW, ORING x 1-1/4" COMPRESSION
6	7003-182-000	ACCESS DRAIN, BI-LEVEL, UPPER
7	7003-183-000	ANSI/AHAM CERTIFIED FLEX HOSE, 5/8 x 7/8
8	7003-184-000	7/8" SPRING HOSE CLAMP
9	MURGRE52-001	RH WASTE TUBING ASSY, GYE10-PT



GYE14-PT