



HYDRANTS

Flush Box Hydrant

MODEL M-577

3/4" FREEZE RESISTANT,
FLUSH-MOUNTED HYDRANT
WITH BRONZE BOX AND LOCKING LID

STANDARD FEATURES

Model M-577 box hydrant provides water access that is inconspicuous and unobtrusive. The top of the unit is installed flush with the surrounding surface, and all working parts are located below grade. The hydrant may be installed in pavement, sod or concrete. The unit is furnished with a hinged, locking lid, which is opened for access to the hose outlet and closed when not in use. A loose key serves to lock and unlock the lid and to operate the hydrant. To provide freeze resistant functionality, the valve is located under ground at the specified depth of bury. The hydrant box and lid are bronze castings, and the bottom connection, valve and hose outlet are solid-brass castings. Field-serviceable parts are easily accessible.

SUGGESTED SPECIFICATIONS

Hydrant shall be Murdock-Super Secur model M-577 freeze resistant box hydrant.

Unit is to be installed with top of unit flush with surrounding surface and shall be furnished with hinged, locking lid.

Valve shall be located under ground at specified depth of bury to ensure freeze resistant capability.

Hydrant box and lid shall be fabricated of heavy-duty, bronze castings.

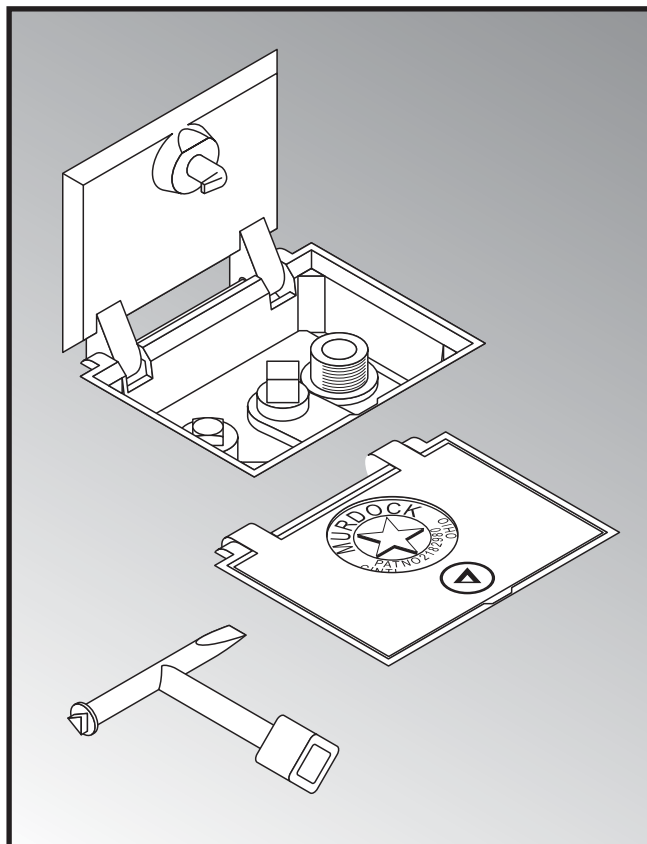
Valve, stirrup and hose outlet shall be fabricated of solid-brass castings. All solid-brass castings shall conform to ASTM standards B61 and B62. Lead-free castings are used in all waterways.

Outer casing and internal water supply line shall be fabricated of galvanized steel pipe.

Cast-aluminum key shall be furnished loose. Key shall be used to lock and unlock lid and to operate hydrant.

Unit shall be furnished with 3/4" water supply bottom connection.

Contractor shall ensure that hydrant is installed properly.



Standard Model: M-577

DEPTH OF BURY *(additional costs may be incurred)*

- | | |
|---|---|
| <input type="checkbox"/> 2 ft. (61 cm) | <input type="checkbox"/> 5 ft. (152.4 cm) |
| <input type="checkbox"/> 3 ft. (91.4 cm) | <input type="checkbox"/> 6 ft. (182.9 cm) |
| <input type="checkbox"/> 4 ft. (121.9 cm) | <input type="checkbox"/> Other _____ |

OPTIONS *(additional costs may be incurred)*

NONE



Member of
U.S. Green
Building
Council



Recyclable
Product

WARNING: Cancer and Reproductive Harm - www.P65Warnings.ca.gov

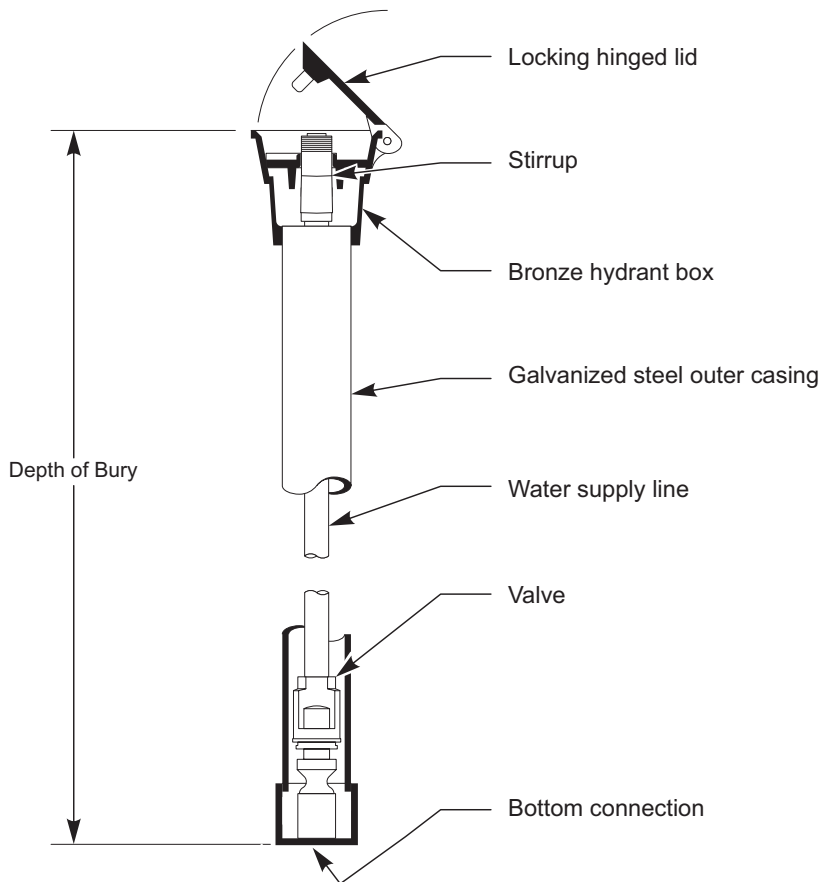
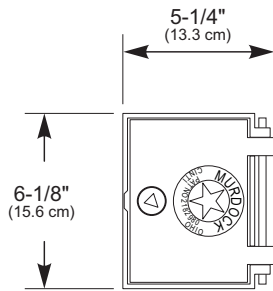
MURDOCK MFG. • 15125 Proctor Avenue • City of Industry, CA 91746 USA
Phone 800-453-7465 or 626-333-2543 • Fax 626-855-4860 • www.murdockmfg.com

Member of
MORRIS GROUP
INTERNATIONAL



HYDRANTS

Flush Box Hydrant MODEL M-577 3/4" FREEZE RESISTANT, FLUSH-MOUNTED HYDRANT WITH BRONZE BOX AND LOCKING LID



Murdock Mfg.™ warrants that its products are free from defects in material or workmanship under normal use and service for a period of one year from date of shipment. Murdock's liability under this warranty shall be discharged solely by replacement or repair of defective material, provided Murdock™ is notified in writing within one year from date of shipment, F.O.B. Industry, California.

SELECTION SUMMARY & APPROVAL FOR MANUFACTURING	Model Number & Options _____	Quantity _____
	Company _____	
	Contact _____	Title _____
	Signature (Approval for Manufacturing) _____	Date _____

MURDOCK MFG. • 15125 Proctor Avenue • City of Industry, CA 91746 USA
Phone 800-453-7465 or 626-333-2543 • Fax 626-855-4860 • www.murdockmfg.com

Member of
MORRIS GROUP
INTERNATIONAL