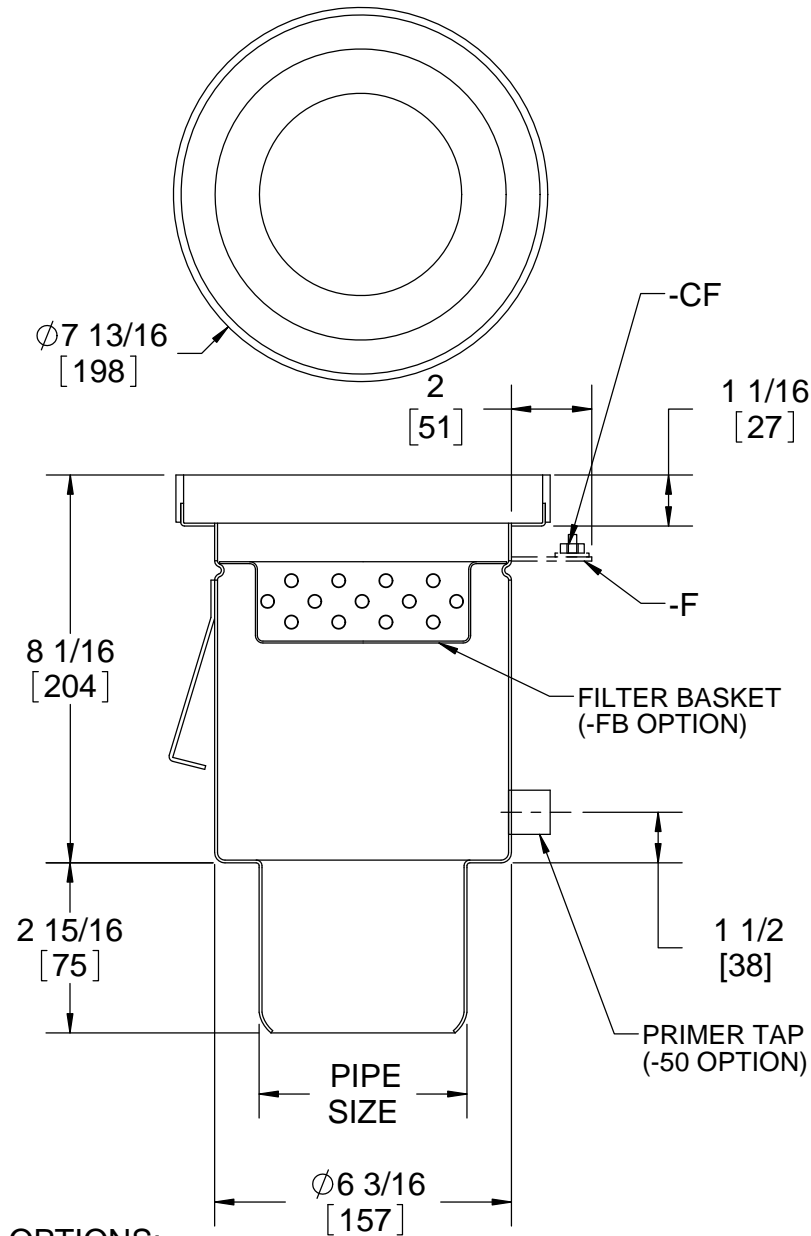


SPECIFICATION:

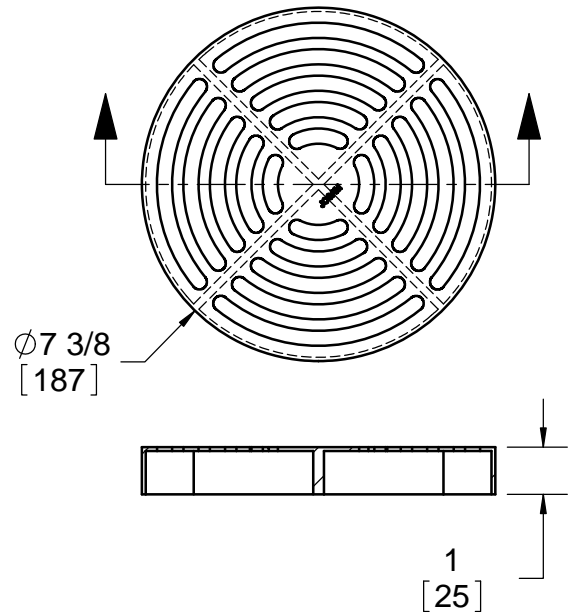
JOSAM SERIES 42440 STAINLESS STEEL (TYPE 304), 8" ROUND TOP, 8" DEEP, WITH NO-HUB BOTTOM OUTLET, ANCHOR TABS AND PERFORATED SS GRATE (STANDARD).

SS DRAIN
8" ROUND TOP, 8" DEEP

SERIES **42440**



STANDARD GRATE
FREE AREA = 18.4 IN²
MEETS ADA AND HEEL-PROOF REQMNTS.



| | MODEL | PIPE SIZE |
|--|-------|-----------|
| | 42442 | 2" |
| | 42443 | 3" |
| | 42444 | 4" |

OPTIONS:

| | |
|------|-------------------------------------|
| -FB | FILTER BASKET |
| -SB | SEDIMENT BUCKET |
| -VP | SECURED GRATE |
| -SO | SIDE OUTLET |
| -50 | 1/2" PRIMER TAP |
| -T | THREADED OUTLET |
| -316 | TYPE 316L MATERIAL |
| -BW | BUTT-WELD OUTLET (SPEC. 10, 40, 80) |
| -F | FLANGE ONLY |
| -CF | CLAMP AND FLANGE |

| | |
|-----|-----------------------------|
| -NG | NO GRATE |
| -HG | PERF. HALF GRATE |
| -3Q | PERF. 3/4 GRATE |
| -MG | MESH, ANTI-SLIP GRATE |
| -LG | LADDER GRATE |
| -SG | PERIMETER SLOT GRATE |
| -SK | SEALED COVER W/ EYEBOLT KEY |
| -SV | SEALED COVER W/ VACUUM HNDL |
| -WH | WEEP HOLES |

WARNING: Cancer and Reproductive Harm - www.P65Warnings.ca.gov

DATE OF LAST CHANGE: 7/17/18

DIMENSIONS ARE SUBJECT TO MANUFACTURERS TOLERANCES AND CHANGE WITHOUT NOTICE. WE CAN ASSUME NO RESPONSIBILITY FOR USE OF SUPERSEDED OR VOID DATA.

JOSAM
MICHIGAN CITY, INDIANA

NOTES