



# CONTEMPORARY DRINKING FOUNTAINS

## GW Series

### MODEL GWA74-PT1

#### WALL MOUNTED DRINKING FOUNTAIN

#### STANDARD FEATURES

- 18 gage, 304 stainless steel bowl
- Polished stainless steel, anti-rotation, non-squirt pushbutton bubbler with valve and lever handle
- P-Trap
- Vandal resistant screws
- Wall bracket



#### MODEL:

(Must Specify)

#### SUGGESTED SPECIFICATIONS

Model GWA74-PT1 is a wall mounted, vandal resistant drinking fountain made from 18 gage, 304 stainless steel with a brushed finish. Unit shall be activated by a self-closing lever operated valve. Bubbler shall be polished stainless steel with a non-squirt feature and operate on a water pressure range of 20-105 psig. Unit shall be activated by a self-closing, lever operated valve. Unit shall have a 1-1/4" P-trap and a wall bracket. Unit shall adhere to NSF/ANSI 61, Section 9, Public Law 111-380 (No-Lead) and CHSC 116875.

- GWA74-PT1 Lead-Free Stainless Steel Pushbutton Bubbler Fountain with P-Trap, 1-1/4" O.D.

Complies with the following standards:



Member of  
U.S. Green  
Building  
Council



Recyclable  
Product



Water  
Conserving  
Product

WARNING: Cancer and Reproductive Harm - [www.P65Warnings.ca.gov](http://www.P65Warnings.ca.gov)

MURDOCK MFG. • 15125 Proctor Avenue • City of Industry, CA 91746 USA  
Phone 800-453-7465 or 626-333-2543 • Fax 626-855-4860 • [www.murdockmfg.com](http://www.murdockmfg.com)

Member of  
MORRIS GROUP  
INTERNATIONAL

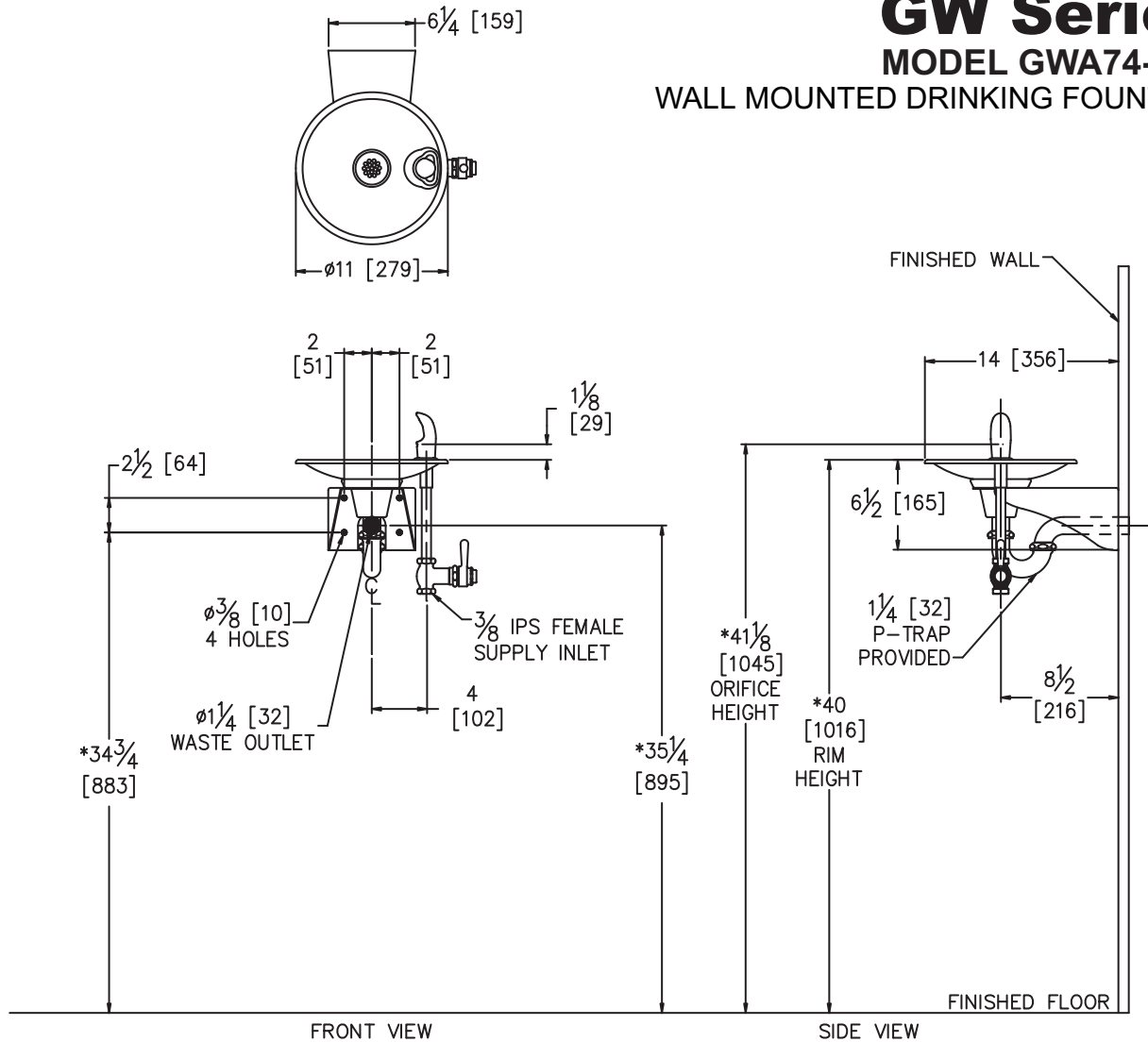


# CONTEMPORARY DRINKING FOUNTAINS

## GW Series

### MODEL GWA74-PT1

#### WALL MOUNTED DRINKING FOUNTAIN



**GENERAL NOTES:**

1. ALL DIMENSIONS ARE IN INCHES [MM].
- \*2. DIMENSIONS SHOWN ARE FOR RECOMMENDED ADULT HEIGHT. ADJUST VERTICAL DIMENSIONS AS NECESSARY TO COMPLY WITH FEDERAL, STATE, & LOCAL CODES.
3. STOP VALVE AND UNION NOT PROVIDED.

Murdock Mfg.™ warrants that its products are free from defects in material or workmanship under normal use and service for a period of one year from date of shipment. Murdock's liability under this warranty shall be discharged solely by replacement or repair of defective material, provided Murdock™ is notified in writing within one year from date of shipment, F.O.B. Industry, California.

|  |  |                |  |
|--|--|----------------|--|
| SELECTION SUMMARY & APPROVAL FOR MANUFACTURING | Model Number & Options _____                 | Quantity _____ | All dimensions are subject to manufactures tolerance of plus or minus 1/2" nominal and subject to change without notice. Murdock assumes no responsibility for use of void or superseded data. Dimensions may change with the addition of optional accessories. Murdock Mfg.™, Member of Morris Group International™. Please visit <a href="http://www.murdockmfg.com">www.murdockmfg.com</a> for most current specifications. |
|  | Company _____                                |                |  |
|  | Contact _____                                | Title _____    |  |
|  | Signature (Approval for Manufacturing) _____ | Date _____     |  |

**MURDOCK MFG.** • 15125 Proctor Avenue • City of Industry, CA 91746 USA  
 Phone 800-453-7465 or 626-333-2543 • Fax 626-855-4860 • [www.murdockmfg.com](http://www.murdockmfg.com)

Member of  
**MORRIS GROUP**  
 INTERNATIONAL