

**BASE ROUGH-IN VIEW**

**INSTALLATION INSTRUCTIONS:**

- A- PROVIDE 30" SQUARE MINIMUM x 6" DEEP MINIMUM CONCRETE SLAB BY OTHERS TO SECURELY ANCHOR FIXTURE. INSTALL THE FOUR PROVIDED CONCRETE ANCHORS ① AT DIMENSIONS SHOWN TO MATCH HOLES ② IN FIXTURE BASE.
- B- ROUGH-IN WASTE OUTLET ③ CENTERED AS SHOWN FOR 1-1/4" OUTER DIAMETER PLAIN END TAILPIECE ④.
- C- ROUGH-IN WATER SUPPLY ⑤ WITHIN 5" DIAMETER BOTTOM OPENING FOR CONNECTION TO VALVE USING THE SUPPLIED 6" LONG FLEX HOSE WITH 1/2" NPS FEMALE END WHICH WILL ACCOMODATE 1/2" NPT MALE ADAPTER.
- D- CAREFULLY REMOVE FIXTURE ⑥ AND COMPONENTS FROM THE PACKAGING PREVENTING SCRATCHING AND DAMAGE.
- E- REMOVE THE BACK ACCESS PANEL ⑦. ENSURE PUSHBUTTON, WASTE TAILPIECE ④ AND BUBBLER ⑧ ARE SECURE AND CHECK ALL TUBING CONNECTIONS TO MAKE SURE THEY DID NOT COME LOOSE IN SHIPMENT.

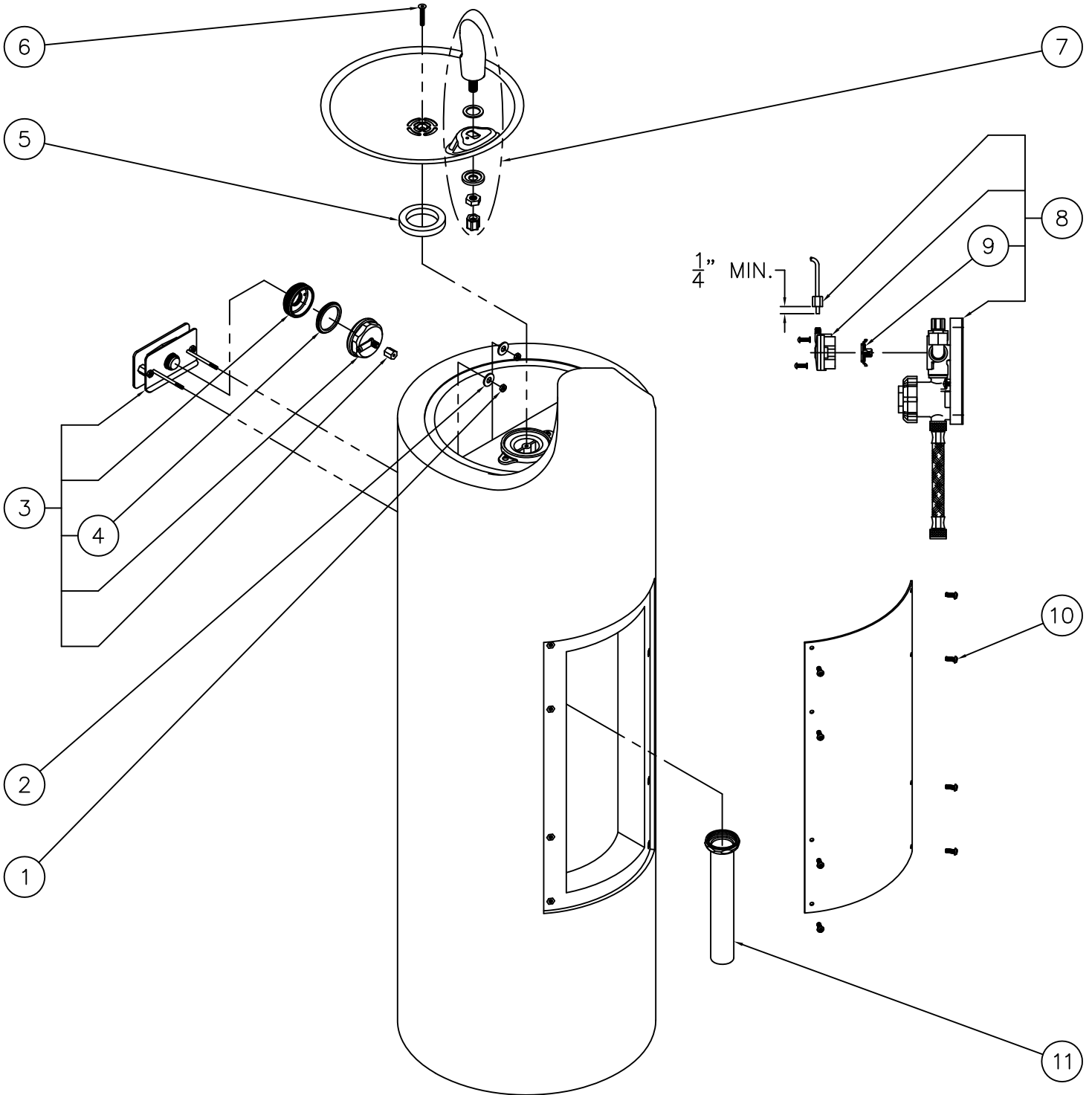
- F- SET FIXTURE IN PLACE ALIGNING BASE HOLES ② WITH THE INSTALLED ANCHORS ① AND SECURE WITH THE 1/2" UNC HARDWARE ⑨ PROVIDED.
- G- MAKE-UP 1-1/4" O.D. WASTE CONNECTION TO TAILPIECE ④.
- H- INSTALL AIR-CONTROL VALVE WITHIN PEDESTAL USING THE HARDWARE PROVIDED. CONNECT 1/4" O.D. TUBING COMING FROM 1/4 TURN VALVE AND 1/8" O.D. TUBING FROM PUSH-BUTTON TO VALVE. NOTE: ONLY HANDTIGHTEN FERRULE NUTS.
- I- FLUSH WATER SUPPLY ⑤ BY OTHERS OF ALL DEBRIS PRIOR TO CONNECTING TO VALVE.
- J- CONNECT WATER SUPPLY ⑤ BY OTHERS TO VALVE USING SUPPLIED 1/2" NPS FLEX HOSE.
- K- TEST OPERATION OF BUBBLER BY DEPRESSING PUSHBUTTON. ADJUST FLOW RATE AS REQUIRED USING IN-LINE 1/4 TURN VALVE. CHECK ALL CONNECTIONS AND WASTE PIPING FOR LEAKS. CORRECT IF PRESENT.
- L- RE-INSTALL BACK ACCESS PANEL ⑦.

<p>MURDOCK-SUPER SECUR P.O. Box 3527 Industry, CA 91744 15125 Proctor Ave Industry, CA 91746 Phone: (800) 591-9880 www.murdock-supersecur.com</p>	TITLE <b>ROUND OUTDOOR STONE PEDESTAL DRINKING FOUNTAIN</b>		
	MANUFACTURE DATE <b>JANUARY 2006 TO PRESENT</b>	DATE ISSUED <b>09/27/05</b>	DRAWING NUMBER <b>9938-200-001</b>
		DATE REVISED <b>03/30/16</b>	



# INSTALLATION INSTRUCTIONS

# DRINKING FOUNTAINS



1	0302-003-000	8/32" UNF STAINLESS STEEL HEX NUT	7	7000-012-001	STAINLESS STEEL BUBBLER
2	0331-020-000	STAINLESS STEEL WASHER	8	2590-612-001	S/T NON-METERING AIR-CONTROL VALVE
3	7031-160-001	STONE FOUNTAIN PUSHBUTTON ASSEMBLY	9	2563-010-001	WATER DIAPHRAGM ASSEMBLY
4	2566-001-000	PUSHBUTTON DIAPHRAGM	10	0112-002-000	CENTER REJECT ALLEN BUTTON HD SCREW
5	7000-006-000	FLAT DRAIN ADAPTER GASKET	11	7000-019-001	1-1/4" OUTER DIAMETER TAILPIECE
6	0152-040-000	CENTER REJECT ALLEN FLAT HEAD SCREW			
ITEM	PART NUMBER	DESCRIPTION	ITEM	PART NUMBER	DESCRIPTION



MURDOCK-SUPER SECUR  
 P.O. Box 3527 Industry, CA 91744  
 15125 Proctor Ave Industry, CA 91746  
 Phone: (800) 591-9880  
 www.murdock-supersecur.com

## TITLE ROUND OUTDOOR STONE PEDESTAL DRINKING FOUNTAIN

MANUFACTURE DATE  
**JANUARY 2006**  
**TO PRESENT**

DATE ISSUED  
**11/16/05**  
 DATE REVISED  
**03/30/16**

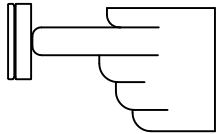


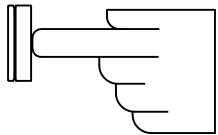

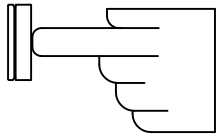

DRAWING NUMBER  
**9938-200-500**



**PUSH PAD / PUSH BUTTON FRU FREEZE RESISTANT DRINKING FOUNTAINS  
NON-METERING AIR-CONTROLLED VALVE - (DIRECT ACTING)**

**CONDITION:**

**SOLUTION:**

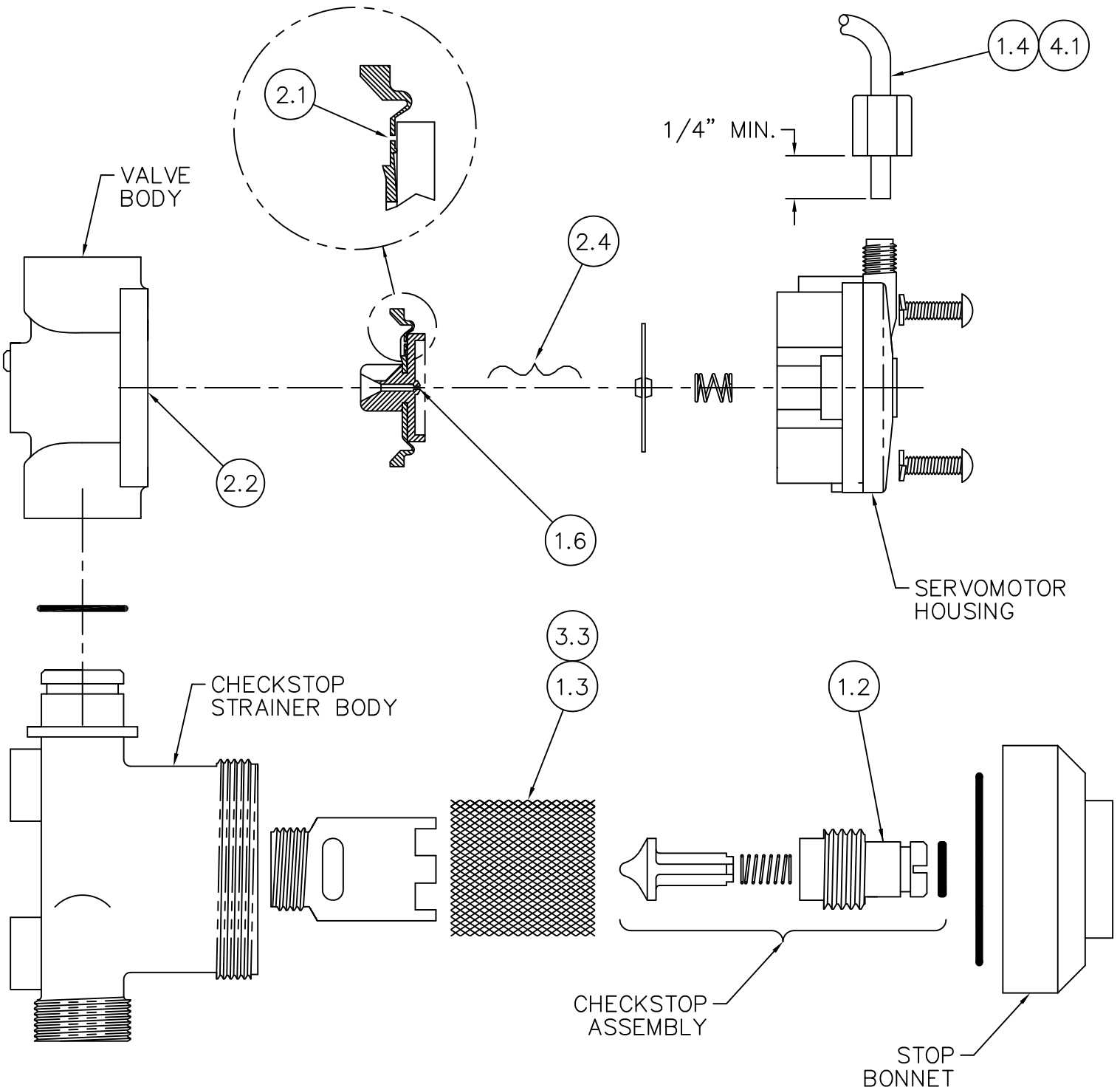
<p><b>NO WATER FLOW:</b></p>  	<ol style="list-style-type: none"> <li>1.1 Check water main supply – open.</li> <li>1.2 Inspect checkstops – open.</li> <li>1.3 Inspect checkstop strainer for debris – clean.</li> <li>1.4 Check 1/8” O.D. tubing and fittings for leaks.</li> <li>1.5 Check pushbutton air diaphragm for holes.</li> <li>1.6 Check servomotor diaphragm center hole for blockage.</li> </ol>
<p><b>WATER DRIPS / WILL NOT SHUT OFF:</b></p> 	<ol style="list-style-type: none"> <li>2.1 Check servomotor diaphragm offset hole for debris.</li> <li>2.2 Check servomotor seat for build-up or damage.</li> <li>2.3 Check servomotor seat o-ring for damage.</li> <li>2.4 Check servomotor plate and diaphragm for obstruction.</li> </ol>
<p><b>REDUCED WATER FLOW:</b></p>  	<ol style="list-style-type: none"> <li>3.1 Check water main supply for 20 psig minimum flow pressure.</li> <li>3.2 Check valve riser tubing for crimping.</li> <li>3.3 Inspect checkstop strainer for debris – clean.</li> <li>3.4 Check valve flow control for blockage – clean.</li> <li>3.5 Inspect bubbler for debris – clean.</li> </ol>
<p><b>PREMATURE WATER SHUTOFF:</b></p>  	<ol style="list-style-type: none"> <li>4.1 Check 1/8” O.D. tubing and fittings for leaks.</li> <li>4.2 Check pushbutton air diaphragm for holes.</li> </ol>

Refer to Air-Controlled Valve Maintenance Detail on drawing # 9940-203-001 for -FRA\_ Above Ground units and on drawing # 9940-204-001 for Stone & -FRU\_ Below Ground units to locate solutions above.

	<p>MURDOCK-SUPER SECUR P.O. Box 3527 Industry, CA 91744 15125 Proctor Ave Industry, CA 91746 Phone: (800) 591-9880 www.murdock-supersecur.com</p>	<p><b>FRU FREEZE RESISTANT FOUNTAIN VALVE MAINTENANCE INSTRUCTIONS</b></p>		
<p>TITLE <b>JANUARY 2006 TO PRESENT</b></p>		<p>MANUFACTURE DATE <b>10/20/05</b></p>	<p>DATE ISSUED <b>10/20/05</b></p>	<p>DATE REVISID <b>03/15/16</b></p>
		<p>DRAWING NUMBER <b>9940-202-001</b></p>		



**PUSH PAD / PUSH BUTTON BELOW GROUND FREEZE RESISTANT DRINKING FOUNTAINS  
NON-METERING AIR-CONTROLLED VALVE - (DIRECT ACTING)**



**CHECKSTOP STRAINER - SERVOMOTOR DETAIL**

Refer to drawing #9940-202-001 for Valve Maintenance Instructions numbered solutions detailed above.

<p>MURDOCK-SUPER SECUR P.O. Box 3527 Industry, CA 91744 15125 Proctor Ave Industry, CA 91746 Phone: (800) 591-9880 www.murdock-supersecur.com</p>	<p>TITLE <b>NON-METERING FRU AIR-CONTROLLED VALVE MAINTENANCE INSTRUCTIONS</b></p>		
	<p>MANUFACTURE DATE <b>JANUARY 2006 TO PRESENT</b></p>	<p>DATE ISSUED <b>12/07/05</b></p> <p>DATE REVISED <b>03/15/16</b></p>	<p>DRAWING NUMBER <b>9940-204-001</b></p>