

Location: _____

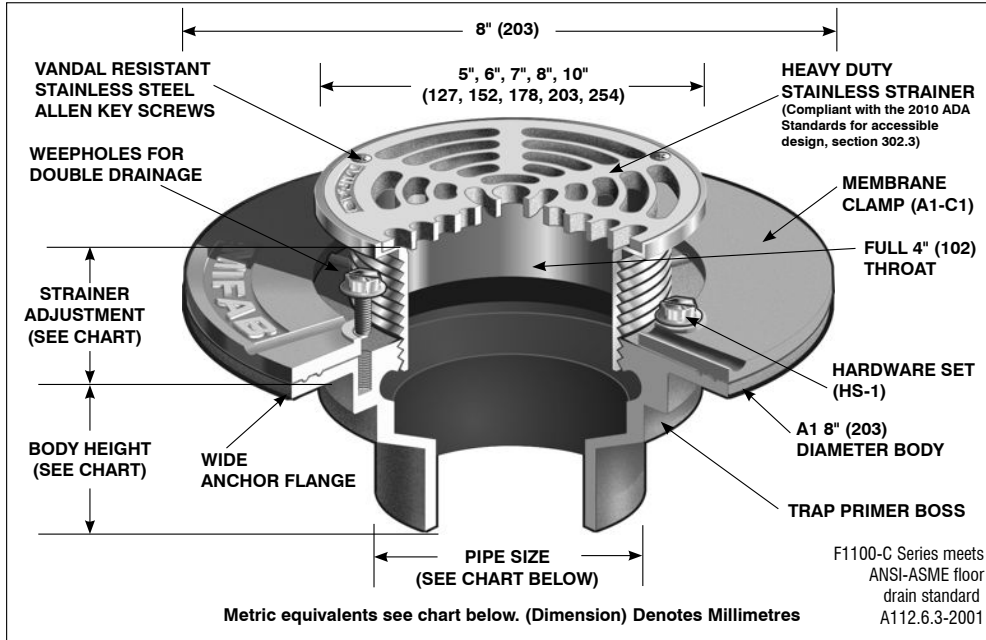


F1100-C

FLOOR DRAIN FOR MEMBRANE FLOOR AREAS

Specification: MIFAB® Series F1100-C (*)-1 (* specify strainer diameter) lacquered cast iron floor drain with anchor flange, cast iron membrane clamp ring with primary and secondary weepholes for waterproofing membrane, and standard satin finished nickel bronze strainer with vandal resistant stainless steel all on key screws (For non-membrane floors, delete -C from Series number).

Function: Used in showers, kitchens, restrooms, and other membrane finished areas. Round adjustable strainer is used for all types of poured finished floors.



PARTS:



A1 BODY



MEMBRANE CLAMP (A1-C1)

(*) -3
(*) Denotes Strainer Size



A1-C1



HS-1

F1100-C Series meets ANSI-ASME floor drain standard A112.6.3-211

| STRAINER DIAMETER | STRAINER ADJUSTMENT | | ANSI/ASME RATING | | PIPE SIZE | BODY HEIGHT | | | | | |
|-------------------|---------------------|--------------|--|-----------------|-------------------|-------------------|-------------|--------------|------------------|---------------------|---------------|
| | | | FREE AREA | LOAD RATING | | NO HUB (STANDARD) | PUSH ON (P) | THREADED (T) | INSIDE CAULK (X) | PVC/ABS (-30)/(-31) | |
| | N.B. (-1) | S.S. (-3) | | | | | | | | | |
| 5" (127) | 1/2" (38) | 1 1/2" (38) | 8 in ² (5200 ²) | UP TO 2000 LBS. | 5000 TO 7499 LBS. | 2" (51) | 3" (76) | 3 3/8" (86) | 2 1/4" (57) | 3 3/4" (95) | 2 15/16" (75) |
| 6" (152) | 11/16" (17) | 1 1/2" (38) | 9 in ² (5800 ²) | UP TO 2000 LBS. | 5000 TO 7499 LBS. | 3" (76) | 3" (76) | 3 3/8" (86) | 2 5/8" (67) | 3 3/4" (95) | 3 3/4" (95) |
| 7" (178) | 9/16" (14) | 1 9/16" (40) | 12 in ² (7700 ²) | UP TO 2000 LBS. | 5000 TO 7499 LBS. | 4" (102) | 3" (76) | 3 3/8" (86) | 2 5/8" (67) | 3 3/4" (95) | 3 3/4" (95) |
| 8" (203) | 1 1/16" (17) | 2 1/4" (57) | 18 in ² (11600 ²) | UP TO 2000 LBS. | 5000 TO 7499 LBS. | 5" (127) | 3" (76) | -- | 2 5/8" (67) | 3 3/4" (95) | -- |
| 10" (254) | 1 1/16" (17) | 2 1/4" (57) | 26 in ² (17170 ²) | UP TO 2000 LBS. | 5000 TO 7499 LBS. | 6" (152) | 3 1/4" (83) | 6 1/2" (165) | -- | -- | -- |

SUFFIX OPTIONAL VARIATIONS

- 1 Nickel bronze strainer (standard)
- 3 Stainless steel strainer
- 4 Ductile iron strainer (5", 8" only)
- 5 Sediment bucket
- 6 Security screws (T-20 Torx & pin)
- 7 1/2" trap seal primer connection
- 8 Backwater valve (2", 3", 4")
- 11 Acid resistant epoxy coated body
- 13 Galvanized body
- 15 Extension
- 21 Secondary flat stainless steel strainer (2", 3", 4")
- 28 Stainless steel body (Type 304)
- 30 PVC socket connection body
- 31 ABS socket connection body
- 34 Closure plug
- 40 Underdeck clamp
- 41 Sump receiver

SUFFIX OPTIONAL VARIATIONS

- 49 Chrome plated strainer
- 50 Lacquered cast iron funnel
- 90 Threaded side outlet (2", 3", 4") (cast iron only)
- 90NH No hub side outlet (2", 3", 4") (cast iron only)
- 95 Client logo
- BA Buy American Act compliant product
- C2 High rough-in membrane clamp (min. 1 9/16" (40))
- F4 4" Round funnel
- F6 6" Round funnel
- (Standard) No hub outlet
- G Oval 4" x 9" funnel
- HP Heel proof grate (1/4" maximum grate opening size, -3 only)
- J 6" x 3" x 1" funnel
- MG MI-GARD Floor Drain Trap Sealer (2", 3" or 4")
- P Push on outlet
- PA Pennsylvania Steel Act compliant product
- T Threaded outlet (2", 3", 4")
- X Inside caulk outlet
- Z Extended wide elastomeric flange-49 Chrome plated strainer

CALIFORNIA PROPOSITION 65 WARNING. This product contains chemicals known to the State of California to cause cancer and birth defects or other reproductive harm.

Job Name: _____ Page No: _____

Section No: _____ Contractor: _____

Schedule No: _____ Purchase Order No: _____