



DRINKING FOUNTAIN

A480CUP Series

MODEL A4804000-CUSP

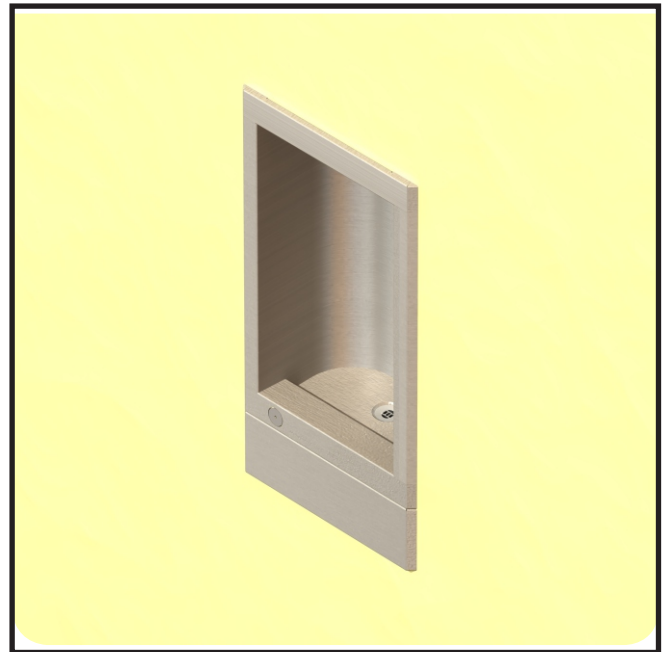
FULLY RECESSED,
WALL MOUNTED CUSPIDOR

STANDARD FEATURES

- 18 gage, 304 stainless steel cabinet
- 16 gage, galvanized mounting frame
- Polished chrome plated brass, washdown outlet
- 100 mesh inlet strainer
- Vandal resistant screws

SUGGESTED SPECIFICATIONS

Model A4804000-CUSP is a fully recessed, wall mounted, vandal resistant cuspidor made from 18 gage, 304 stainless steel with a brushed finish. Unit shall be activated by a surface mounted, chrome plated brass front pushbutton using less than 5 pounds of force. Washdown outlet shall be chrome plated brass and operates on a water pressure range of 20-105 psig. Unit is certified to ANSI A117.1, Public Law 111-380 (NO-LEAD), CHSC 116875 and NSF/ANSI 61, Section 9.



"INDOOR USE ONLY"

MODEL:

(Must Specify)

- A4804000-CUSP Satin Stainless Finish

OPTIONS

(additional costs may be incurred)

- HP High Polish

Complies with the following standards:



Member of
U.S. Green
Building
Council



Recyclable
Product



Water
Conserving
Product

WARNING: Cancer and Reproductive Harm - www.P65Warnings.ca.gov

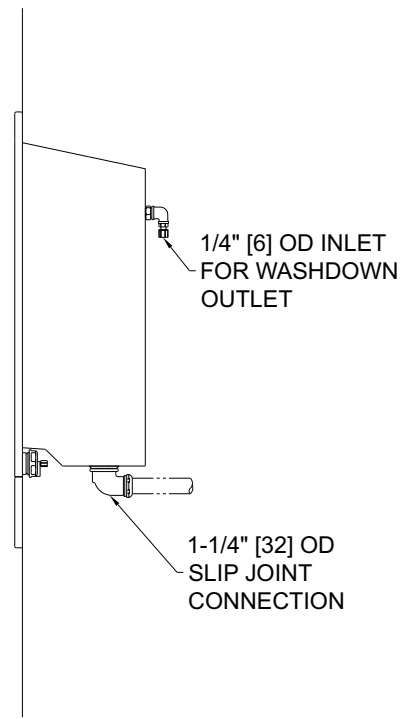
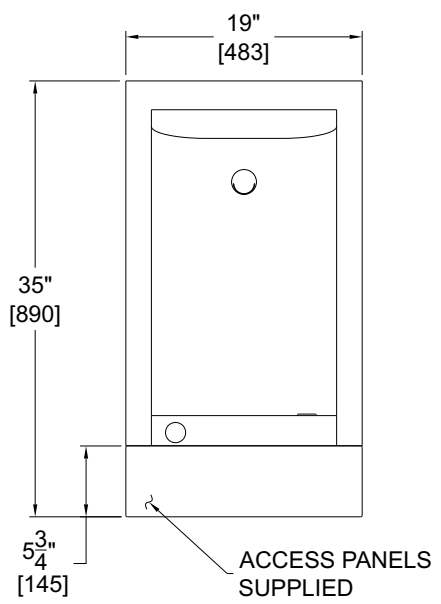
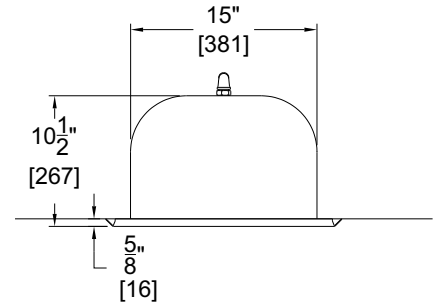
MURDOCK MFG. • 15125 Proctor Avenue • City of Industry, CA 91746 USA
Phone 800-453-7465 or 626-333-2543 • Fax 626-855-4860 • www.murdockmfg.com

Member of
MORRIS GROUP
INTERNATIONAL



DRINKING FOUNTAIN

A480CUP Series MODEL A4804000-CUSP FULLY RECESSED, WALL MOUNTED CUSPIDOR



- GENERAL NOTES:**
1. ALL DIMENSIONS ARE IN INCHES [MM].
 2. STOP VALVE NOT INCLUDED.

Murdock Mfg.™ warrants that its products are free from defects in material or workmanship under normal use and service for a period of one year from date of shipment. Murdock's liability under this warranty shall be discharged solely by replacement or repair of defective material, provided Murdock™ is notified in writing within one year from date of shipment, F.O.B. Industry, California.

SELECTION SUMMARY & APPROVAL FOR MANUFACTURING	Model Number & Options _____	Quantity _____	<small>All dimensions are subject to manufactures tolerance of plus or minus 1/2" nominal and subject to change without notice. Murdock assumes no responsibility for use of void or superseded data. Dimensions may change with the addition of optional accessories. Murdock Mfg.™, Member of Morris Group International™. Please visit www.murdockmfg.com for most current specifications.</small>
	Company _____		
	Contact _____	Title _____	
	Signature (Approval for Manufacturing) _____	Date _____	

MURDOCK MFG. • 15125 Proctor Avenue • City of Industry, CA 91746 USA
 Phone 800-453-7465 or 626-333-2543 • Fax 626-855-4860 • www.murdockmfg.com

