



JAY R. SMITH MFG. CO.®
 MEMBER OF ACORN'S FAMILY OF COMPANIES
 POST OFFICE BOX 3237
 MONTGOMERY, ALABAMA 36109-0237 (USA)
 TEL: 334-277-8520 FAX: 334-272-7396 www.jrsmith.com

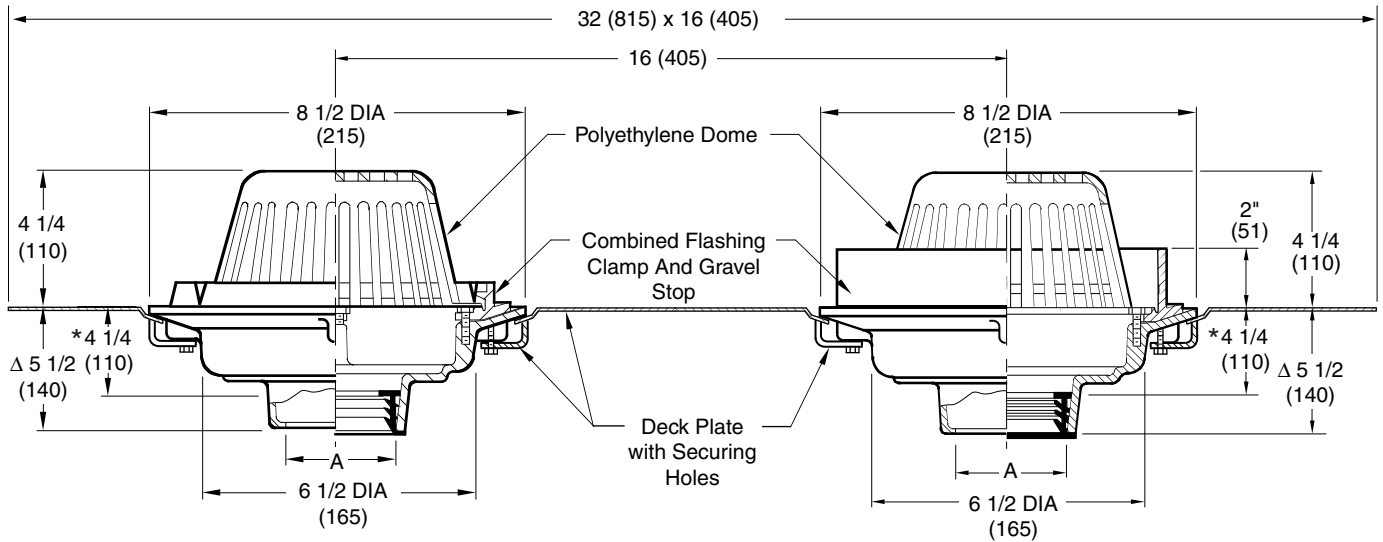


MEMBER OF:

LOCATION

ROOF DRAIN AND OVERFLOW DRAIN WITH DECK TOP MOUNTING PLATE

Free Area
41.5 SQ IN
(268) SQ CM



A (Pipe Size) = 02 (50), 03 (75) or 04 (100)

- 1830C.....CAULK OUTLET
- 1830Y..... NO-HUB OUTLET

REGULARLY FURNISHED:

Duco Cast Iron Body, Double Deck Plate with Securing Holes, Combined Flashing Clamp and Gravel Stop for Roof Drain and External Water Dam for Overflow Drain, both with Polyethylene Dome.

VARIATIONS:

- Expansion Joint (Specify Fig.1710)
- Extension (Specify Height) -E
- L Speedi-Set Service Weight
- LXH Speedi-Set Extra Heavy
- Secondary Flashing Clamp -C2
- Vandal Proof Dome -U
- T Threaded Outlet

OPTIONAL MATERIALS:

- Aluminum Dome -AD
- Cast Iron Dome -CID
- Galvanized Cast Iron Dome -CIDG
- Galvanized Cast Iron Body & Collar -G
- Rough Bronze Dome -RBD

* **NOTE:** This Dimension to Internal Stop of Speedi-Set Gasket.

Δ Same for Caulk, No-Hub and Speedi-Set, 4 1/4 (110) for Threaded.

NOTE: Dimensions shown in parentheses are in millimeters.

DRAWING NUMBER
s1830

SIZE
A

SCALE:
NONE

DATE:
4-26-11

APPROVED BY:
CL

CHECKED BY:
CL

DRAWN BY:
TBW

1830

WE CAN ASSUME NO RESPONSIBILITY FOR USE OF SUPERSEDED OR VOID DATA

DIMENSIONS ARE SUBJECT TO MANUFACTURERS TOLERANCE AND CHANGE WITHOUT NOTICE

| | | |
|---------------|-------------------|-------------------------------------|
| WEIGHT POUNDS | VOLUME CUBIC FEET | FIGURE NUMBER 1830 |
|---------------|-------------------|-------------------------------------|

| REV. | DATE | DESCRIPTION | BY | CKD. BY |
|------|------|-------------|----|---------|
| | | | | |