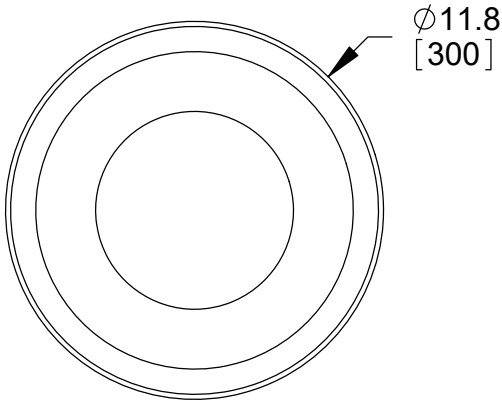


SPECIFICATION:

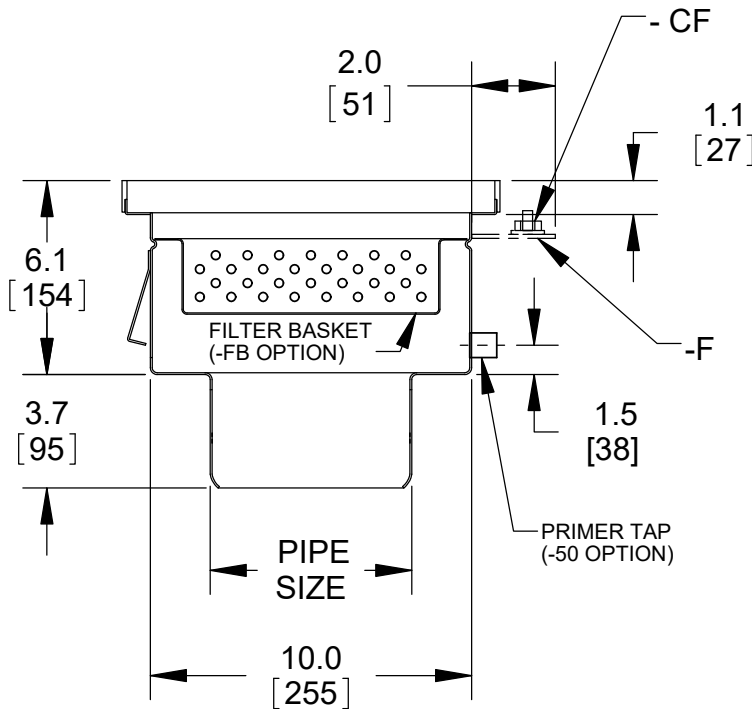
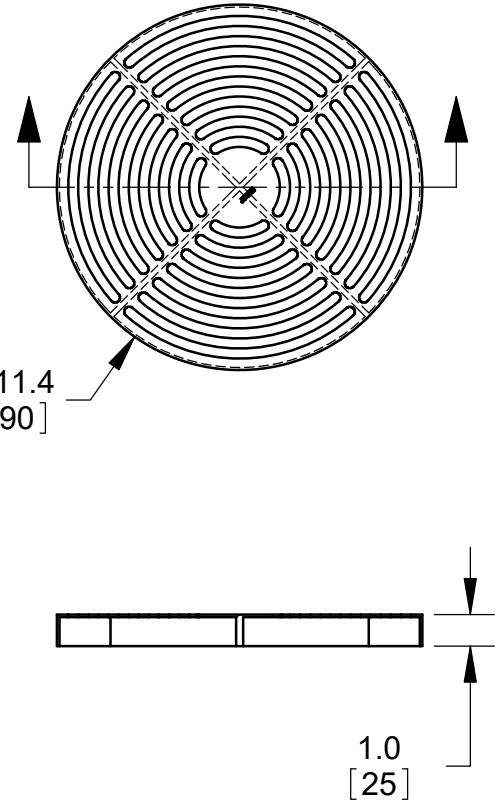
JOSAM SERIES 42630 FABRICATED STAINLESS STEEL (TYPE 304),
 12" ROUND TOP, 6" DEEP, WITH NO-HUB BOTTOM OUTLET,
 ANCHOR TABS AND PERFORATED SS GRATE (STANDARD).

SS DRAIN
 12" ROUND TOP, 6" DEEP

SERIES **42630**



STANDARD GRATE
 FREE AREA = 42.4 IN²
 MEETS ADA AND HEEL-PROOF REQS.



	MODEL	PIPE SIZE
	42633	3"
	42634	4"
	42636	6"

OPTIONS:

-FB	FILTER BASKET
-SB	SEDIMENT BUCKET
-VP	SECURED GRATE
-BW	BUTT-WELD OUTLET (SPEC. 10, 40, 80)
-50	1/2" PRIMER TAP
-T	THREADED OUTLET
-F	FLANGE ONLY
-CF	CLAMP AND FLANGE
-WH	WEEPHOLES 1/8" (3X)

-NG	NO GRATE
-HG	PERF. HALF GRATE
-3Q	PERF. 3/4 GRATE
-MG	MESH, ANTI-SLIP GRATE
-LG	LADDER GRATE
-SG	PERIMETER SLOT GRATE
-316	TYPE 316L MATERIAL

DATE OF LAST CHANGE: 06/05/17

DIMENSIONS ARE SUBJECT TO MANUFACTURERS
 TOLERANCES AND CHANGE WITHOUT NOTICE.
 WE CAN ASSUME NO RESPONSIBILITY FOR
 USE OF SUPERSEDED OR VOID DATA.

JOSAM COMPANY
 MICHIGAN CITY, INDIANA

NOTES