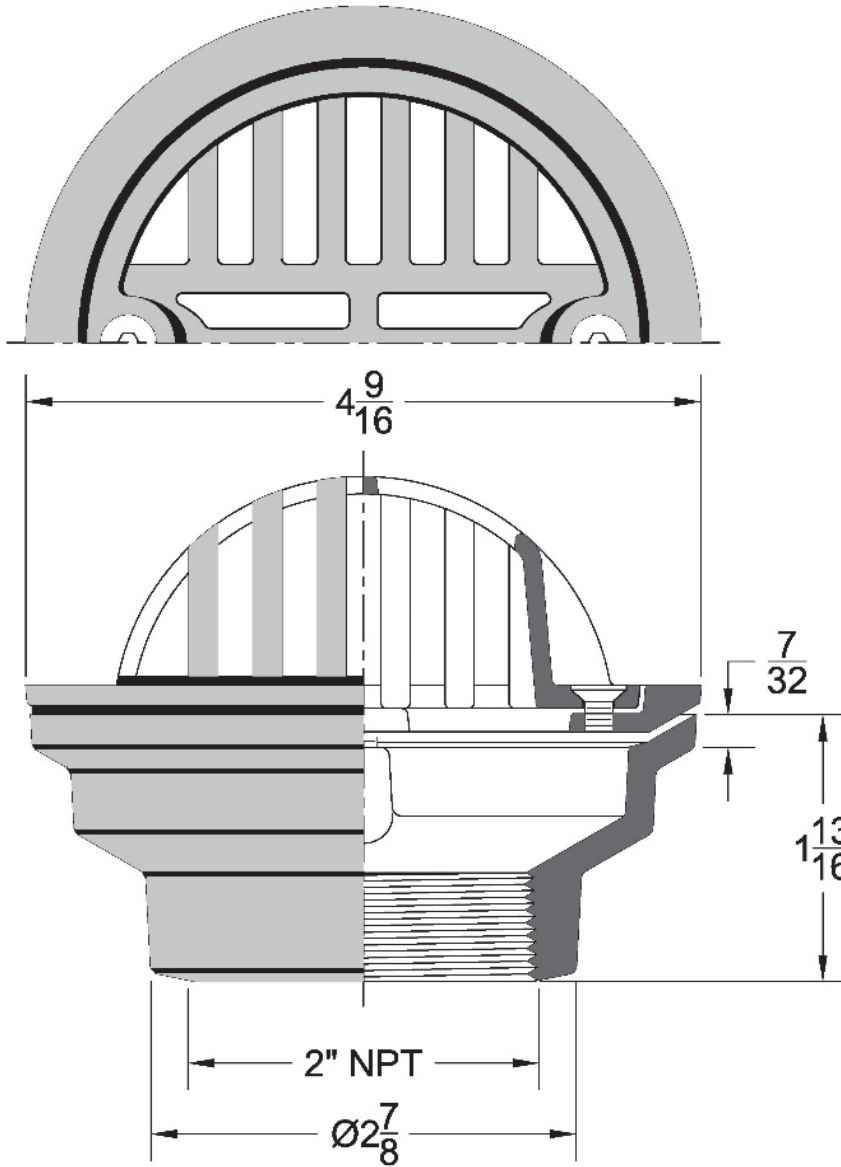


3241 Cornice / Balcony Drain (Replaces 3240-BD)



| | |
|------------|--|
| Project | |
| Engineer | |
| Mechanical | |

Regularly Furnished: Cast iron cornice / balcony drain with flange, flashing ring, & low profile dome.

| 3241 | -1 Cast Iron Body with Satin Finish Nickel Bronze Dome | -2 Cast Iron Body with Satin Finish Bronze Dome | -3 Cast Iron Body with Rough Bronze Dome | Dome Free Area (Sq. In.) |
|------|---|--|---|--------------------------------|
| • | | | | 4.5 |

| Suffix Options | | |
|----------------|--------------------------------|---|
| Suffix | Description | • |
| -VP | Vandal Proof Top Assembly | |
| -39 | Galvanized Cast Iron | |
| -48 | Flush Grate in Lieu of Dome * | |
| -49 | Bronze Mesh Over Dome | |
| -50 | Stainless Steel Mesh Over Dome | |

| Outlet Variations | |
|-------------------|-------------|
| Type | Designation |
| Threaded | 2IPS |

**Dimensions vary from illustration*