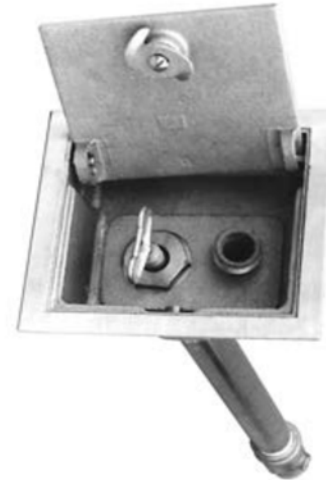
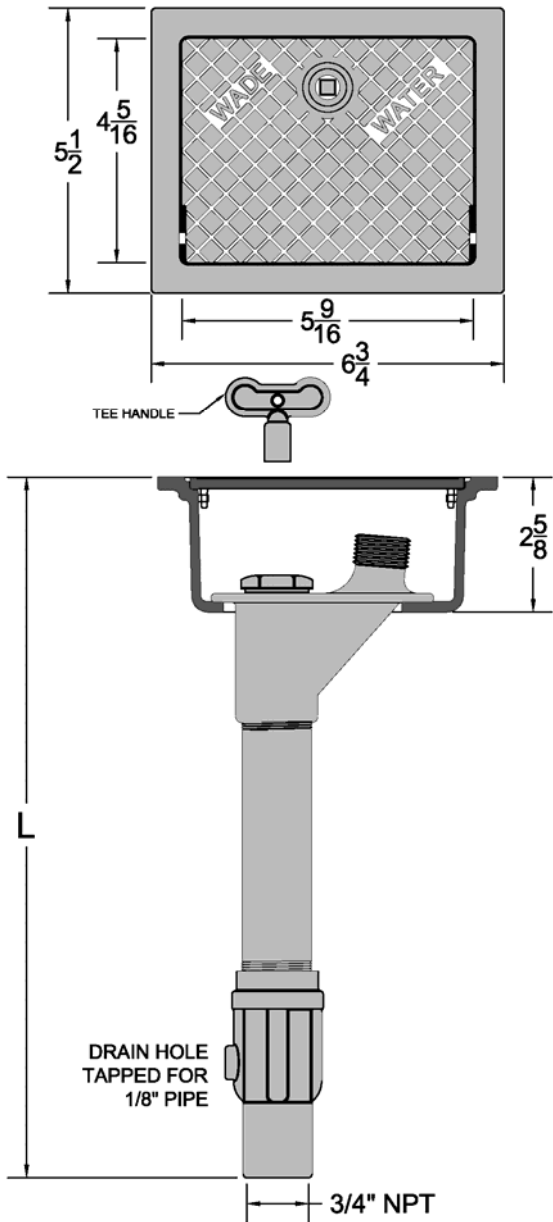


8800 Encased Non-Freeze Ground Hydrant

Project	Engineer	Mechanical
---------	----------	------------



8800-3-(2' Bury)

Maximum Working Pressure: 125 PSI

Regularly Furnished: Freezeless ground hydrant with compression closure valve, bronze casing, 3/4" hose connection, & box with hinged locking cover.

Bury Depth	Box Material		
	-1 Satin Finish Nickel Bronze	-2 Satin Finish Bronze	-3 Rough Bronze
2'			
3'			
4'			
5'			
6'			
7'			
8'			
9'			
10'			

Suffix Options		
Suffix	Description	•
-HDR38	Replacement Rod	
-WK03	Repair Kit (Less Rod)	
-24	Anchor Flange*	
-26	Anchor Flange w/ Clamping Device*	
-89	Vacuum Breaker	
-90	1" Hose Connection*	
-92	Key Operated Cylinder Lock	
-109	Drain Port in Box (Specify Size)	

**Dimensions vary from illustration*