

SPEAKMAN®

SLV-24030

Installation, Operation & Maintenance Instructions

KUBOS™ COLLECTION COMBINATION SERIES

DESCRIPTION

Speakman Kubos™ Collection Combination Series, SLV-24030 includes: Trim (CPT-24000), Shower Arm with Wall Flange (S-2560), Multi Function Shower Head (S-3021) and Diverter Tub Spout (S-1569). This combination does not include the Shower Valve.

PB

This combination should be installed with one of the following Speakman Sentinel Mark II® Pressure Balance Shower Valves

- CPV-PB:** Pressure Balance Shower Valve
Sweat & Thread Connections
- CPV-PB-PXC:** Pressure Balance Shower Valve
PEX F1807 Crimp Inlet Connections
- CPV-PB-PXE:** Pressure Balance Shower Valve
PEX F1960 Cold-Expansion Inlet Connections

T

This combination should be installed with one of the following Speakman Sentinel Mark II® Thermostatic Shower Valves

- CPV-T:** Thermostatic Shower Valve
Sweat & Thread Connections
- CPV-T-PXC:** Thermostatic Shower Valve
PEX F1807 Crimp Inlet Connections
- CPV-T-PXE:** Thermostatic Shower Valve
PEX F1960 Cold-Expansion Inlet Connections

SPECIFICATIONS

CPT-24000 KUBOS™ COLLECTION SHOWER VALVE TRIM:

COMPLIANCE: ASME A112.18.1 / CSA B125.1 Standard

S-2560 KUBOS™ COLLECTION SHOWER ARM WITH WALL FLANGE:

CONNECTIONS: ½" NPT Male Inlet & Outlet

S-3021 KUBOS™ COLLECTION MULTI FUNCTION SHOWER HEAD:

CONNECTIONS: ½" NPT Female Inlet

FLOW RATE: 2.5 gpm (9.5 L/min)

COMPLIANCE: ASME A112.18.1 / CSA B125.1 Standard

S-1569 KUBOS™ COLLECTION DIVERTER TUB SPOUT:

CONNECTIONS: ½" Copper Slip-fit

COMPLIANCE: ASME A112.18.1 / CSA B125.1 Standard

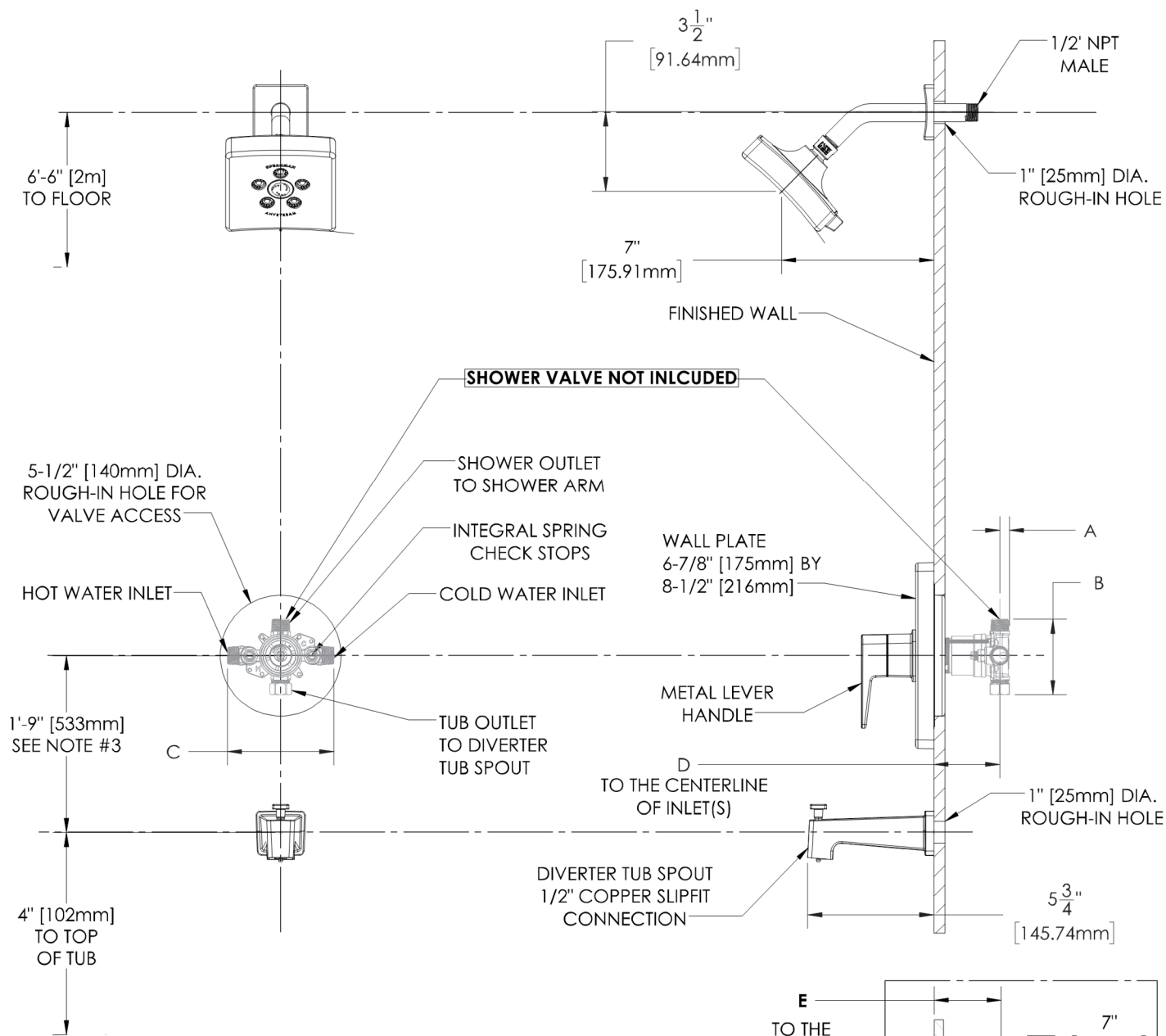
INSTRUCTIONS

See individual products for installation of the components and warranty information.

SPEAKMAN®

Phone: 800-537-2107 Fax: 800-977-2747
12/13/18 www.speakman.com 92C-SLV-24030-01

ROUGH-IN



NOTES:

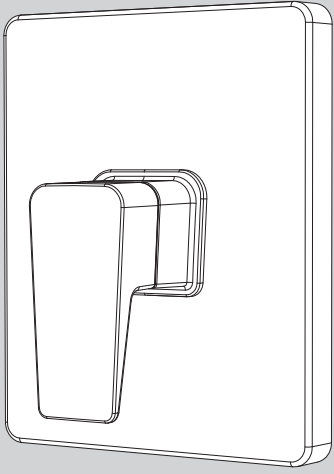
1. ALL DIMENSIONS ARE IN INCHES [MILLIMETERS] UNLESS OTHERWISE SPECIFIED AND ARE SUBJECT TO CHANGE WITHOUT NOTICE.
2. ALL INLETS AND OUTLETS ARE 1/2" FEMALE COPPER SWEAT AND 1/2" MALE NPT UNLESS OTHERWISE SPECIFIED.
3. FOR ADA MOUNTING LOCATIONS CONSULT ADAAG, ANSI A117.1, OR STATE REGULATIONS.

DIMENSION	CPV-PB	CPV-T	CPV-PB-PXC	CPV-PB-PXE	CPV-T-PXC	CPV-T-PXE
A	7/16" (11mm)	1/2" (12mm)	7/16" (11mm)		1/2" (12mm)	
B	3-5/16" (84mm)	3-1/2" (89mm)	3-5/16" (84mm)		3-1/2" (89mm)	
C	4-13/16" (123mm)	5-7/8" (150mm)	4-13/16" (123mm)		5-7/8" (150mm)	
D	2-1/2" (63mm) MIN TO 3-1/2" (89mm) MAX					
E			3-1/8" (79mm) MIN TO 4-1/8" (105mm) MAX		3-3/16" (81mm) MIN TO 4-3/16" (106mm) MAX	

SPEAKMAN®

INSTRUCTIONS FOR MODELS

CPT-24000



NEED HELP?

For additional assistance or service please contact:

SPEAKMAN®

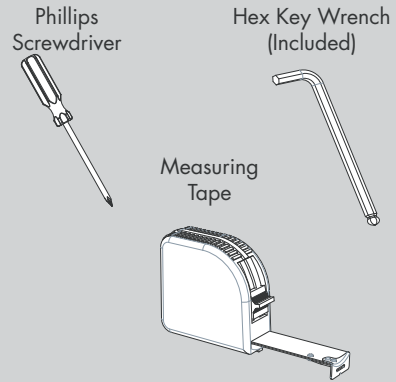
800-537-2107

customerservice@speakman.com

www.speakman.com

92-CPT-24000-02

TOOLS AND SUPPLIES



IMPORTANT

- Do not over-tighten any connections or damage may occur.
- Be sure to read instructions thoroughly before beginning installation.

SAFETY TIPS

Cover your drain to prevent loss of parts.

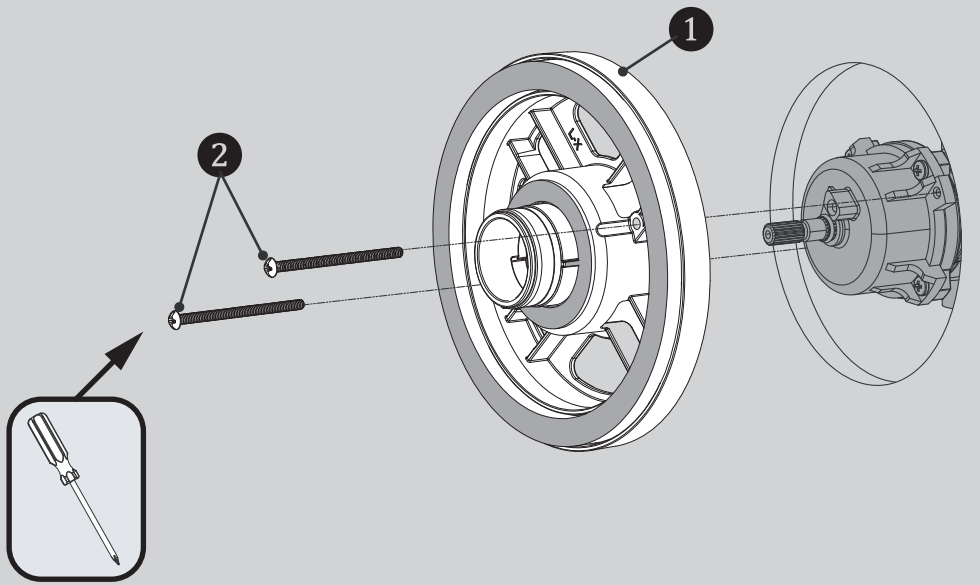
MAINTENANCE

Your new Speakman Product is designed for years of trouble-free performance. Keep it looking new by cleaning it periodically with a soft cloth. The use of harsh chemicals and abrasives on any of the Speakman custom finish products may damage the finish and void the product warranty. Please be sure to only use approved cleaners. Please contact Speakman for any clarification of acceptable cleaners.

WARRANTY

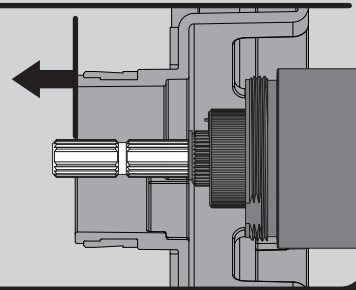
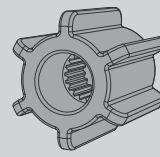
Warranty information can be found at: www.speakman.com

1 Clean wall surface. Place Mounting Base (1) onto the valve, align mounting holes, and secure with supplied screws (2).

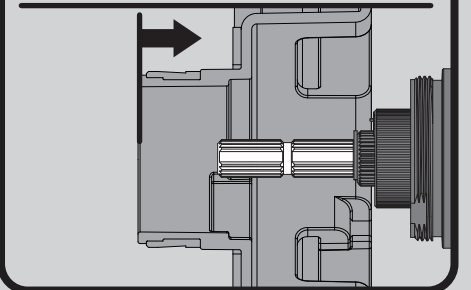
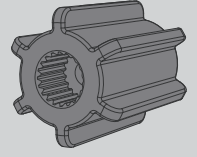


2 Verify the position of the Spindle within the Mounting Plate, as shown below. If the end of the Spindle extends beyond the Mounting Plate, then use the Shallow Mount Adapter. If the end of the Spindle is flush to, or is within the Mounting Plate, then use the Deep Mount Adapter.

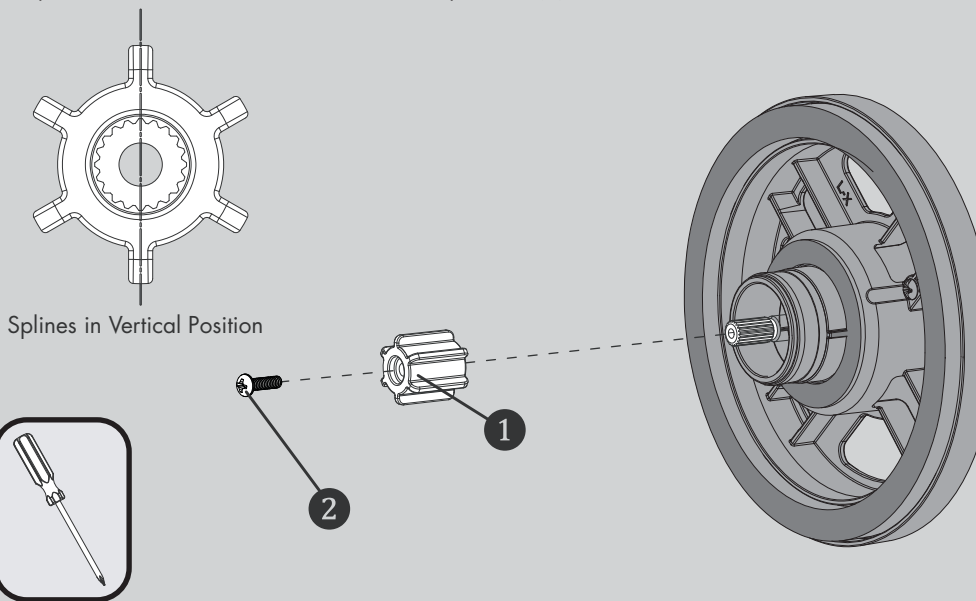
FOR SHALLOW MOUNT APPLICATION



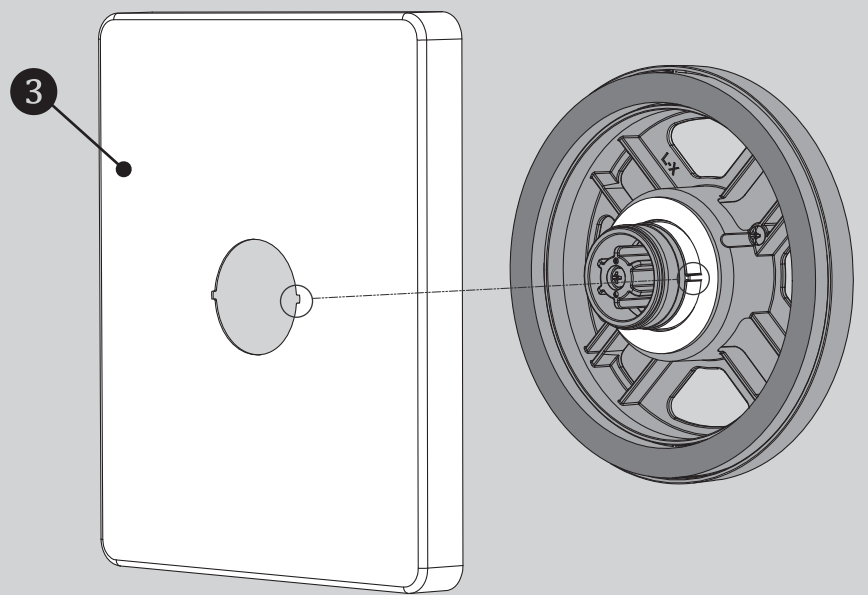
FOR DEEP MOUNT APPLICATION



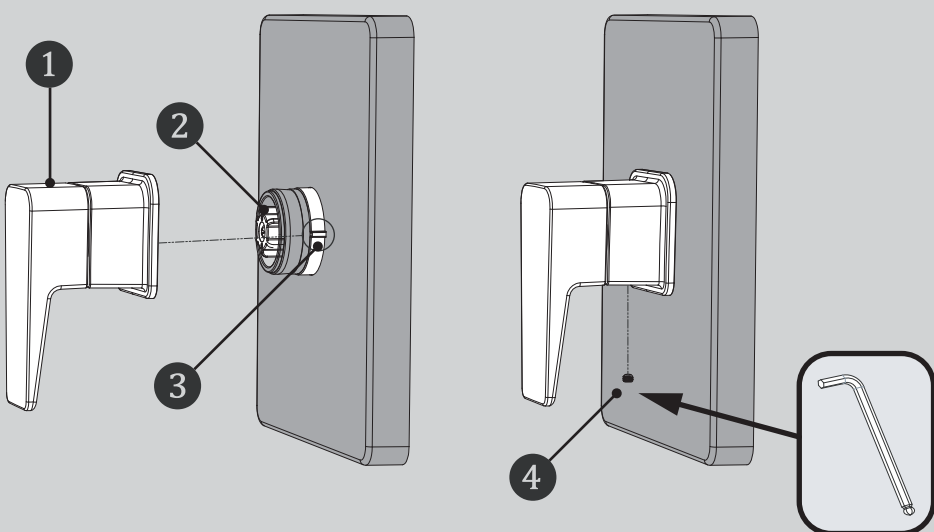
3 Confirm that Valve is in the "Off" position. Place appropriate Connector (1) on to the Spindle of the Valve, making sure to orient the Connector so that one set of Splines are in a perfectly vertical position. Secure Connector with 8-32 screw provided (2).

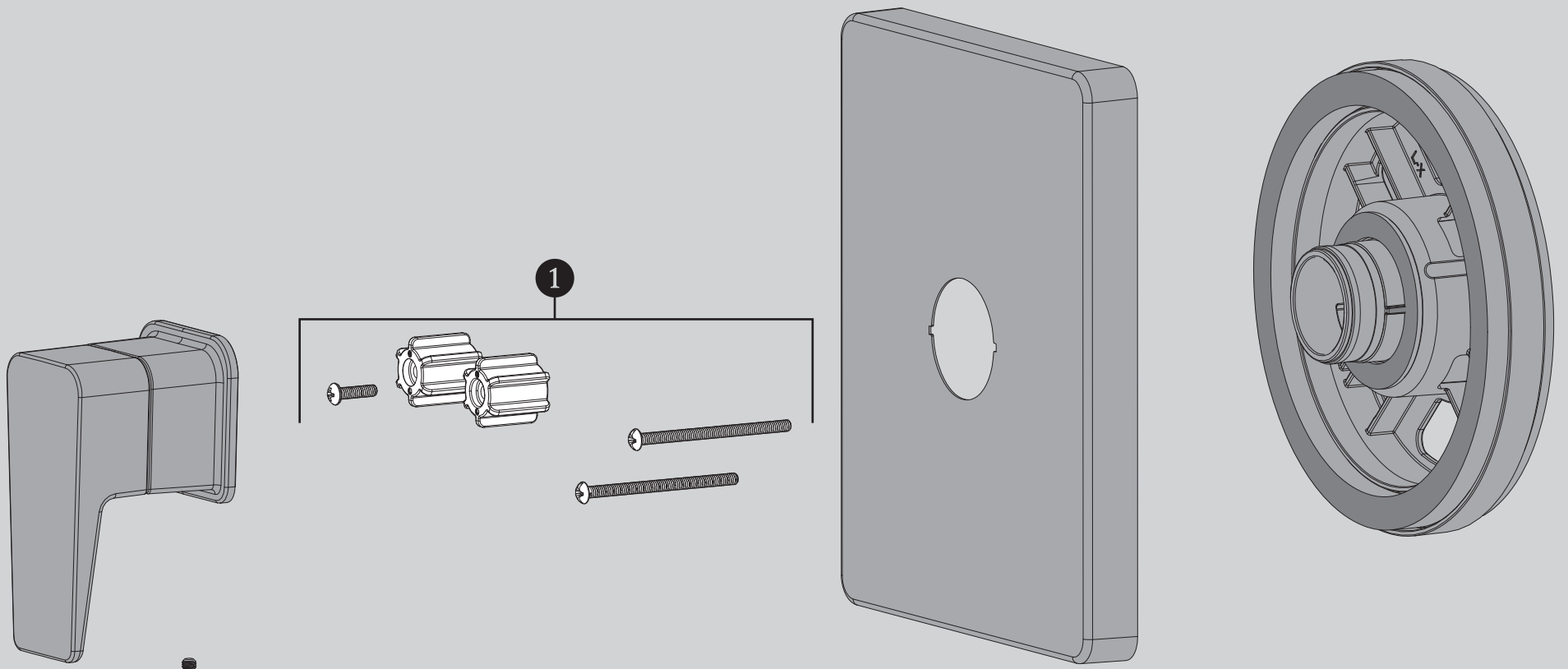


4 Place Wall Plate (3) onto Mounting Base. Align the flat tabs on the Mounting Base with the cut outs on the Wall Plate as shown for perfect fit.



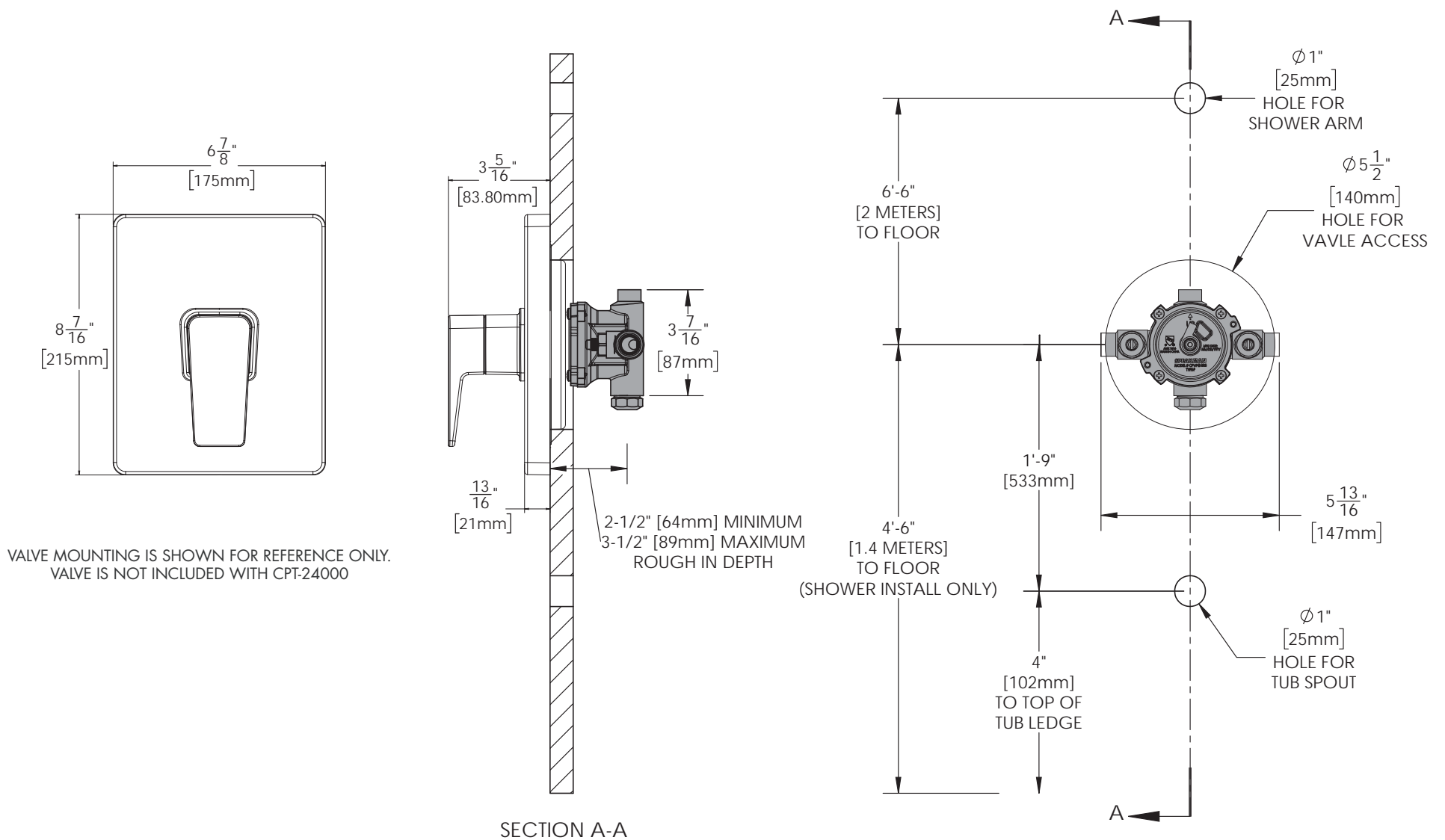
5 Orient the Handle Assembly (1) as shown below. Place Handle Assembly (1) onto the Mounting Base while guiding the splines of the Adapter (2) into the Handle Assembly (1). Align the Mounting Base Tabs (3) into the corresponding recesses of the Handle Assembly (1). Once all items are aligned, press Handle Assembly (1) inward toward Wall Plate. Secure Handle Assembly (1) by tightening Set Screw (4) with supplied Allen Wrench.





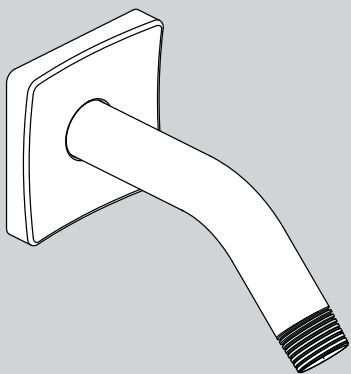
ITEM NO.	PART NO.	DESCRIPTION
1	RPG05-0874	MOUNTING HARDWARE

CPT-24000 ROUGH-IN DIAGRAM



INSTRUCTIONS FOR MODELS

S-2560



NEED HELP?

For additional assistance or service please contact:

SPEAKMAN® Company
400 Anchor Mill Road
New Castle, DE 19720

800-537-2107

customerservice@speakman.com

www.speakman.com

92-S-2560-R3

TOOLS AND SUPPLIES

Thread Seal
Tape



Allen Wrench
(Included)



IMPORTANT



Be sure to read instructions thoroughly before beginning installation. Do not overtighten any connections or damage may occur.

SAFETY TIPS

Cover your drain to prevent loss of parts.

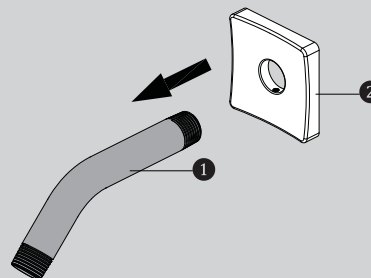
MAINTENANCE

Your new Shower Arm is designed for years of trouble-free performance. Keep it looking new by cleaning it periodically with a soft cloth. Avoid abrasive cleaners, steel wool and harsh chemicals as these will dull the finish and void your warranty.

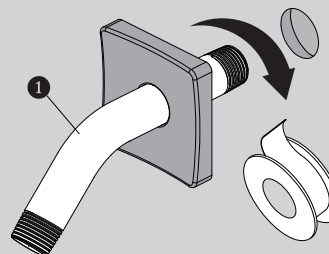
WARRANTY

Additional warranty information can be found at:
www.speakman.com

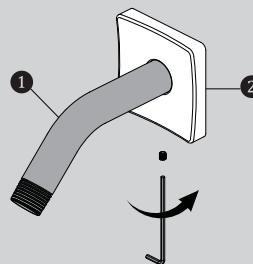
- 1 Slide Escutcheon Plate (2) over the long end of the Shower Arm (1).



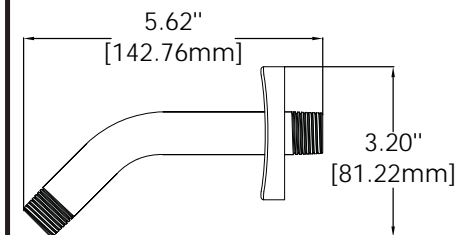
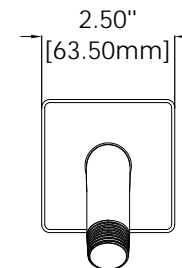
- 2 Apply Teflon Tape to inlet side of Shower Arm (1). Thread Shower Arm (1) into Female Pipe Fitting within the wall. Firmly tighten, and make sure Shower Arm (1) Outlet is pointing in a downward position.



- 3 Position Escutcheon Plate (2) flat against wall. Secure Escutcheon Plate (2) to Shower Arm (1) by tightening set screw with allen wrench (Hex: 2.0mm) provided.



ROUGH IN DIMENSIONS



M4X0.7-6g

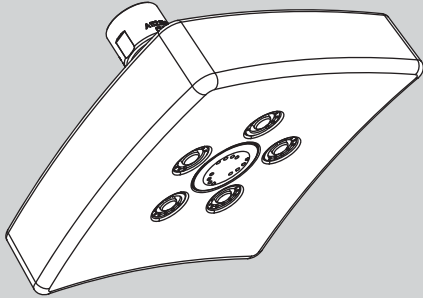
Specifications:

Supply Inlet: 1/2" NPT MALE

Outlet: 1/2" NPT MALE

INSTRUCTIONS FOR MODELS


S-3021
S-3021-E2
S-3021-E175



NEED HELP?

For additional assistance or service please contact:

SPEAKMAN® Company
400 Anchor Mill Road
New Castle, DE 19720

 800-537-2107

 customerservice@speakman.com

 www.speakman.com

92-S-3021-03

TOOLS AND SUPPLIES

Thread Seal
Tape
(included)



Adjustable
Wrench



IMPORTANT



Be sure to read instructions thoroughly before beginning installation. Do not overtighten any connections or damage may occur.

SAFETY TIPS

Cover your drain to prevent loss of parts.

MAINTENANCE

Periodic cleaning using a mild soap and warm water will help keep your Showerhead's appearance in its original condition.

For best results, dry immediately with a soft, clean cloth. **DO NOT USE** harsh and/or abrasive cleaners.

To help restore the finish, occasionally apply a non-abrasive wax to your showerhead body (follow manufacturers' instructions).

On **CHROME PLATED SHOWER HEADS**, a two (2) part white vinegar, one (1) part water solution can be used to break down excessive mineral deposits on the sprays. Let the showerhead soak in the solution for about ½ hour then rinse thoroughly. Brush off any remaining mineral deposits if necessary.

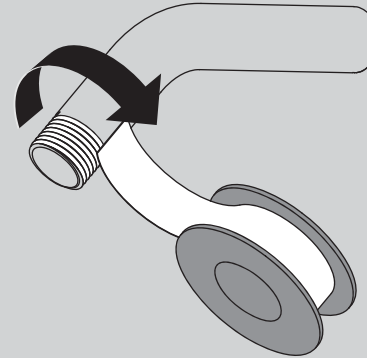
DO NOT USE the vinegar/water treatment on any finish other than Chrome.

To reduce mineral build-up, turn the handle to **FLOOD** position to let the water drain out after every use.

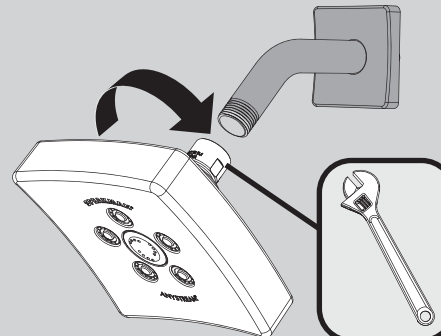
WARRANTY

Additional warranty information can be found at:
www.speakman.com

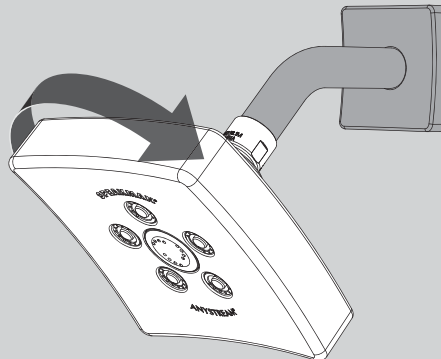
1 Apply Thread Seal Tape to the outlet side of shower arm in a clockwise direction.



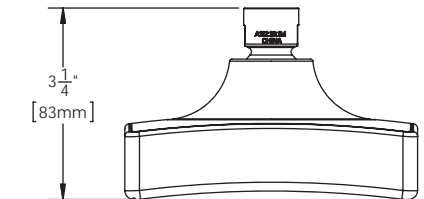
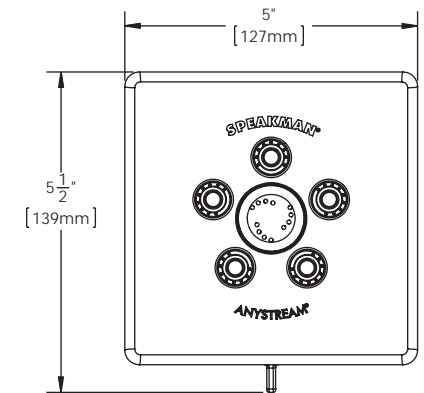
2 Thread Shower head onto shower arm by turning it in a clockwise direction. Tighten with adjustable wrench. Turn water supply on and check for leaks.



3 Adjust spray pattern by rotating faceplate to preferred Anystream® position.



ROUGH IN DIMENSIONS



Model: S-3021
Max. Flow Rate: 2.5 gpm (9.5L/min)
Min. Flow Rate: 2.0 gpm (7.6 L/min) @ 45psi
FOR USE WITH AUTOMATIC COMPENSATING VALVES RATED AT 7.6 L/MIN (2.0 GPM) OR LESS.

Model: S-3021-E2
Max. Flow Rate: 2.0 gpm (7.6 L/min)
Min. Flow Rate: 1.5 gpm (5.7 L/min) @ 45psi
FOR USE WITH AUTOMATIC COMPENSATING VALVES RATED AT 6.6 L/MIN (1.75 GPM) OR LESS.

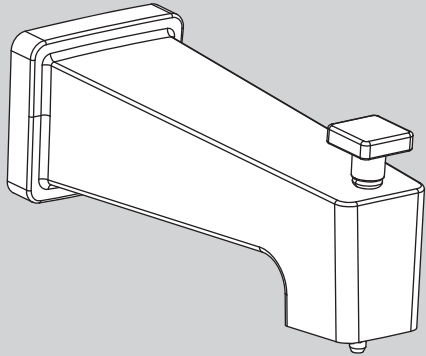
Model: S-3021-E175
Max. Flow Rate: 1.75 gpm (6.6 L/min)
Min. Flow Rate: 1.3 gpm (4.9 L/min) @ 45psi
FOR USE WITH AUTOMATIC COMPENSATING VALVES RATED AT 5.7 L/MIN (1.5 GPM) OR LESS.

Specifications:

Inlet: 1/2" NPT FEMALE

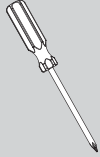
INSTRUCTIONS FOR MODELS

S-1569



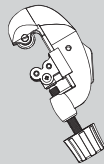
TOOLS AND SUPPLIES

Phillips
Screwdriver

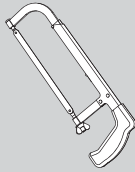


HELPFUL TOOLS & SUPPLIES:

Tubing
Cutter



Hacksaw



Safety
Glasses



IMPORTANT



- Do not over-tighten any connections or damage may occur.
- Be sure to read instructions thoroughly before beginning installation.

SAFETY TIPS



Cover your drain to prevent loss of parts. Be sure to wear eye protection while cutting pipe.

MAINTENANCE



Your new Speakman product is designed for years of trouble-free performance. Keep it looking new by cleaning it periodically with a soft cloth. Avoid abrasive cleaners, steel wool, and harsh chemicals as these will dull the finish and void your warranty.

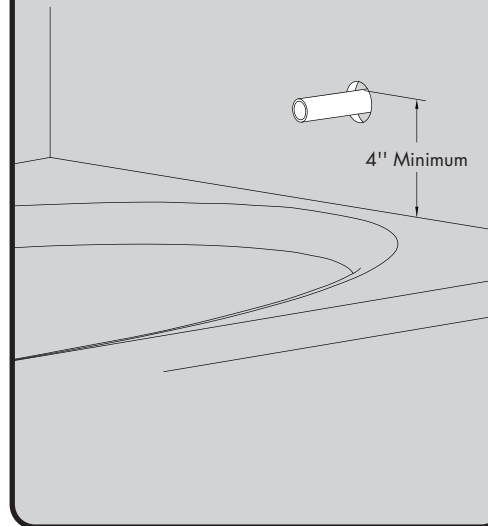
WARRANTY



Additional warranty information can be found at: www.speakman.com

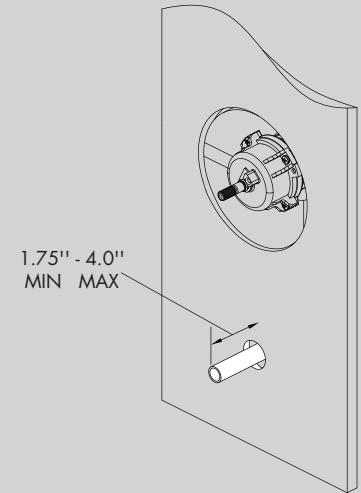
1

The minimum distance between the center of the tub spout and the rim of the tub should be no less than 4".



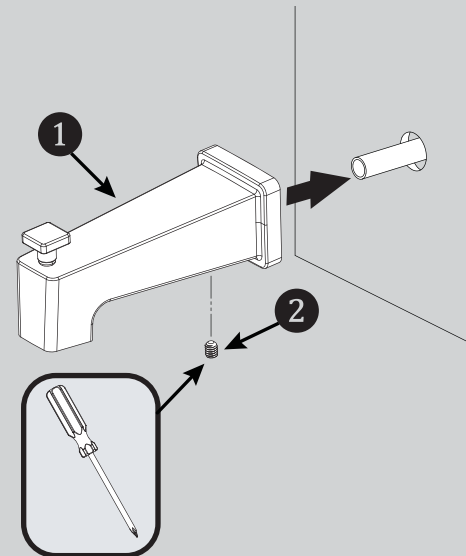
2

The stub out for the 1/2" pipe should extend a minimum of 1.75" from the wall, but not to exceed 4" from wall. Remove all burrs and sharp edges from the stub out 1/2" pipe.

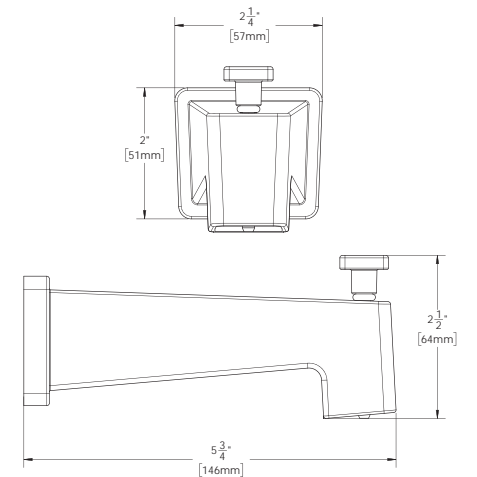


3

Slide Spout (1) over exposed stub out pipe until flush to wall. Center the Spout (1) on the wall and tighten Set Screw (2) from underneath with a Phillips Screwdriver.



ROUGH-IN DIAGRAM



DIMENSIONS SUBJECT TO CHANGE WITHOUT NOTICE.

NEED HELP?

For additional assistance or service please contact:

SPEAKMAN® Company
400 Anchor Mill Road
New Castle, DE 19720

800-537-2107

customerservice@speakman.com

www.speakman.com

92-S-1569-01