

SPECIFICATION:

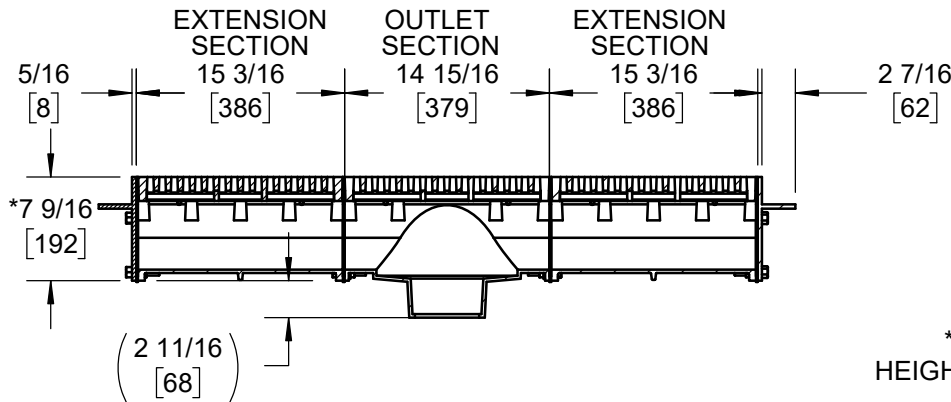
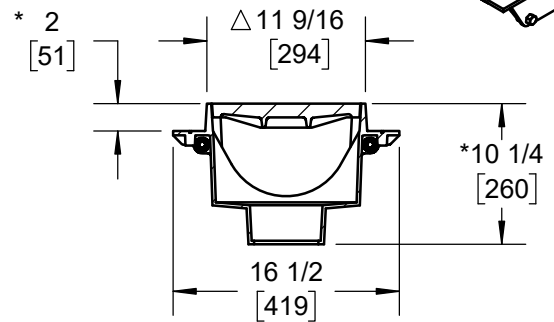
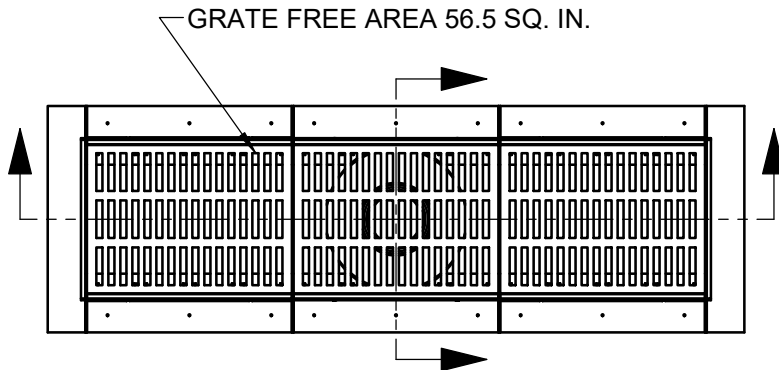
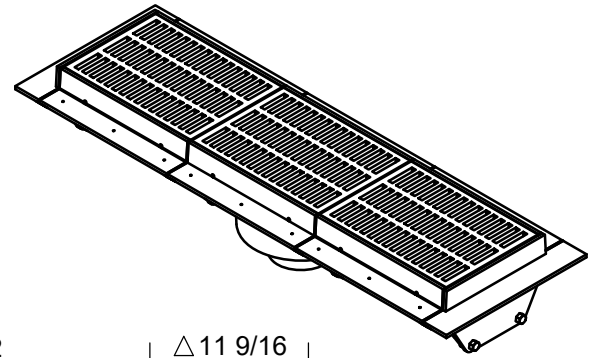
JOSAM 76010 SERIES COATED CAST IRON RECTANGULAR SECTIONAL TRENCH DRAIN WITH HEAVY-DUTY BODY SECTIONS AND INTEGRAL ANCHOR FLANGE, HEAVY-DUTY LOOSE-SET GRATES AND BOTTOM OUTLET INSIDE-CAULK CONNECTION.

TRENCH DRAIN
12" WIDE, RECTANGULAR

SERIES **76010**

SLOT WIDTH 2-3/4" x 7/16" (-1 & -2 SLOT WIDTH 2-3/4" x 7/16")

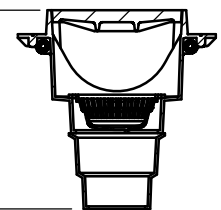
ASSEMBLY SHOWN AS EXAMPLE ONLY



PIPE SIZE	
	3"
	4"
	6"

*13 1/2
HEIGHT OF 6" -70

*16 9/16
HEIGHT OF 3" -70
AND 4" -70



-70 SEDIMENT BUCKET
CAST IRON OPTION SHOWN

9/32 WEEPHOLES STANDARD ON ALL SECTIONS

IT IS RECOMMENDED THAT NO MORE THAN EIGHT (8) EXTENSION SECTIONS BE USED WITH ONE (1) OUTLET SECTION.

*ADD 1/4" FOR NIKALOY OR BRONZE TOP.

△ADD 3/8" TO WIDTH & OVERALL LENGTH FOR NIKALOY OR BRONZE TOP.

-EXT	EXTENSION SECTION
-1	SATIN FINISH NIKALOY TOP
-2	SATIN FINISH BRONZE TOP
-7	DUCTILE IRON GRATE
-11	CONVEX GRATE

-VP	SECURED GRATE, VANDAL-PROOF SCREWS
-30	FLASHING CLAMP DEVICE
-40	GALVANIZED CAST IRON PARTS
-70	SEDIMENT BUCKET, CAST IRON
-40-70	BUCKET, GALVANIZED
-ARE	ACID RESISTANT EPOXY COATING

DATE OF LAST CHANGE: 11/05/19

DIMENSIONS ARE SUBJECT TO MANUFACTURERS TOLERANCES AND CHANGE WITHOUT NOTICE. WE CAN ASSUME NO RESPONSIBILITY FOR USE OF SUPERSEDED OR VOID DATA.

JOSAM
MICHIGAN CITY, INDIANA

NOTES