

Invizible™ Water Heater

IDEAL APPLICATIONS: Manual, Metering, or Sensor Faucet ; Bar and Utility

Invizible™ PRODUCT FEATURES

- Invizible™ wall sleeve conceals your Chronomite Heater inside the wall
- Chassis is ideally suited for new installations or for remodeling in masonry, tile, wood or other wall surfaces
- Series starts with 3-1/4" Depth Chassis allowing for standard wall depth installations
- 6 entry points to route electrical and water connections in any direction as needed per installation
- 4 bottom entry points constructed with knockouts for bulkhead and or sealed installation
- Slots in Chassis allow for different wall thicknesses and allow easy adjustment to align Wall Frame
- 1/4" mounting holes (Quantity 12 in chassis)
- Door/Frame (16 gage) and Chassis (20 gage) are fabricated from galvanized steel with a prime coat white finish
- Concealed Pivoting Rod Hinge prevents distortion and closes door squarely
- Pem Studs #8-32 are provided on chassis for easy mounting of CM or M series heater
- Models with Electrical Disconnect are pre-wired for ease of installation
- Latch is screwdriver operated (Standard Models)
- Door Frame is one piece construction, 1" wide and provides perfect concealment of the rough wall opening
- Door has rounded safety corners
- Patent Pending



GUIDE SPECIFICATION

Wall Sleeve shall be a Chronomite Laboratories Model

Z - _____

_____ OPTIONS

Unit shall be fabricated from galvanized steel with a white prime coat finish suitable for painting. Access door shall have rounded safety corners and concealed pivoting rod hinge. Door/Frame 16 gage and wall sleeve 20 gage thickness. Latch shall be screwdriver operated. Wall Sleeve to have 10 entry points including 4 knockouts for bulkhead and or sealed installation.

OPTIONS

- -AKL Allen Key Latch
- -CL Cylinder Lock (one per door)
- -SS Stainless Steel Construction (Type 304 No. 4 Satin Finish)

| MODEL NUMBERS | NOMINAL SIZE | WALL OPENING | ELECTRICAL DISCONNECT |
|---------------|--------------|----------------------------|-----------------------|
| Z-S1212 | 12" x 12" | 12-1/2" x 12-1/2" x 3-1/4" | NO |
| Z-S1616D | 16" x 16" | 16-1/2" X 16-1/2" x 5-1/4" | YES / PRE-WIRED |

Complies with Standards for:

CHRONOMITE LABORATORIES, INC.

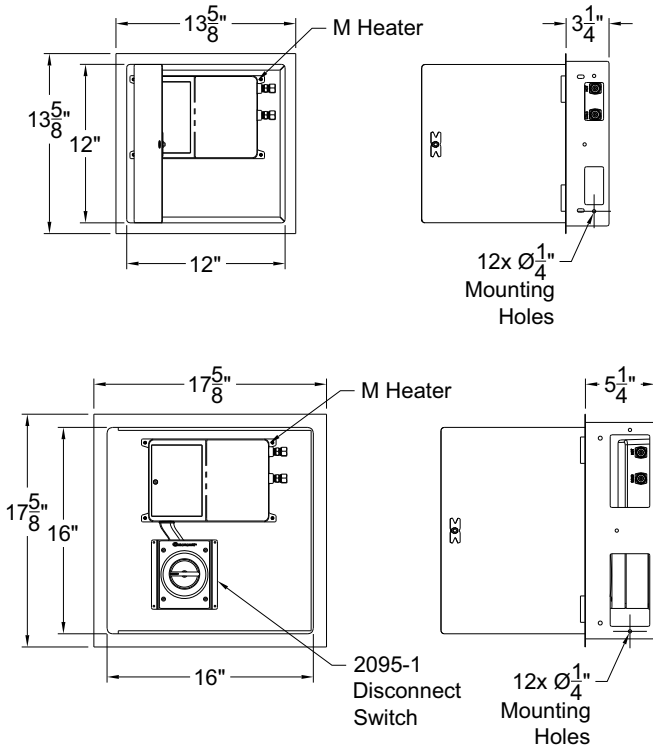
17451 Hurley St. :: City of Industry, CA 91744
Phone 800-447-4962 :: 626-937-4270
Fax 626-937-4279 :: www.chronomite.com

MEMBER OF



Invincible™ Water Heater

M Series Heater



GUIDE SPECIFICATION

Tankless Water Heater shall be a Chronomite Laboratories Model

M - **L** /
AMPS VOLTS OPTIONS

with Amps and Volts

to heat to a preset temperature of:

- 104°F (40°C)
- 110°F (43°C) (Meets ADA)
- Other temperature settings available upon request (specify below)
- 120°F (49°C) (Meets health code)

Unit shall be provided with Celcon waterways, and Nichrome heating coils. Temperature controlled by microprocessor.

OPTIONS

- PA 765 ABS Housing (P)
- Satin Finish Stainless Steel Housing (SS)
- High Polish Finish Stainless Steel (SSP)
- 1/2" Male NPT (NPT08)
- Field Adjustable Temperature 104°F-125°F (ADJ)
- Disconnect Switch, Rotary 40A - Lockable Nema 4X (2095-1)

For the model being selected, please place the corresponding amps and volts values in the Guide Specifications to the right.

| MODEL | AMPS | VOLTS | WATTS | ACTIVATION GPM | °F TEMPERATURE RISE @ | | |
|-------------|------|-------|-------|----------------|-----------------------|----------|----------|
| | | | | | 0.80 GPM | 1.00 GPM | 2.00 GPM |
| M-15L / 277 | 15 | 277 | 4150 | 0.35 | 35 | 28 | - |
| M-20L / 120 | 20 | 120 | 2400 | 0.35 | 20 | - | - |
| M-20L / 208 | 20 | 208 | 4160 | 0.35 | 36 | 28 | - |
| M-20L / 240 | 20 | 240 | 4800 | 0.35 | 41 | 33 | - |
| M-20L / 277 | 20 | 277 | 5540 | 0.35 | 47 | 38 | - |
| M-30L / 120 | 30 | 120 | 3600 | 0.35 | 31 | 25 | - |
| M-30L / 208 | 30 | 208 | 6240 | 0.35 | 53 | 43 | 21 |
| M-30L / 240 | 30 | 240 | 7200 | 0.35 | 61 | 49 | 25 |
| M-30L / 277 | 30 | 277 | 8310 | 0.35 | 71 | 57 | 28 |
| M-40L / 208 | 40 | 208 | 8320 | 0.35 | 71 | 57 | 28 |
| M-40L / 240 | 40 | 240 | 9600 | 0.35 | 82 | 66 | 33 |

Chronomite Laboratories assumes no responsibility for use of void or suspended data. © Copyright Chronomite Laboratories, Inc. Member of Morris Group International, City of Industry, CA Please visit www.chronomite.com for most current specifications.

| | | |
|---|--|----------------|
| SELECTION SUMMARY & APPROVAL FOR MANUFACTURING | Company _____ | |
| | Model Number & Options _____ | Quantity _____ |
| | Contact _____ | Title _____ |
| | Signature (Approval for Manufacturing) _____ | Date _____ |
| | CHRONOMITE LABORATORIES, INC. PH. 800-447-4962 626-937-4270 FAX 626-937-4279 www.chronomite.com | |