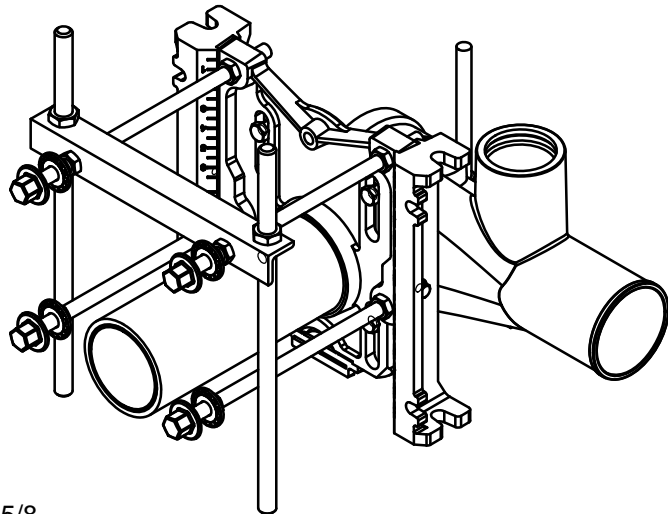
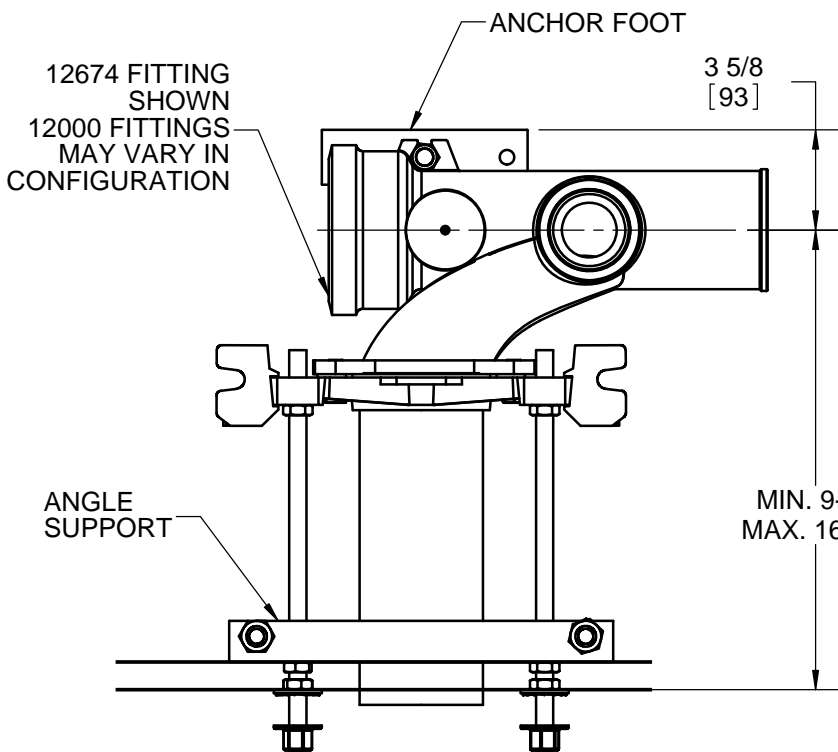


SPECIFICATION:

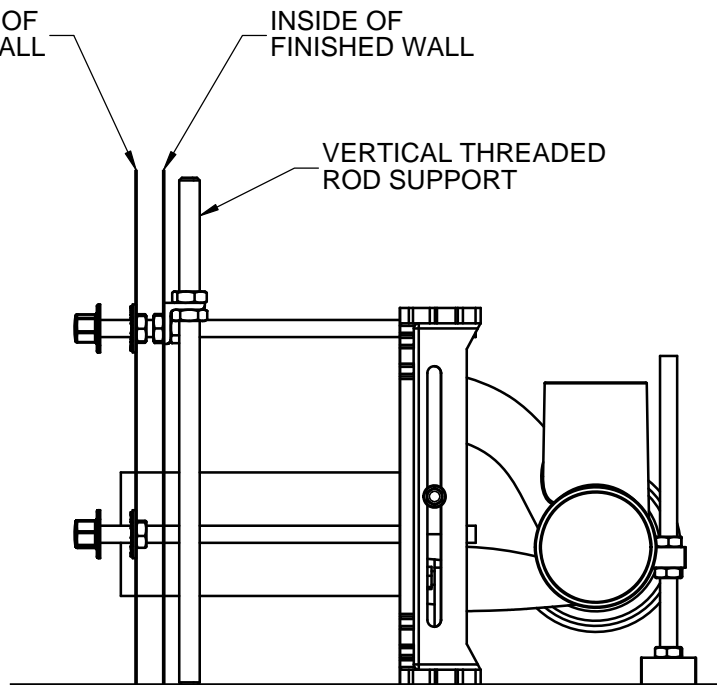
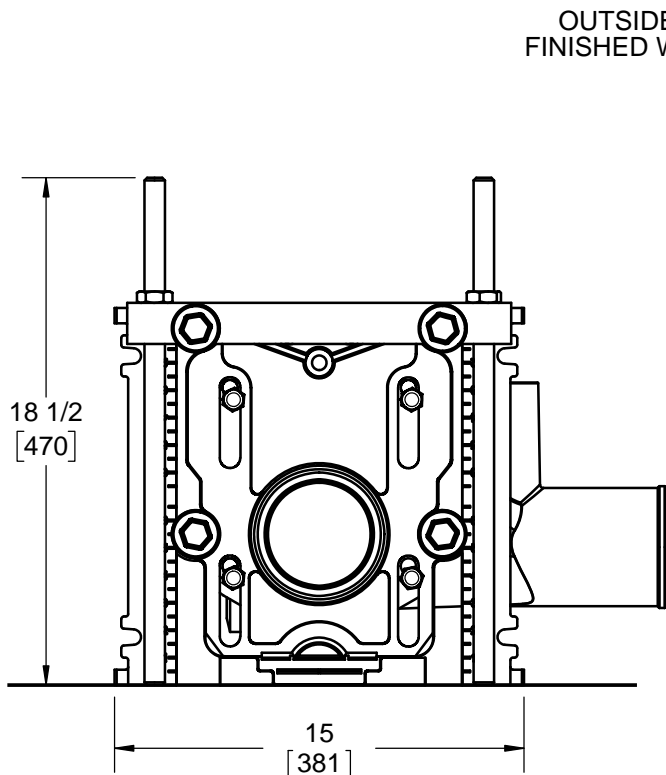
JOSAM 12600-HS-XSD SERIES COATED CAST IRON HORIZONTAL 4" HUB & SPIGOT FITTING WITH 2" NO-HUB VENT & ADJUSTABLE CARRIER BODY, INVERTIBLE FOR SIPHON JET OR BLOWOUT CLOSETS, WITH ABS EXTENSION WITH INTEGRAL TEST CAP, PYLON FEET, ANCHOR FOOT, ANGLE SUPPORT, THREADED ROD, PLATED HARDWARE AND NEOPRENE FIXTURE GASKET.

**BARIATRIC CARRIER
(LEFT HAND SHOWN)**

SERIES 12600-HS-XSD



REFER TO 12600-XSD SUBMITTAL FOR MORE DIMENSIONS.



RECOMMEND CONCRETE ANCHORS WITH 750 LBS. PULL-OUT FORCE EACH.

THIS PRODUCT MEETS OR EXCEEDS THE REQUIREMENTS OF ANSI A112.6.1M-1997 WHEN TESTED AT 1,000 POUNDS.

WARNING: Cancer and Reproductive Harm - www.P65Warnings.ca.gov

DATE OF LAST CHANGE: 5/29/18

DIMENSIONS ARE SUBJECT TO MANUFACTURERS TOLERANCES AND CHANGE WITHOUT NOTICE. WE CAN ASSUME NO RESPONSIBILITY FOR USE OF SUPERSEDED OR VOID DATA.

JOSAM
MICHIGAN CITY, INDIANA

NOTES