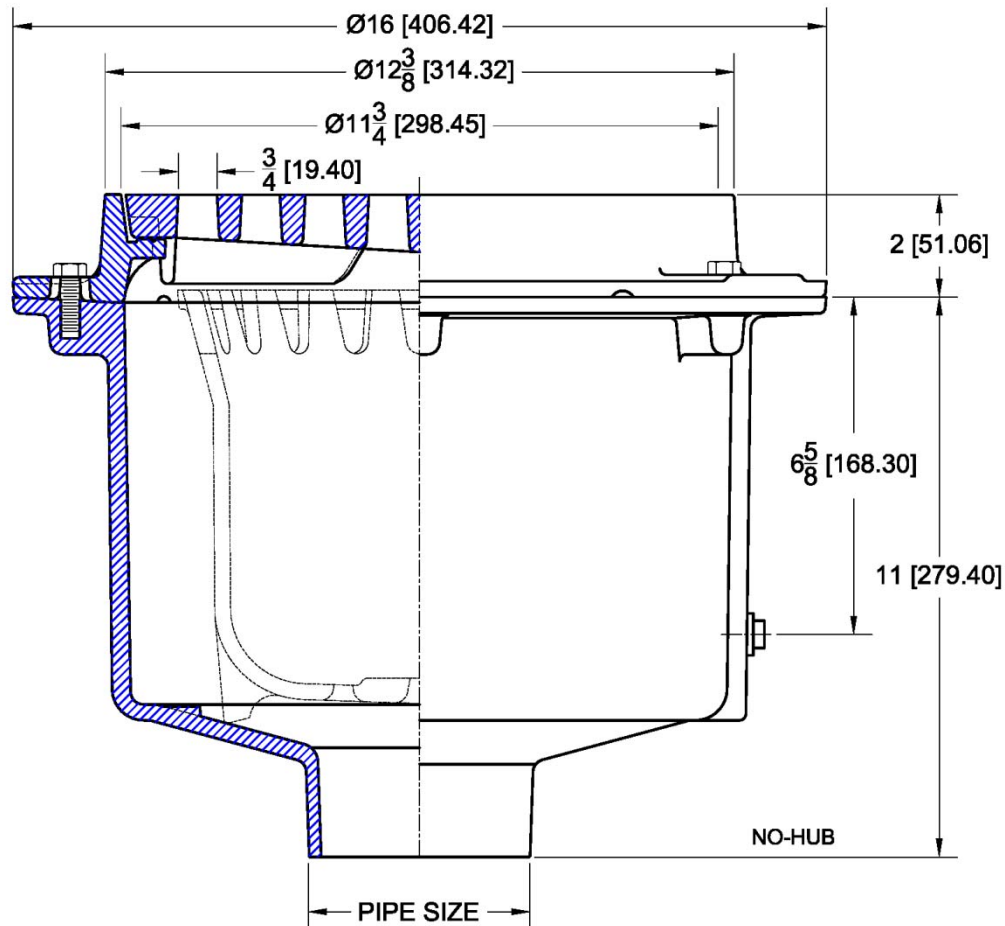


## 1220 Floor Drain with Round Fixed Top – Slotted Grate

Regularly Furnished: Painted cast iron floor drain with anchor flange, seepage openings, clamping collar, ductile iron slotted grate, deep sump body, ½” NPT trap primer tap (plugged) and bottom outlet.  
ASME Load Rating = S.D. (Special Duty) Over 10,000 Lbs.



Top Material		
✓	Suffix	Description
	-1	Satin Finish Nickel Bronze Veneer
	-2	Satin Finish Bronze Veneer
	-12	Ductile Iron
	-102	Polished Chrome Plated Brass Veneer
	-304	Satin Finish 304 Stainless Steel Veneer

Outlet Variations		
✓	Type	Designation
	No-Hub	3NH, 4NH, 6NH, 8NH

Funnels		
✓	Suffix	Description
	-EF4	4" Round Funnel Assembly
	-EF6	6" Round Funnel Assembly
	-EG8	8" Elongated Funnel Assembly

Options		
✓	Suffix	Description
	-ARC	Acid Resistant Coating (C.I. Parts)
	-E	Elastomeric Flange *
	-TSD	Trap Seal Device (Model 4405)
	-TD	Grate Supported Bucket
	-VP	Vandal Proof Secured Grate
	-7	Dome Grate
	-8	Secondary Strainer
	-11	Heel Proof Grate
	-14	Hinged Grate
	-18	Solid Cover
	-23	Grate Riser (2" High)
	-27	Sediment Bucket
	-31	Backwater Valve (2,3,4" Only)
	-33	Closure Plug
	-39	Galvanized Iron Parts
	-83	Special Engraving