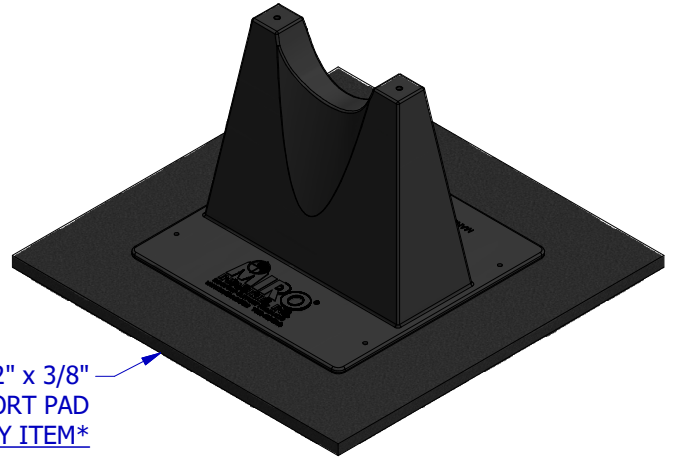
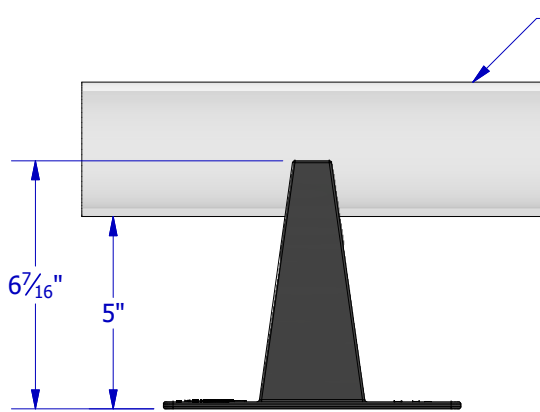


**TOP VIEW**



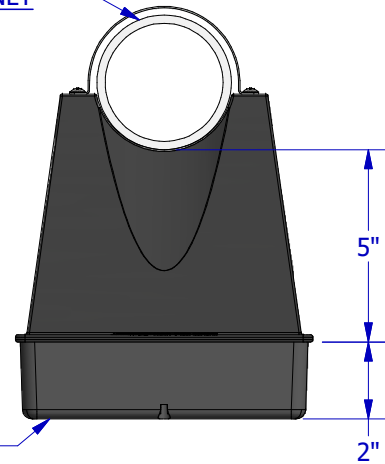
12" x 12" x 3/8"  
SUPPORT PAD  
\*ACCESSORY ITEM\*

**ISOMETRIC VIEW**



**SIDE VIEW**

3" SCH. 40 PIPE  
ILLUSTRATION ONLY



3-R SPACER  
\*ACCESSORY ITEM\*

**END VIEW**

**ACCESSORIES**

- 3.0 pipe guide
- 3-R spacer
- 12x12 Support pad
- Eternabond® 2-sided tape

**PRODUCT DESCRIPTION**

A pipe support used to support roof-mounted gas pipes, electrical conduit, solar piping and other mechanical piping. Unique design absorbs thermal expansion and contraction of pipes thus preventing damage to the roof membrane. Pipes rest in a 'U' shaped cradle situated in a polycarbonate resin base.

**KEY INFORMATION**

- Support is optimized to carry up to a 3" pipe.
- Maximum pipe OD for the support is 3.6".
- Pipe clearance is 5"
- 3-R Spacer accessory adds an additional 2" of height per spacer. Manufacturer recommends a maximum of (2) spacer be used.
- Maximum load is 120 lbs. based on 3.0 psi to the roof deck. Even load required.
- 16 per case, 20 lbs. per case, (DW= 16 lbs.)
- Recommended spacing is not to exceed 10' centers depending upon the load. Make certain each pipe support is properly elevated to evenly distribute weight at all pipe support locations.
- Base Material: Polycarbonate
- 20 Year Warranty