

Location: \_\_\_\_\_



**R1270-RG**

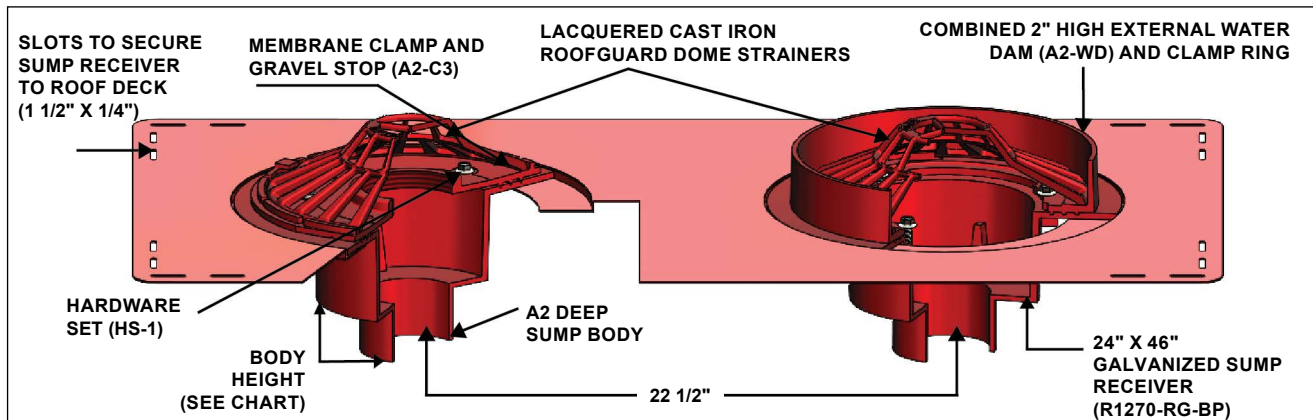


**COMBINED LARGE SUMP ROOF DRAIN WITH SECONDARY OVERFLOW AND 19" DIAMETER CAST IRON ROOFGUARD**

**Specification:** MIFAB® Series R1270-RG combined large sump roof drain and secondary overflow system; consisting of 24" x 46" galvanized steel sump receiver, two lacquered cast iron bodies with 15" diameter anchor flange, one cast iron waterproofing membrane clamp ring with integral gravel stop and a second 2" high, cast iron external combined water dam and waterproofing membrane clamp ring. Complete with two 12.25" diameter cast iron RoofGuard dome strainers with horizontal and perimeter drainage slots to prevent logging of the roof domes.

Patent # D803992

**Function:** Used in any type of conventional or flat roofs where a safety overflow, which receives water only when the accumulation is greater than the height of the 2" water dam, is required to be located beside a standard (or primary) roof drain. Patented design significantly increases the surface area making the drain virtually uncloggable. The greatly increased surface area and perimeter drainage eliminates leaks and standing water on the roof. The underdeck clamp rings are eliminated with this product because the roof drain bodies are bolted to the underside of the sump receiver and is therefore fixed. Three pieces of 5/16" x 3/4" hardware bolts and washers are provided to secure the MIFAB A2 bodies to the underside of the R1270-BP.



PIPE SIZE	BODY HEIGHT				
	NO HUB (STANDARD)	PUSH ON (P)	THREADED (T)	INSIDE CAULK (X)	PVC/ABS (-30)/(-31)
2" (51)	5 3/4" (146)	5 1/2" (140)	6 1/2" (165)	6 1/2" (165)	6 3/4" (171)
3" (76)	5 3/4" (146)	5 1/2" (140)	6 5/8" (168)	6 1/2" (165)	7 1/2" (191)
4" (102)	5 3/4" (146)	5 1/2" (140)	5 1/2" (140)	6 1/2" (165)	7 5/8" (194)
5" (127)	5 3/4" (146)	—	6 5/8" (168)	6 3/4" (171)	—
6" (152)	7 1/4" (184)	5 5/8" (143)	5 5/8" (143)	6 1/2" (165)	—
8" (203)	5 7/8" (149)	—	—	(See note *)	—

SUFFIX	OPTIONAL VARIATIONS	SUFFIX	OPTIONAL VARIATIONS	SUFFIX	OPTIONAL VARIATIONS
-6	Vandal proof domes (metal domes only) (T-20 Torx & pin)	-83	Stainless steel mesh screen over metal domes	T	Threaded outlets (except 8")
-11	Acid resistant epoxy coating	-90	Threaded side outlets (2", 3", 4")	-U	Underdeck clamps
-12	Galvanized metal domes	-90NH	No Hub side outlets (cast iron only) (2", 3", 4")	-U3	Underdeck clamps with cutaway side
-12A	Galvanized bodies and membrane clamps	(Standard)	No hub outlets	-W-1	Water proofing flange
-12B	Galvanized metal domes and membrane clamps	-BA	Buy America Act compliant product	X	Inside caulk outlets
-13	Galvanized bodies, membrane clamps and domes	-E	Adjustable extension	-XJ	Vertical expansion joints (see R1900)
-28	Stainless steel bodies (Type 304) (2", 3", 4")	-EG	Galvanized Adjustable extension		
-30	PVC socket connection bodies (2", 3", 4")	P	Push on outlets		
-31	ABS socket connection bodies (2", 3", 4")	-PA	Pennsylvania Steel Act compliant product		

CALIFORNIA PROPOSITION 65 WARNING. This product contains chemicals known to the State of California to cause cancer and birth defects or other reproductive harm.

Job Name: \_\_\_\_\_ Page No: \_\_\_\_\_

Section No: \_\_\_\_\_ Contractor: \_\_\_\_\_

Schedule No: \_\_\_\_\_ Purchase Order No: \_\_\_\_\_