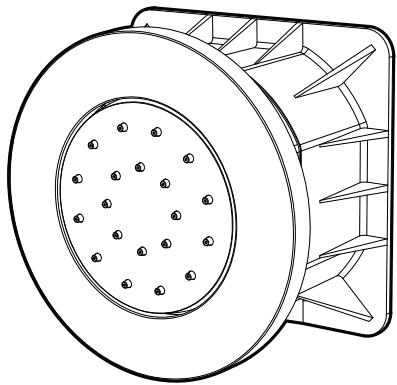
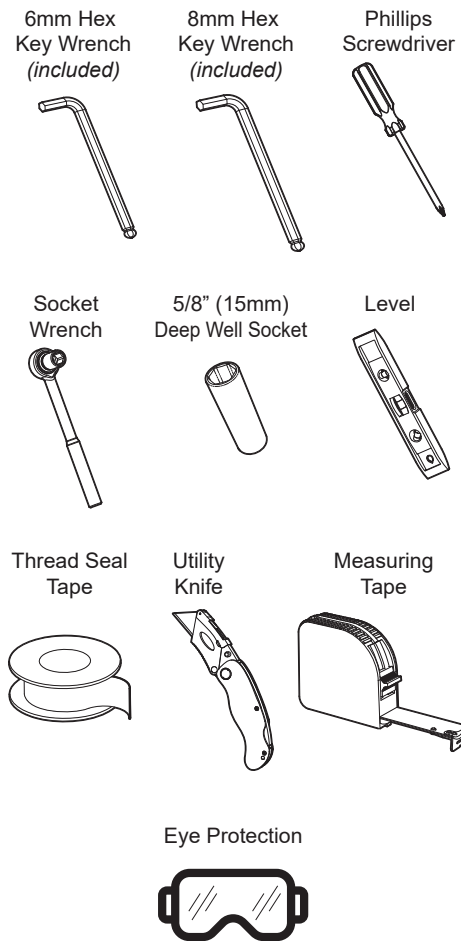


INSTALLATION INSTRUCTIONS

CPT-3310 Body Spray Panel



TOOLS & SUPPLIES NEEDED



IMPORTANT

SAFETY TIPS:

Be sure to read and understand all instructions before beginning installation.
Inspect all connections after installation.
Cover the drain to avoid loss of parts.
Be sure to wear proper eye protection.

MAINTENANCE:

Your new product is designed for years of trouble-free performance. Keep it looking new by cleaning it periodically with a soft cloth. Avoid abrasive cleaners, steel wool, and harsh chemicals as these will dull the finish and void your warranty.

92-CPT-3310-01

NEED HELP?

For additional assistance or service please contact:



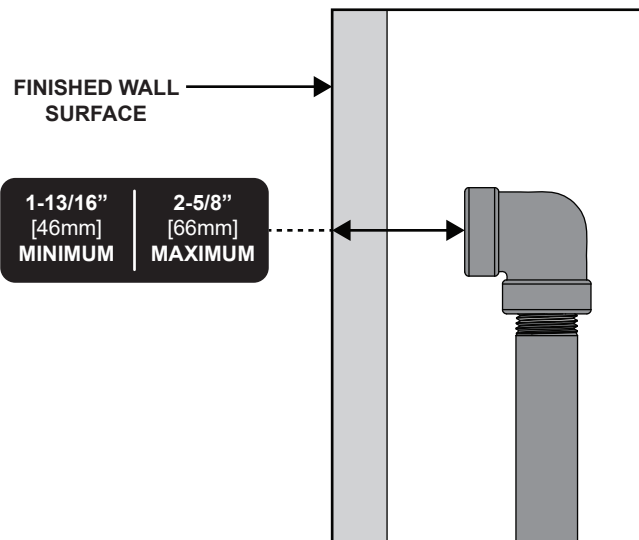
800-537-2107



www.speakman.com

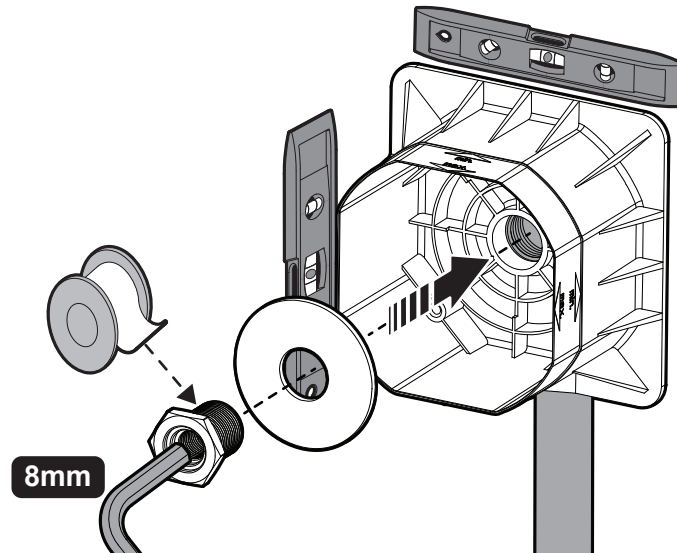
ROUGH IN PLUMBING

- 1 Rough in plumbing according to the diagram shown below. The distance from the front of the Supply Elbow (or Female Nipple) to the front surface of the finished wall **MUST** fall between 1-13/16" [46mm] and 2-5/8" [66mm].



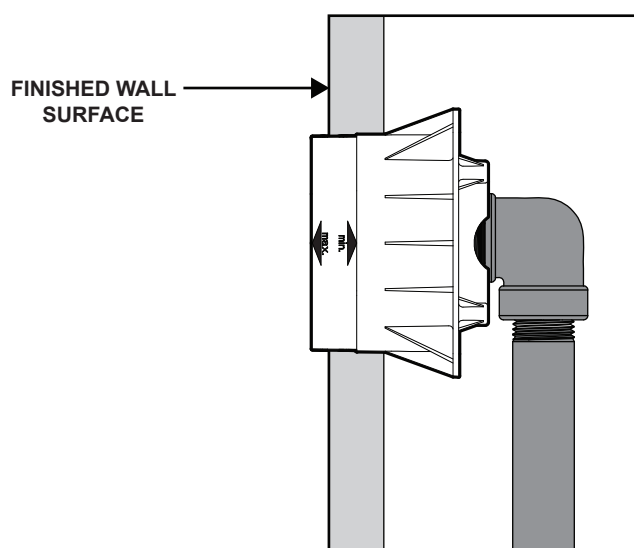
SECURE HOUSING TO PLUMBING

- 2 Apply Thread Seal Tape to the male threads of the Pipe Adapter. Place the Washer over the Pipe Adapter and secure Housing to the rough plumbing. Ensure the Housing is level/plumb and tighten into position using the included 8mm Hex Key Wrench on the internal hex within the Pipe Adapter.



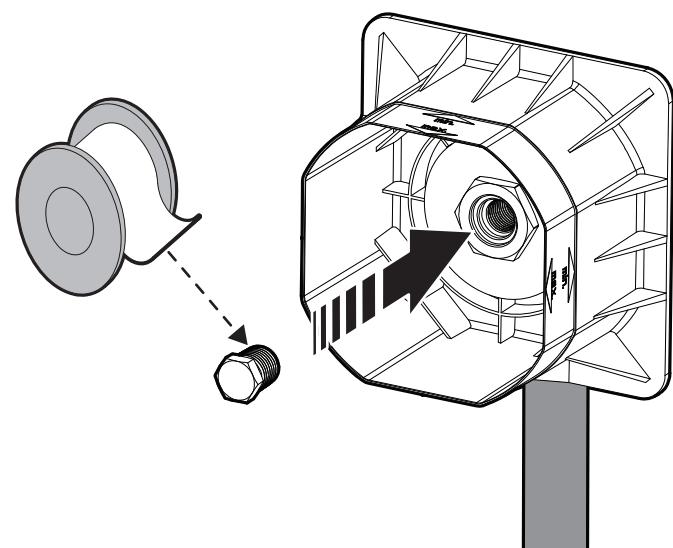
VERIFY ROUGH IN DEPTH

- 3 Verify rough in depth with the Housing attached to rough plumbing. The finished wall surface **MUST** fall between the MIN and MAX markings on the Housing. If it does not, make necessary adjustments to rough plumbing.



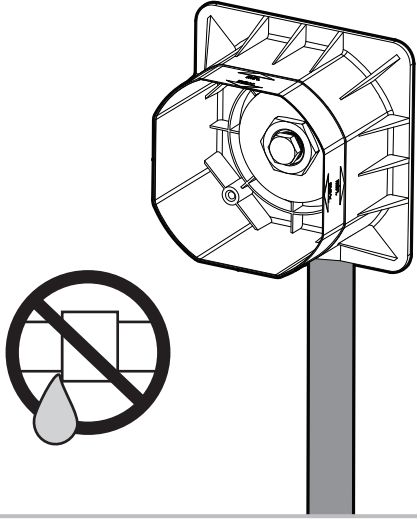
INSTALL TEST PLUG

- 4 Apply Thread Seal Tape to the threads of the Pipe Plug. Thread the Pipe Plug into the Pipe Adapter and secure into position with a Socket Wrench and 5/8" (15mm) Socket.



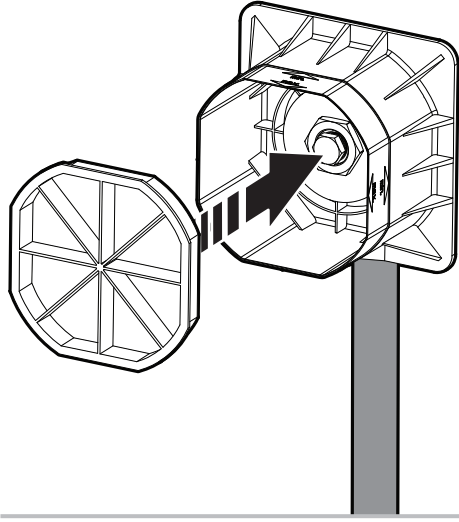
TEST ROUGH PLUMBING

- 5 Turn ON water supply and inspect all rough plumbing connections for leaks.



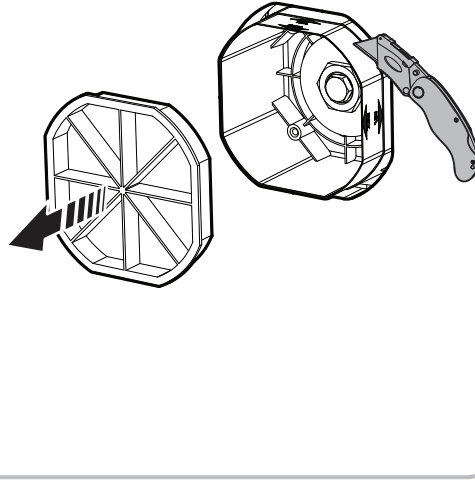
PREPARE FOR FINISHED WALL

- 6 Place Protective Cover Plate into Housing. Finish construction of all wall surfaces.



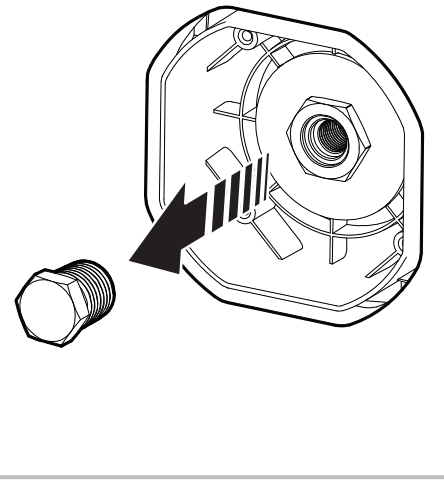
TRIM HOUSING

- 7 After finish wall construction is completed, remove Protective Cover Plate and trim Housing flush to wall using a Utility Knife.



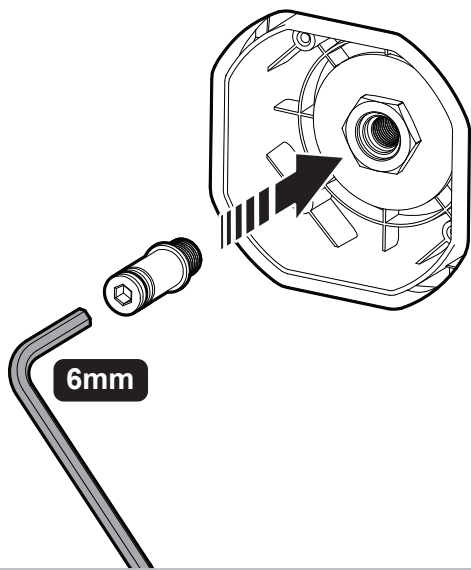
REMOVE TEST PLUG

- 8 Make sure water supplies are turned OFF and water pressure has been relieved from system. Remove Test Plug using a Socket Wrench and 5/8" (15mm) Socket.



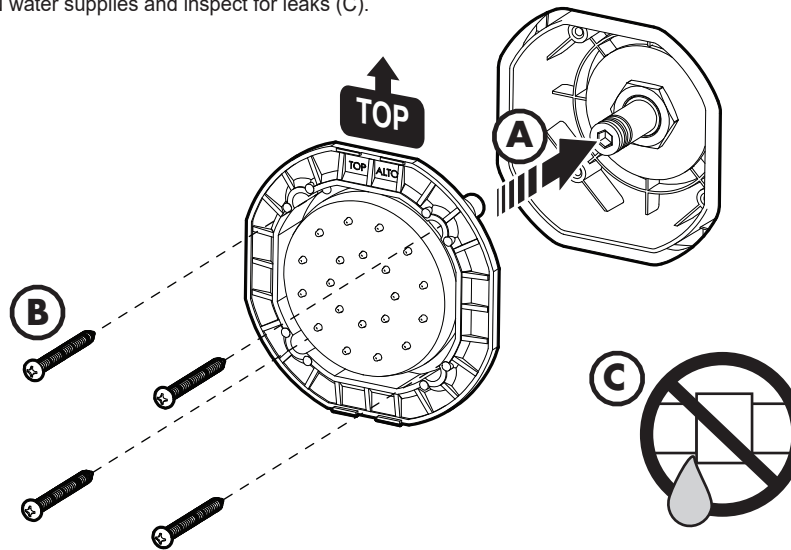
INSTALL CONNECTOR

- 9 Install Connector using the included 6mm Hex Key Wrench.



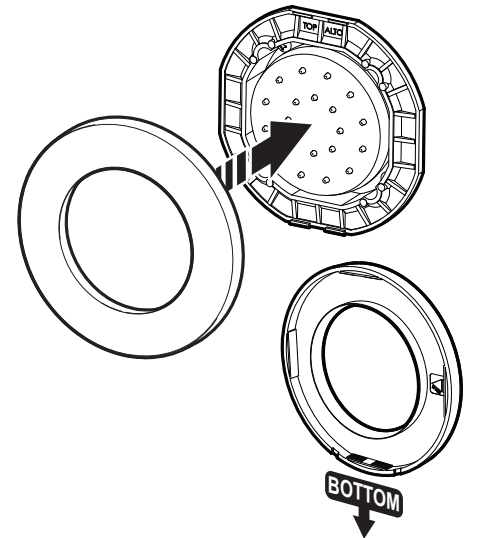
INSTALL SPRAY FACE

- 10 Position Spray Face on to Connector while guiding the O-Ring seals into position (A). Ensure the marking "TOP" is facing upwards. Secure into position with the 4 screws and a Phillips Screwdriver (B). Turn ON water supplies and inspect for leaks (C).



INSTALL TRIM RING

- 11 Position the Trim Ring on to the Spray Face. Ensure the section of the Trim Ring containing drainage cut outs is facing down.



ROUGH-IN DIAGRAM

COMPLIANCE

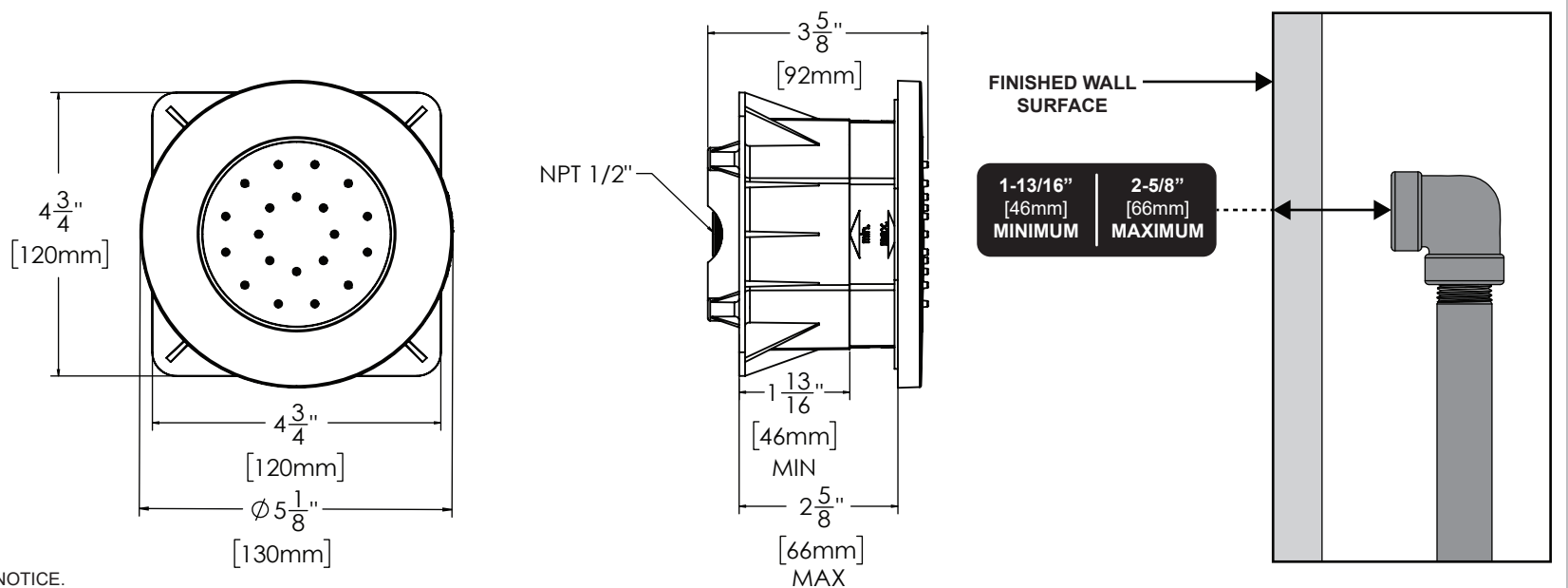
ASME A112.18.1 /
CSA B125.1

CONNECTIONS

1/2" NPT INLET

FLOW RATE

1.06 gpm (4.0 L/min) max.



DIMENSIONS SUBJECT TO CHANGE WITHOUT NOTICE.

PRODUCT WARRANTY

This product is warranted to be free of defects in material and workmanship for the period listed below from the date of installation.

Consumer/Residential: Limited Lifetime Warranty
Commercial Use: 5 Year Limited Warranty

Speakman warrants to its purchasers only ("Buyer") that goods are sold free from defects in materials and workmanship and conform to Speakman's specifications at the time of manufacturing, provided the goods are properly installed and maintained. Buyer's sole and exclusive remedy for any goods that may prove to have had a non-conformance within the Warranty Period shall be, at Speakman's sole option, the repair or replacement of the non-conforming goods. For additional information please go to www.speakman.com.

CALIFORNIA PROPOSITION 65



CALIFORNIA PROPOSITION 65:

WARNING: This product can expose you to chemicals including lead, which is known to the State of California to cause cancer and birth defects or other reproductive harm. For more information go to www.P65Warnings.ca.gov.

Wash hands after installation, repair, or removal of this product.