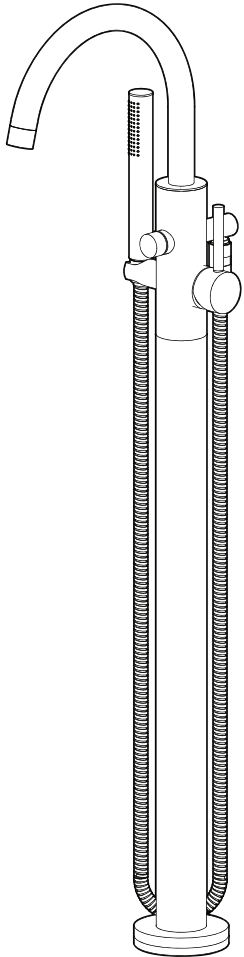


## INSTALLATION INSTRUCTIONS

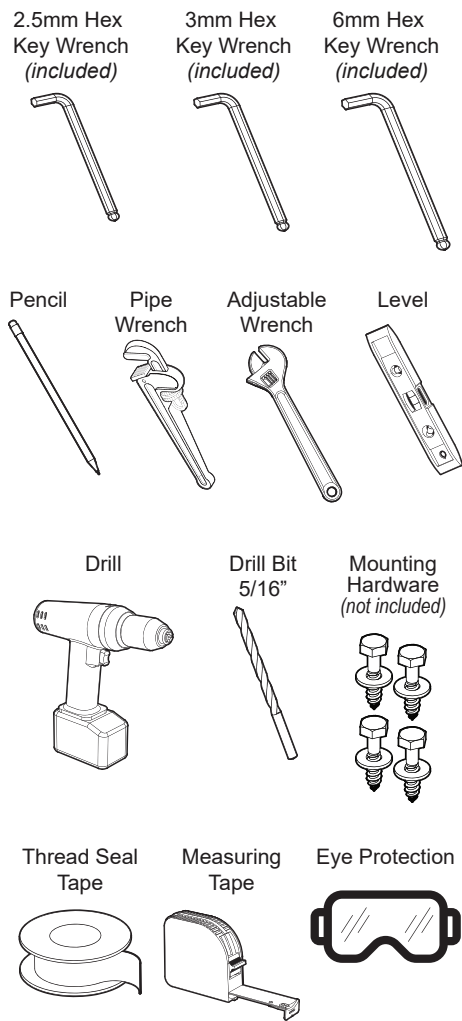
### SB-3132

#### Free Standing Roman Tub Faucet



92-SB-3132-01

## TOOLS & SUPPLIES NEEDED



## IMPORTANT

### SAFETY TIPS:

Be sure to read and understand all instructions before beginning installation.

Inspect all connections after installation.

Cover the drain to avoid loss of parts.

Be sure to wear proper eye protection.

Do NOT over tighten any connections or damage may occur.

Shut OFF water supplies before beginning installation.

Observe all local plumbing and building codes.

Use appropriate drill bits for mounting substrate.

Installer supplied copper tubing (if used) must be a minimum of 5/8" OD (1/2" Nominal)

### CAUTION:

Risk of personal injury. Do NOT use the bath filler as a grab bar or support bar when entering or exiting the bath. The bath filler is NOT designed to support weight.

### MAINTENANCE:

Your new product is designed for years of trouble-free performance. Keep it looking new by cleaning it periodically with a soft cloth. Avoid abrasive cleaners, steel wool, and harsh chemicals as these will dull the finish and void your warranty.

### NEED HELP?

For additional assistance or service please contact:



800-537-2107



www.speakman.com

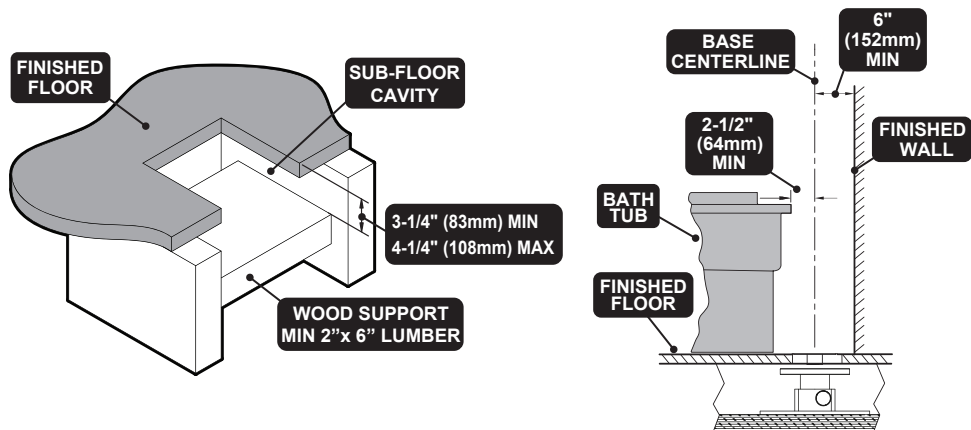
## SITE PREPARATION

- 1 IMPORTANT!** Wood support structure MUST be a minimum of 2" x 6" dimensional lumber. Determine Bath Filler mounting location based on the dimensions in the *ROUGH-IN* diagram located in this document.

If there is an existing sub-floor, remove a section large enough to install the Wood Support between two floor joists, and have access to water supplies.

Secure a Wood Support between 3 1/4" - 4 1/4" below the top surface of the finished floor.

**NOTE:** Concrete may be used as the support structure.



## ALIGNMENT TO BATH TUB

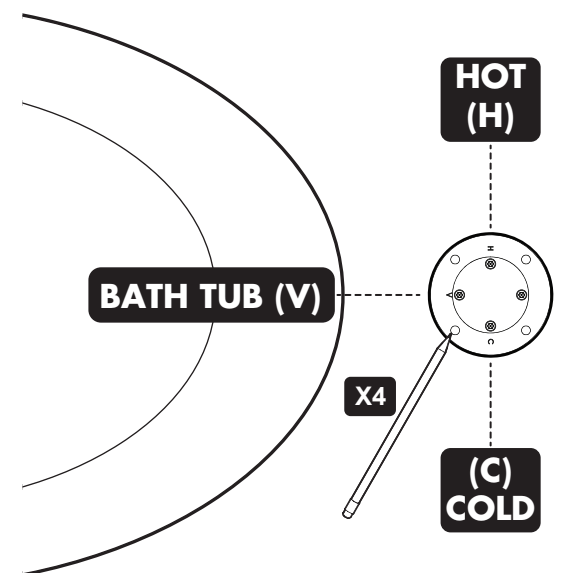
- 2** Orient the Base with the "V" marking toward the Tub.
- If possible, dry fit the Faucet to the Base using the Screws and Washers. Orient the Spout to the inside of the bath tub.

If your Faucet is not available at this time, make sure the Base is positioned so the Faucet will properly run water into the bath tub.

Mark the mounting hole locations on the wooden support.

Mark the orientation of the Base on the wooden support for reference.

**NOTE:** The Base has marks with the letters "C" and "H" to indicate COLD and HOT supply sides, respectively. Ensure that the Base is oriented correctly with the "V" marking facing toward the TUB.



## BASE INSTALLATION

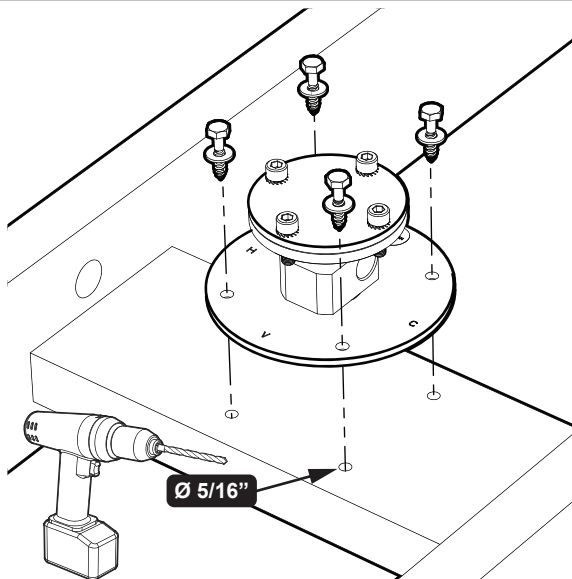
- 3** If attached, remove the Faucet from the Base.
- Drill pilot holes through the wood support with a 5/16" drill bit using the previously marked locations.

If using concrete as the floor support, use appropriate mounting hardware (*not provided*).

Realign the Base to the position as outlined in the previous step.

Secure the Base to the support.

**NOTE:** Mounting Hardware is not provided. Use appropriate 1/4" Size Mounting Hardware.



**NOTE:** Floor structure shown is for REFERENCE ONLY. Ensure your installation is properly oriented to the Bath Tub.

## CONNECTION TO WATER SUPPLY

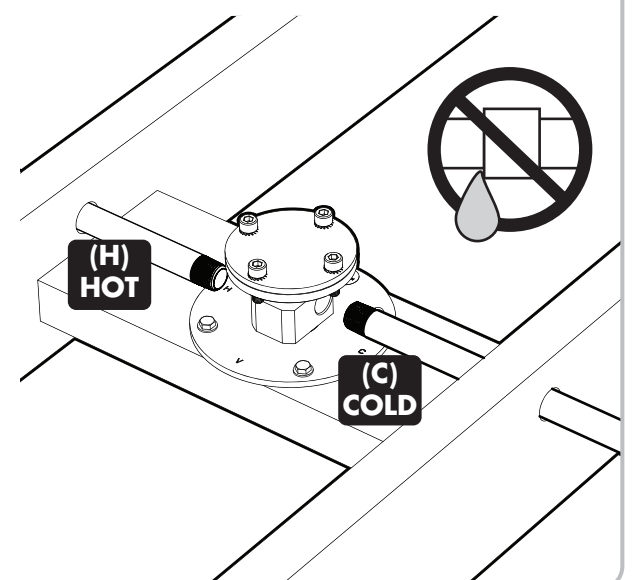
- 4** Make plumbing connections to HOT and COLD water supplies. Inlet connection size is 1/2" NPT Female. Thread Seal Tape or Pipe Thread Sealant is recommended.

COLD water supply to be plumbed to the inlet next to the "C" marking on the Base.

HOT water supply to be plumbed to the inlet next to the "H" marking on the Base.

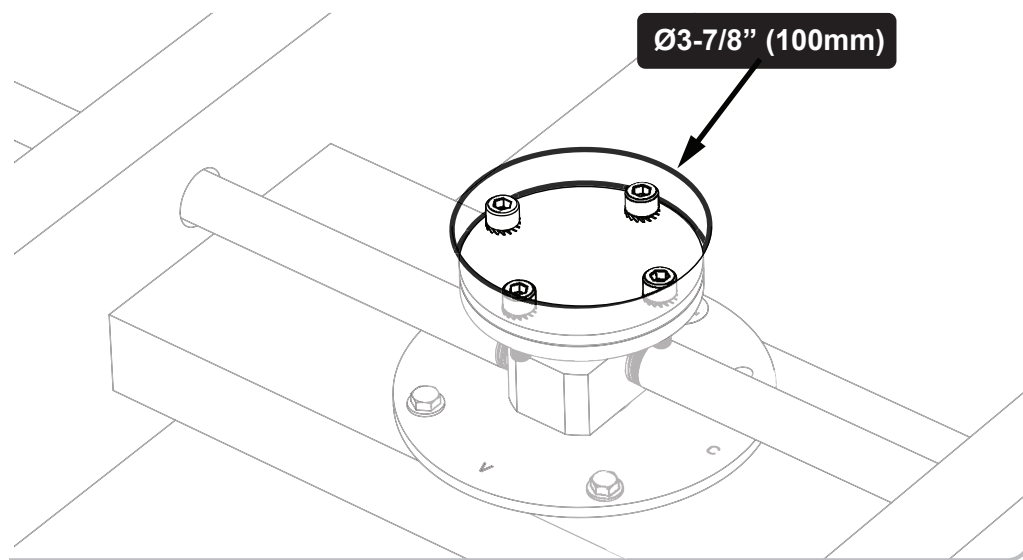
Turn ON water supplies and inspect for leaks.

Turn OFF water supplies after inspection.



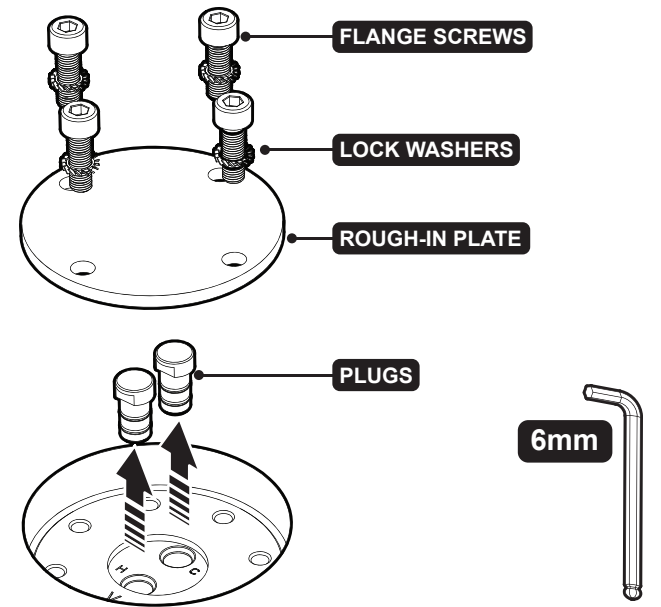
## FINISH FLOOR INSTALLATION

- 5** Complete finish floor installation while leaving a 3-7/8" diameter access hole centered over the Base.



## REMOVE ROUGH-IN PLATE

- 6** Ensure water supplies are turned OFF.
- Relieve water pressure from the plumbing system.
- Remove the Flange Screws, Lock Washers, and Rough-In Plate using the included 6mm Hex Key Wrench. Set aside Flange Screws and Lock Washers, as they will be reused. Discard Rough-In Plate.



- Remove and discard from the Hot (H) and Cold (C) Plugs from the outlets of the Base.

## FAUCET BODY INSTALLATION

- 7** Ensure the Escutcheon and Mounting Flange are in place as shown on the faucet body. Verify that the Leveling Set Screws in the Base Flange are in place and that the heads of the Leveling Set Screws are facing towards the installer.

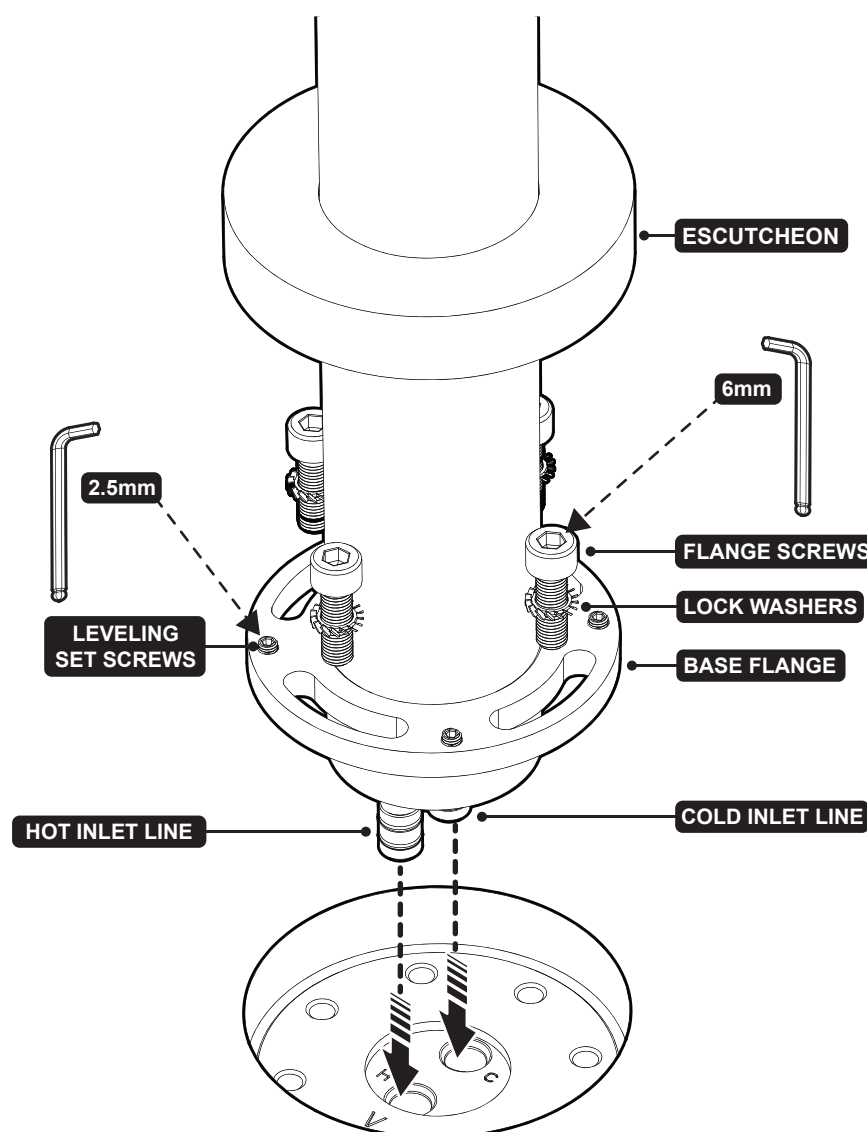
The Copper Inlet Lines are located at the base of the Faucet are clearly marked. The COLD Inlet is marked with "BLUE" and the HOT Inlet is marked with "RED". The Copper Inlet Lines may need to be guided into their respective connection locations in the Base. "BLUE" Inlet Line to be placed into the Base location with the "C" marking. "RED" Inlet Line to be placed into the Base location with the "H" marking.

Place the Faucet in to the Base while aligning the diverter button towards the tub and guiding the Inlet Lines into the Base. Place the Flange Screws and Lock Washers previously removed from the Rough In plate through the Base Flange. Finger tighten only.

Verify the Faucet is level. Use the Set Screws in the Base Flange to level the Faucet (if needed), using the included 2.5mm Hex Key Wrench.

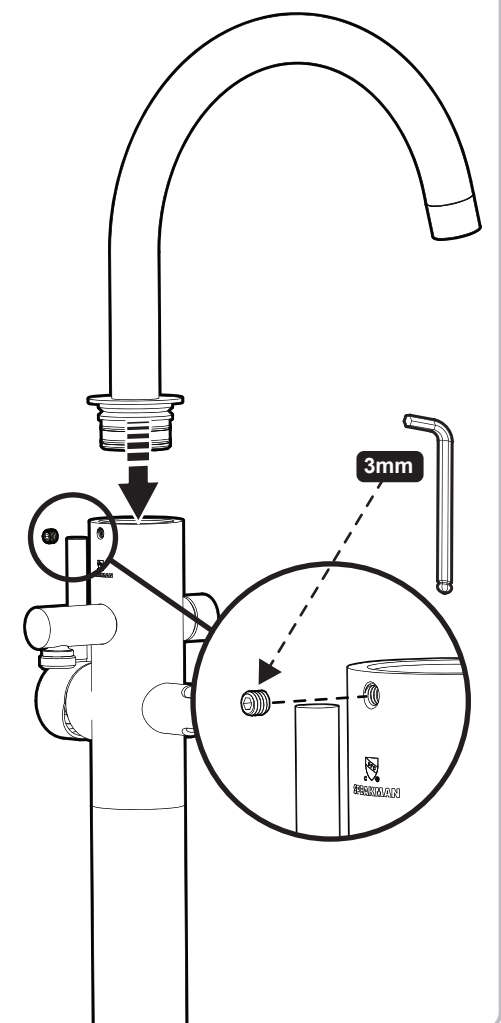
Tighten the Flange Screws into the final mounting position using the included 6mm Hex Key Wrench.

Slide the Escutcheon down to the finished floor.



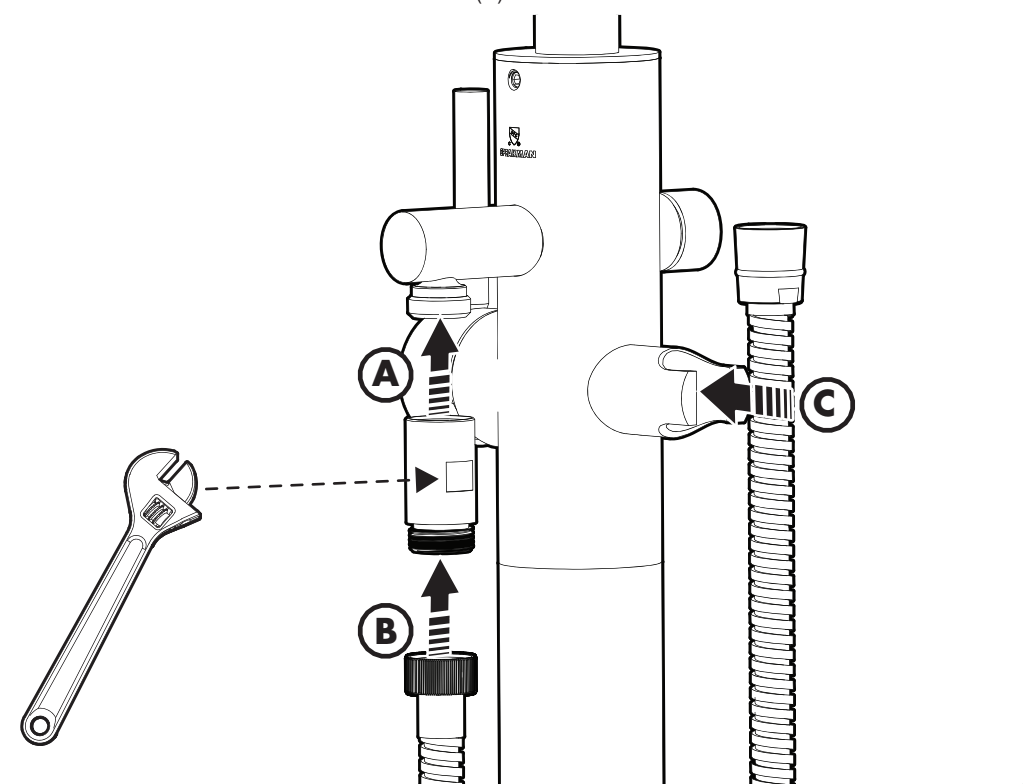
## SPOUT INSTALLATION

- 8** Install the Spout as shown. Align Spout outlet location to desired position. Tighten Set Screw using the included 3mm Hex Key Wrench.



## HAND SHOWER HOSE INSTALLATION

- 9** Install Back-flow Preventer to Faucet and wrench tighten into position (A). Install ribbed end of the Hand Shower Hose to the Back-flow Preventer and hand tighten into position (B). Place remaining end of Hand Shower Hose into the Hand Shower Bracket (C).



## FLUSH DEBRIS AND CONFIRM PROPER OPERATION

- 10** Ensure the Faucet Handle is in the OFF position.
- Turn on the water supplies and check for leaks.
- Point the Hand Shower Hose into the Bath (A).
- Turn the Faucet Handle to the ON position (B).
- Pull the Diverter Button of the Faucet to send water through the Hand Shower Hose to remove debris (C).
- Turn the Faucet OFF to reset the Diverter.
- Turn the Faucet ON and run hot and cold water through the Spout to remove debris (D).
- Check for leaks.
- Turn the Faucet OFF.
- Install the Hand Shower to the Hand Shower Hose, hand tighten, and place into the Hand Shower Holder (E).

