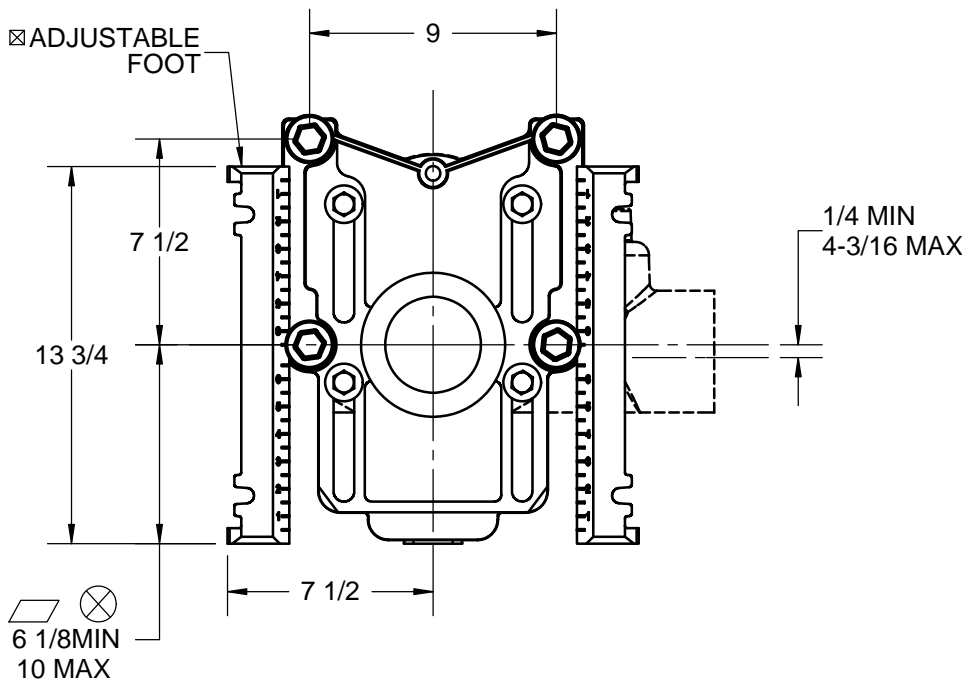
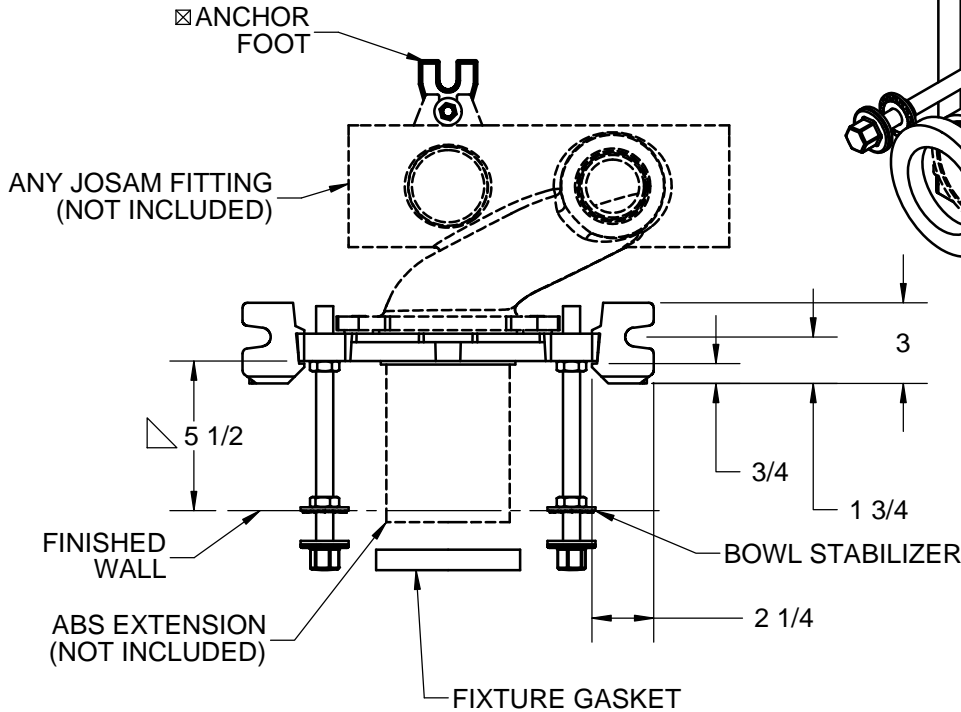
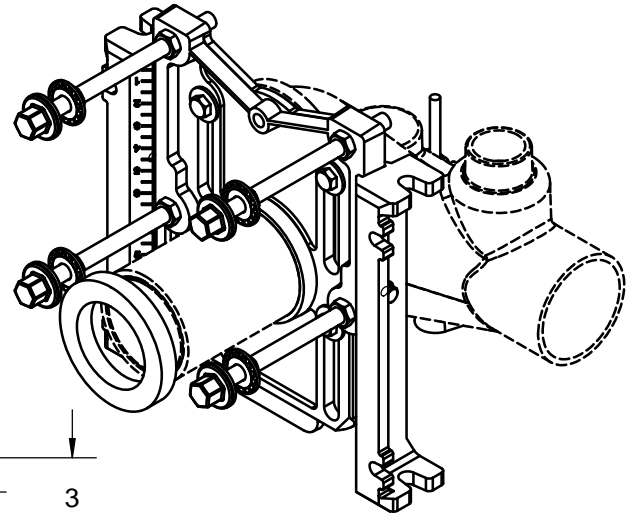


SPECIFICATION:

JOSAM 12000-35 SERIES COATED CAST IRON ADJUSTABLE CARRIER BODY, INVERTIBLE FOR SIPHON JET OR BLOWOUT CLOSETS, PYLON FEET, ANCHOR FOOT, PLATED HARDWARE AND NEOPRENE FIXTURE GASKET.

**TRIM PACK
WITH PYLON FOOT**

SERIES **12000-35**



▽ FOR DIMENSION SHORTER THAN 5-1/2" (1" MIN) CUT EXTENSION FOR LONGER EXTENSION (10-1/2" MAX) SPECIFY (-10).

☒ RECOMMEND FEET BE SECURED TO FLOOR WITH 1/2" BOLTS AND ANCHORS (BY OTHERS).

⊗ FOR SIPHON JET ROUGHING OVER 6" OR BLOWOUT ROUGHING OVER 12-1/2" SPECIFY ON ORDER.

SIPHON JET DIMS SHOWN. FOR BLOWOUT DIMS, USE:

□ MIN 2" & MAX 4"

▱ MIN 11" & MAX 16 1/2"

WARNING: Cancer and Reproductive Harm - www.P65Warnings.ca.gov

DATE OF LAST CHANGE: 5/25/18

DIMENSIONS ARE SUBJECT TO MANUFACTURERS TOLERANCES AND CHANGE WITHOUT NOTICE. WE CAN ASSUME NO RESPONSIBILITY FOR USE OF SUPERSEDED OR VOID DATA.

JOSAM
MICHIGAN CITY, INDIANA

NOTES