



# DRINKING FOUNTAIN

## A152J Series

### MODEL A152J00S

BARRIER FREE, CAST IRON  
WALL MOUNTED DRINKING FOUNTAIN  
WITH BACK PANEL

#### STANDARD FEATURES

- Child or Adult ADA Compliant (when properly installed)
- Resistant to sunlight, heat, moisture and wear
- White enamel coated cast iron fixtures
- Polished stainless steel, lead-free, anti-rotation, non-squirt bubbler
- 100 mesh inlet strainer
- Vandal resistant screws
- P-trap
- Mounting plate and hardware
- White enamel coated bezel trim plate

#### SUGGESTED SPECIFICATIONS

Model A152J00S is a bi-level wall mounted, vandal resistant drinking fountain. Unit shall be activated by a flush mounted pushbuttons which activates internally mounted valves with adjustable stream regulators controlling the water flow. Bubblers shall be anti-rotational with integrally designed non-squirt feature and operate on a water pressure range of 20-105 psig. Fountains are cast iron with a white enameled coating. Unit is certified to ANSI A117.1, Public Law 111-380 (NO-LEAD), CHSC 116875 and NSF/ANSI 61, Section 9. Fixture meets ADA, ADA Standing Person, and ADA Child requirements when mounted appropriately.



“INDOOR USE ONLY”

#### MODEL:

(Must Specify)

##### FLEXIBLE BUBBLER (LOW FLOW)

A152J00F White, Cast Iron

##### LEAD-FREE STAINLESS STEEL PUSHBUTTON

A152J00Q White, Cast Iron

##### LEAD-FREE STAINLESS STEEL BUBBLER

A152J00S White, Cast Iron (Shown)

#### OPTIONS

(additional costs may be incurred)

- AP3 Access panel for a dual fountain  
**(Must select -MF8)**
- CSC Concealed support carrier
- FRA4 Freeze resistant valve system
- HP High polished stainless steel
- MF8 Mounting frame for a dual fountain
- RBL Reverse bi-level
- SK2 Skirt kit, 14 gage stainless steel, for upper unit
- SK3 Skirt kit, stainless steel, for upper unit
- WF1 1500 gallon capacity, NSF 42+53, 1 micron lead reduction filter

Complies with the following standards:



Federal Public Law 111-380 (No Lead)



Member of U.S. Green Building Council



Recyclable Product



Water Conserving Product

**WARNING:** Cancer and Reproductive Harm - [www.P65Warnings.ca.gov](http://www.P65Warnings.ca.gov)

MURDOCK MFG. • 15125 Proctor Avenue • City of Industry, CA 91746 USA  
Phone 800-453-7465 or 626-333-2543 • Fax 626-855-4860 • [www.murdockmfg.com](http://www.murdockmfg.com)

Member of MORRIS GROUP INTERNATIONAL

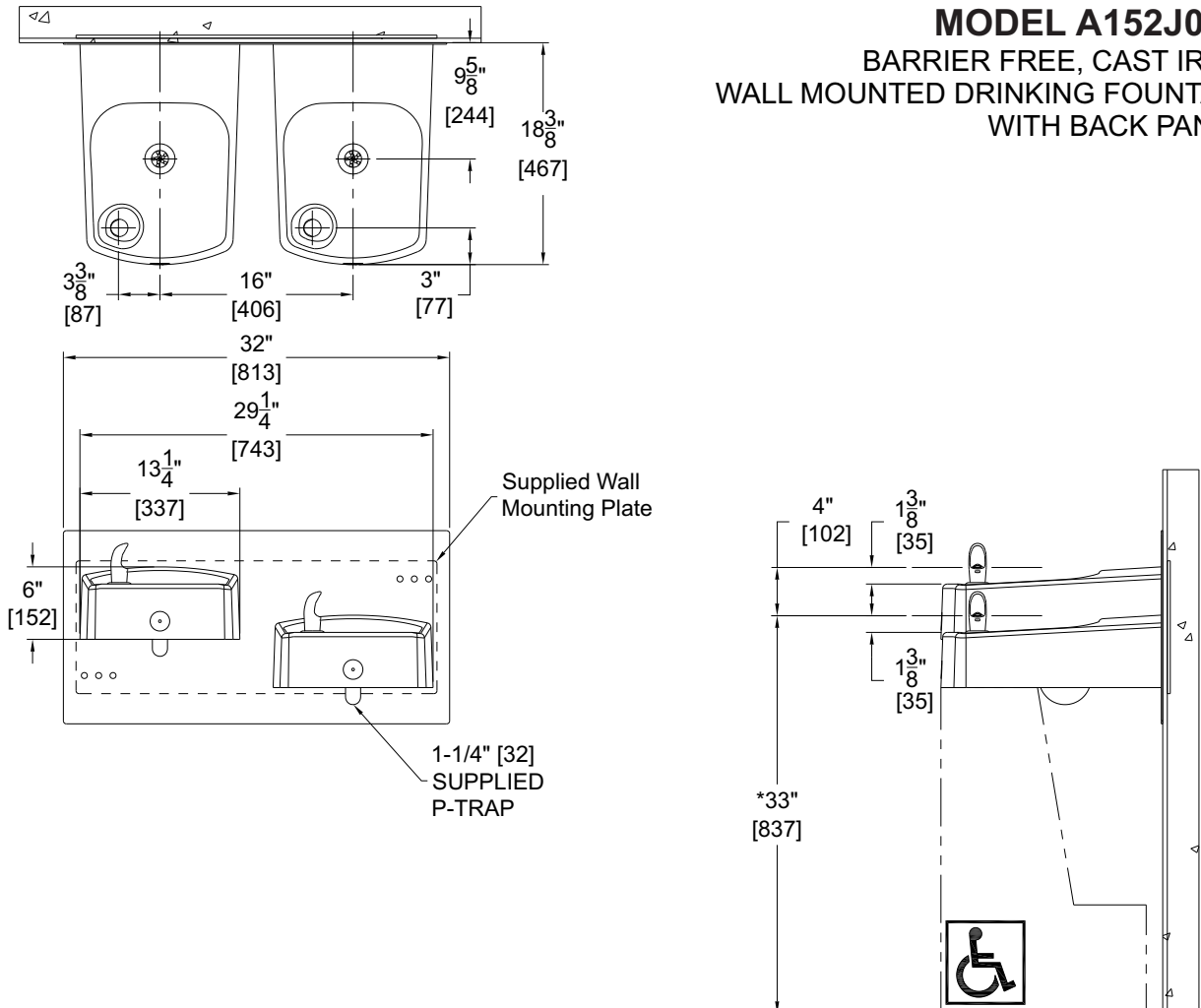


# DRINKING FOUNTAIN

## A152J Series

### MODEL A152J00S

BARRIER FREE, CAST IRON  
WALL MOUNTED DRINKING FOUNTAIN  
WITH BACK PANEL



**GENERAL NOTES:**

1. ALL DIMENSIONS ARE IN INCHES [MM].
- \*2. DIMENSIONS SHOWN ARE FOR RECOMMENDED ADULT HEIGHT. ADJUST VERTICAL DIMENSIONS AS NECESSARY TO COMPLY WITH FEDERAL, STATE, & LOCAL CODES.
3. STOP VALVE NOT PROVIDED.

Murdock Mfg.™ warrants that its products are free from defects in material or workmanship under normal use and service for a period of one year from date of shipment. Murdock's liability under this warranty shall be discharged solely by replacement or repair of defective material, provided Murdock™ is notified in writing within one year from date of shipment, F.O.B. Industry, California.

<b>SELECTION SUMMARY &amp; APPROVAL FOR MANUFACTURING</b>	Model Number & Options _____	Quantity _____	All dimensions are subject to manufactures tolerance of plus or minus 1/2" nominal and subject to change without notice. Murdock assumes no responsibility for use of void or superseded data. Dimensions may change with the addition of optional accessories. Murdock Mfg.™, Member of Morris Group International™. Please visit <a href="http://www.murdockmfg.com">www.murdockmfg.com</a> for most current specifications.
	Company _____		
	Contact _____	Title _____	
	Signature (Approval for Manufacturing) _____	Date _____	

**MURDOCK MFG.** • 15125 Proctor Avenue • City of Industry, CA 91746 USA  
Phone 800-453-7465 or 626-333-2543 • Fax 626-855-4860 • [www.murdockmfg.com](http://www.murdockmfg.com)

Member of MORRIS GROUP INTERNATIONAL