

1/2 HP Garbage Disposal

FEATURES:

- Motor Power: 1/2 HP
- Finish: matte black
- Stainless steel grinding material
- Electrical Source: 120 volt / 60 Hz
- Motor Speed: 1700 RPM
- Motor Type: permanent magnet
- Disposal has overload protection for motor
- Discharge Drain Connection: 1-1/2" slip joint
- Stainless steel drain connection
- Plug-In electrical cord installed
- Able to be converted to hardwire installation

STANDARDS:

- UL Certified

WARRANTY:

Visit www.speakman.com for full product warranty information

- 5 Year Limited Warranty



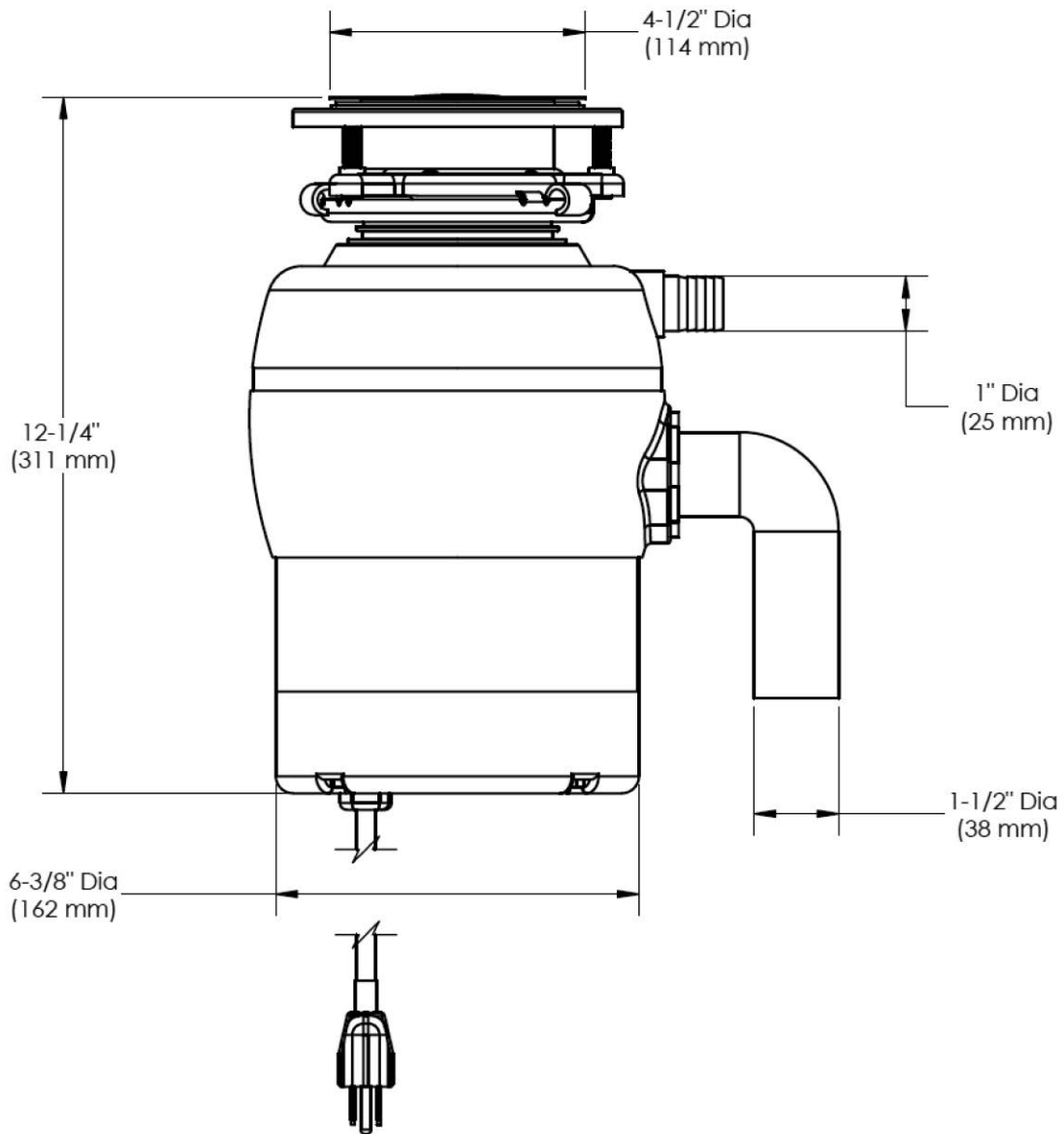
SPECIFICATIONS

Type of Feed	Continuous
On/Off Control	Wall Switch
Motor	Permanent Magnet
HP	1/2
Volts	120
HZ	60
RPM	1700
Amp. (Avg. Load)	6.8
Time Rating	Intermittent
Lubrication	Permanently Lubricated Upper & Lower Bearings
Unit Finish	Matte Black
Overall Height	12-1/4"
Overall Weight	14.85 lbs.
Grind Chamber Capacity	33.8oz.
Motor Protection	Manual Reset Overload
Average Water Usage	Approx. 0.8 Gallon per Person Per Day
Average Electrical Usage	1-2 kWh per Year
Drain Connection	1-1/2" Cushioned Slip Joint
Diswasher Drain Connection	Yes
Factory Installed Powercord	Yes

Information continues on next page

1. All dimensions are in inches (millimeters) unless otherwise specified and are subject to change without notice.

1/2 HP Garbage Disposal



1. All dimensions are in inches (millimeters) unless otherwise specified and are subject to change without notice.

Architect/Engineer Approval Space:

P: 800-537-2107
F: 800-977-2747
W: WWW.SPEAKMAN.COM
R: 01-APRIL 2021