

SPECIFICATION:

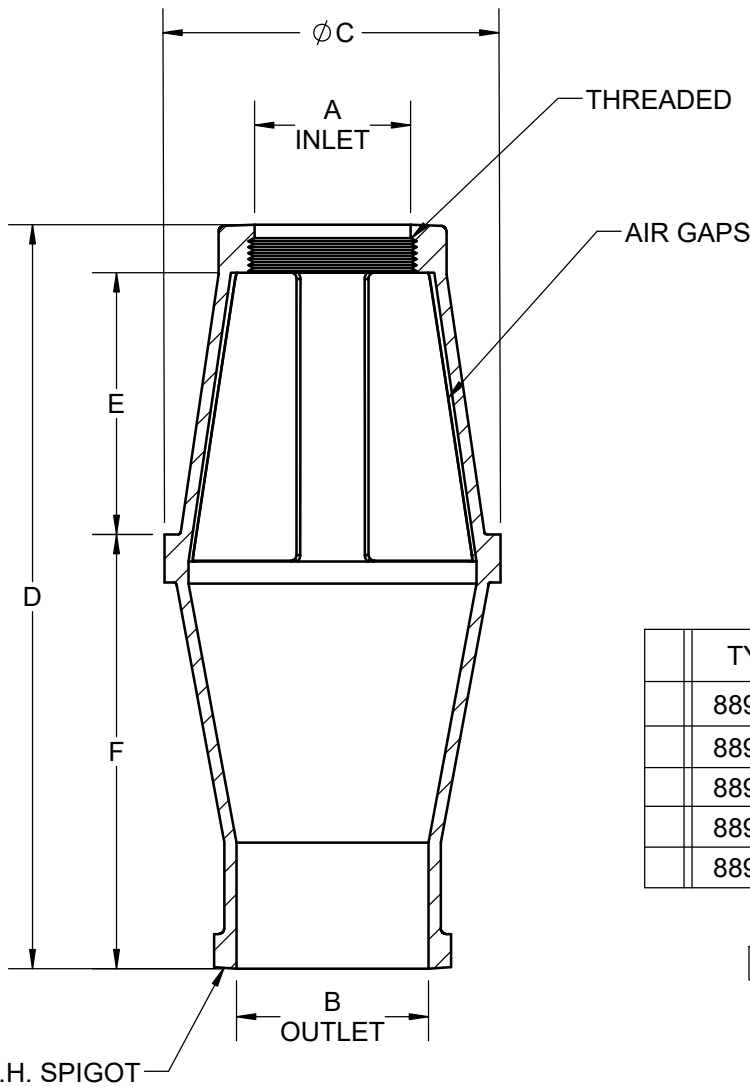
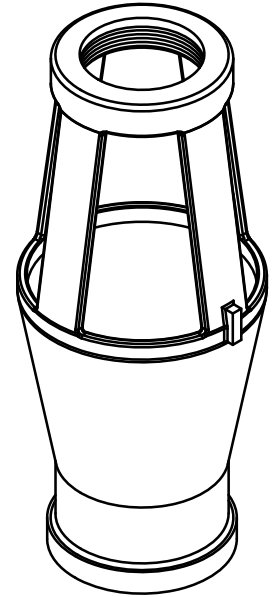
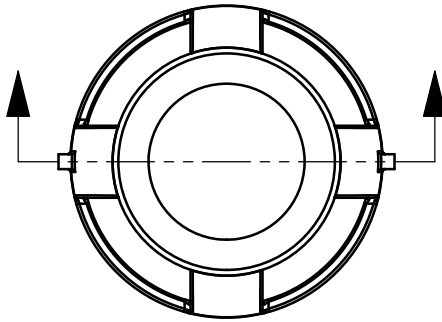
JOSAM 88900 SERIES COATED CAST IRON AIR GAP WITH INTEGRALLY CAST AIR PORTS. THREADED INLET AND EXTRA-HEAVY SPIGOT OUTLET.

TRAPS AND ACCESSORIES

AIR GAP

SERIES

88900



TYPE	A	B	C	D	E	F
88900-1	1	2	3-1/2	8	2-1/2	4-3/4
88900-2	1-1/2	2	3-1/2	8	3	4-3/4
88900-3	2	3	4-1/2	11-1/2	4	6-1/2
88900-4	3	4	6-1/2	15-1/2	6	8-1/2
88900-5	4	6	8-1/2	20	8	10-3/8

-40 GALVANIZED CAST IRON PARTS

NOTE: INSTALL AIR GAP IN EXPOSED LOCATION WHERE MINOR SPLASHING WILL NOT BE A PROBLEM

WARNING: Cancer and Reproductive Harm - www.P65Warnings.ca.gov

DATE OF LAST CHANGE: 06/28/18

DIMENSIONS ARE SUBJECT TO MANUFACTURERS TOLERANCES AND CHANGE WITHOUT NOTICE. WE CAN ASSUME NO RESPONSIBILITY FOR USE OF SUPERSEDED OR VOID DATA.



MICHIGAN CITY, INDIANA

NOTES