

SPEAKMAN®

SLV-1080-ADA

Installation, Operation & Maintenance Instructions

NEO™ COLLECTION COMBINATION SERIES

DESCRIPTION

Speakman Neo™ Collection Combination Series, SLV-1080-ADA includes: Trim (CPT-1001), Shower Arm with Wall Flange (S-2540), Low Flow Multi Function Hand Shower (VS-3010-E2), ADA Pause Switch (VS-156), Shower Arm Bracket (VS-130) and 24in ADA Combination Grab/Slide Bar (VS-153-ADA). This combination does not include the Shower Valve.

PB

This combination should be installed with one of the following Speakman Sentinel Mark II® Pressure Balance Shower Valves

- CPV-PB:** Thermostatic Shower Valve
Sweat & Thread Connections
- CPV-PB-PXC:** Thermostatic Shower Valve
PEX F1807 Crimp Inlet Connections
- CPV-PB-PXE:** Thermostatic Shower Valve
PEX F1960 Cold-Expansion Inlet Connections

T

This combination should be installed with one of the following Speakman Sentinel Mark II® Thermostatic Shower Valves

- CPV-T:** Thermostatic Shower Valve
Sweat & Thread Connections
- CPV-T-PXC:** Thermostatic Shower Valve
PEX F1807 Crimp Inlet Connections
- CPV-T-PXE:** Thermostatic Shower Valve
PEX F1960 Cold-Expansion Inlet Connections

SPECIFICATIONS

CPT-1001 SENTINEL MARK II® SHOWER VALVE TRIM:

COMPLIANCE: ASME A112.18.1 / CSA B125.1 Standard

S-2540 SHOWER ARM WITH WALL FLANGE:

CONNECTIONS: ½" NPT Male Inlet & Outlet

VS-3010-E2 LOW FLOW MULTI FUNCTION HAND SHOWER:

CONNECTIONS: ½" NPS Male Inlet

FLOW RATE: 2.0 gpm (7.6 L/min)

COMPLIANCE: ASME A112.18.1/CSA B125.1 Standard & WaterSense Certified

VS-156 ADA PAUSE SWITCH:

CONNECTIONS: ½" NPS Male Inlet, ½" NPS Female Outlet

COMPLIANCE: ASME A112.18.1/CSA B125.1

SPEAKMAN®

Phone: 800-537-2107 Fax: 800-977-2747

12/10/18

www.speakman.com

92C-SLV-1080-ADA-01

VS-130 SHOWER ARM BRACKET:

CONNECTIONS: ½" - 14 NPT Female

VS-153-ADA 24in ADA COMBINATION GRAB/SLIDE BAR:

COMPLIANCE: Meets 250 lbs pull test for Grab Bars per ANSI Standard;
Meets requirements of ADA Lever Handle for adjusting Slide Bar

INSTRUCTIONS

See individual products for installation of the components and warranty information.

SPEAKMAN®

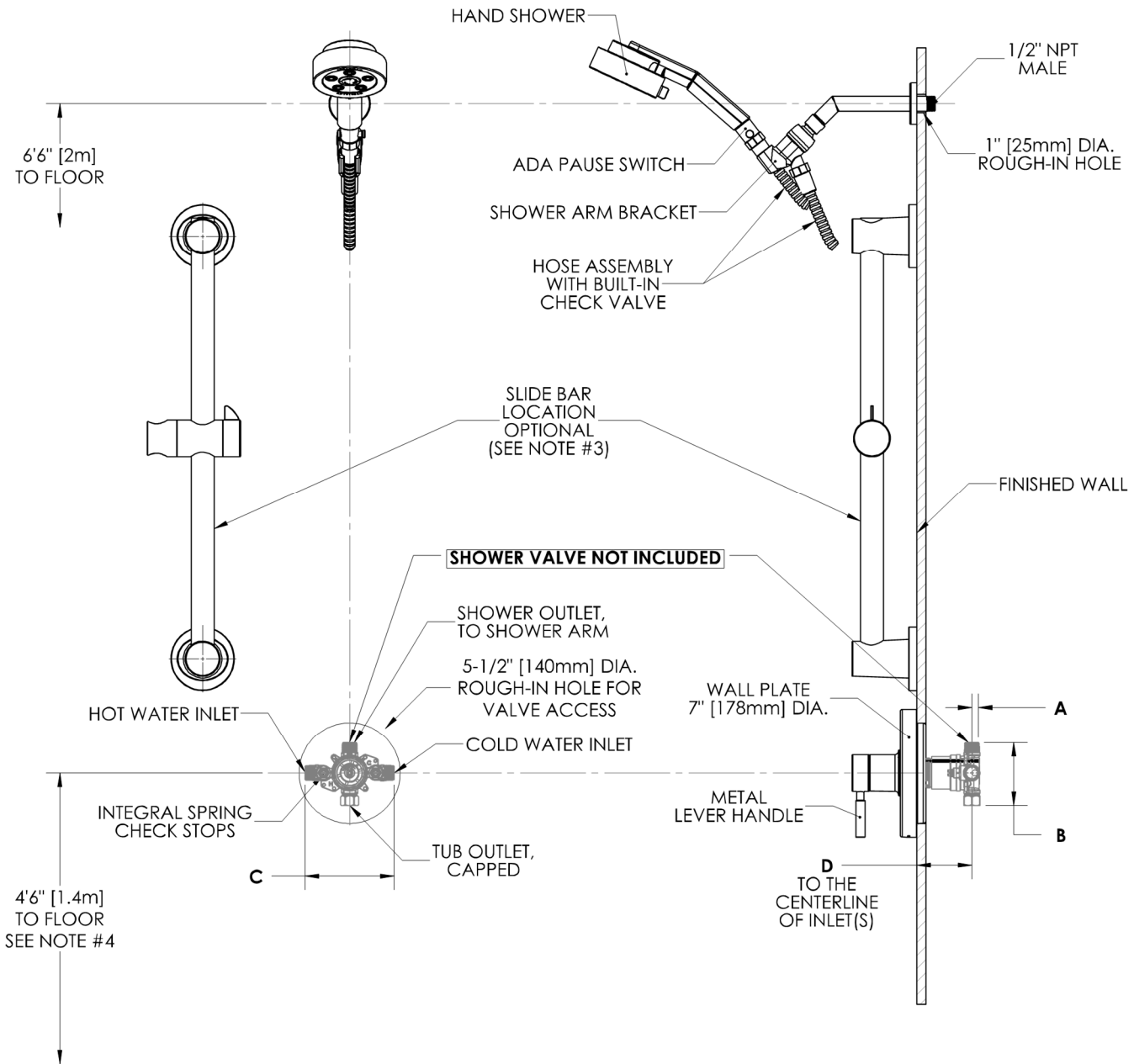
Phone: 800-537-2107 Fax: 800-977-2747

12/10/18

www.speakman.com

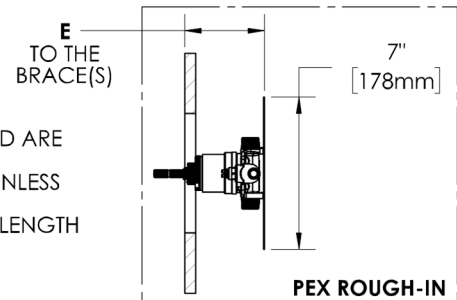
92C-SLV-1080-ADA-01

ROUGH-IN



NOTES:

1. ALL DIMENSIONS ARE IN INCHES [MILLIMETERS] UNLESS OTHERWISE SPECIFIED AND ARE SUBJECT TO CHANGE WITHOUT NOTICE.
2. ALL INLETS AND OUTLETS ARE 1/2" FEMALE COPPER SWEAT AND 1/2" MALE NPT UNLESS OTHERWISE SPECIFIED.
3. THE LOCATION OF THE SLIDE BAR IS OPTIONAL, BUT RESTRICTED BY THE 60" HOSE LENGTH RUNNING FROM THE SHOWER ARM BRACKET TO THE HAND SHOWER.
4. FOR ADA MOUNTING LOCATIONS CONSULT ADAAG, ANSI A117.1, OR STATE REGULATIONS.



DIMENSION	CPV-PB	CPV-T	CPV-PB-PXC	CPV-PB-PXE	CPV-T-PXC	CPV-T-PXE
A	7/16" (11mm)	1/2" (12mm)	7/16" (11mm)	7/16" (11mm)	1/2" (12mm)	1/2" (12mm)
B	3-5/16" (84mm)	3-1/2" (89mm)	3-5/16" (84mm)	3-5/16" (84mm)	3-1/2" (89mm)	3-1/2" (89mm)
C	4-13/16" (123mm)	5-7/8" (150mm)	4-13/16" (123mm)	4-13/16" (123mm)	5-7/8" (150mm)	5-7/8" (150mm)
D	2-1/2" (63mm) MIN TO 3-1/2" (89mm) MAX					
E			3-1/8" (79mm) MIN TO 4-1/8" (105mm) MAX		3-3/16" (81mm) MIN TO 4-3/16" (106mm) MAX	

SPEAKMAN®

Phone: 800-537-2107 Fax: 800-977-2747

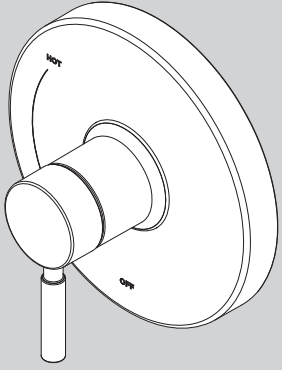
12/10/18

www.speakman.com

92C-SLV-1080-ADA-01

INSTRUCTIONS FOR MODELS

CPT-1001



NEED HELP?

For additional assistance or service please contact:

SPEAKMAN®

800-537-2107

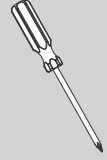
customerservice@speakman.com

www.speakman.com

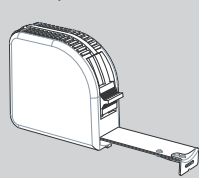
92-CPT-1001-01

TOOLS AND SUPPLIES

Phillips
Screwdriver



Measuring
Tape



IMPORTANT



- Do not over-tighten any connections or damage may occur.
- Be sure to read instructions thoroughly before beginning installation.
- Be sure to have properly adjusted the Temperature Limiting Stop (TLS) as per the Valve Installation Instructions before installing Valve Trim.

SAFETY TIPS

Cover your drain to prevent loss of parts.

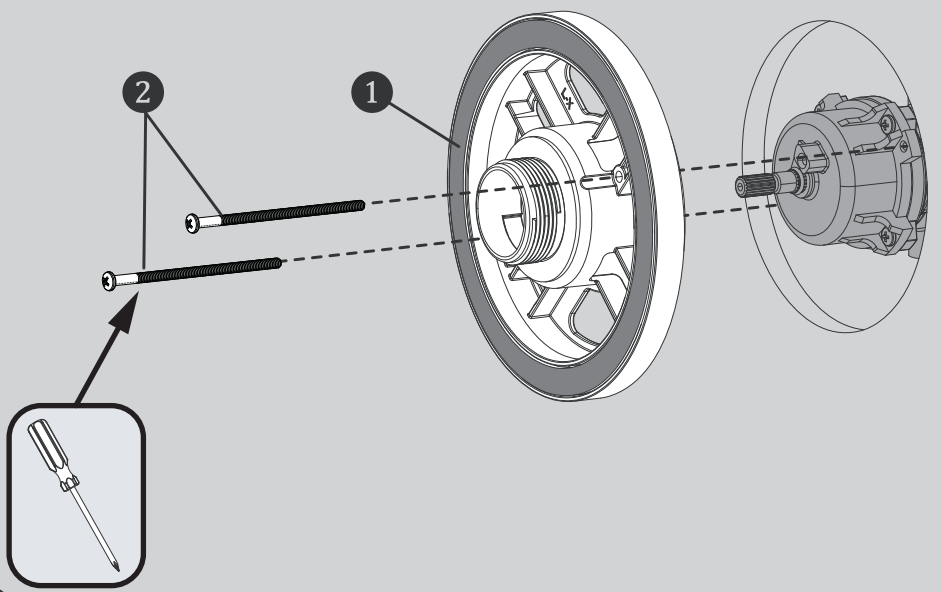
MAINTENANCE

Your new Speakman Product is designed for years of trouble-free performance. Keep it looking new by cleaning it periodically with a soft cloth. The use of harsh chemicals and abrasives on any of the Speakman custom finish products may damage the finish and void the product warranty. Please be sure to only use approved cleaners. Please contact Speakman for any clarification of acceptable cleaners.

WARRANTY

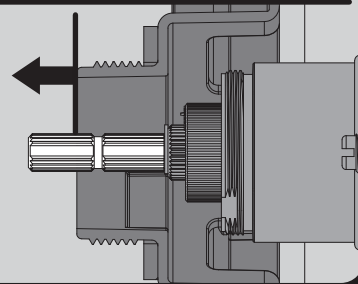
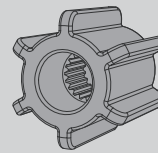
Warranty information can be found at:
www.speakman.com

1 Clean wall surface. Place Mounting Base (1) onto the valve, align mounting holes, and secure with supplied screws (2).

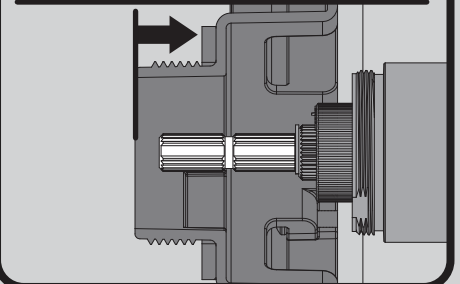
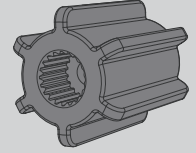


2 Verify the position of the Spindle within the Mounting Plate, as shown below. If the end of the Spindle extends beyond the Mounting Plate, then use the Shallow Mount Adapter. If the end of the Spindle is flush to, or is within the Mounting Plate, then use the Deep Mount Adapter.

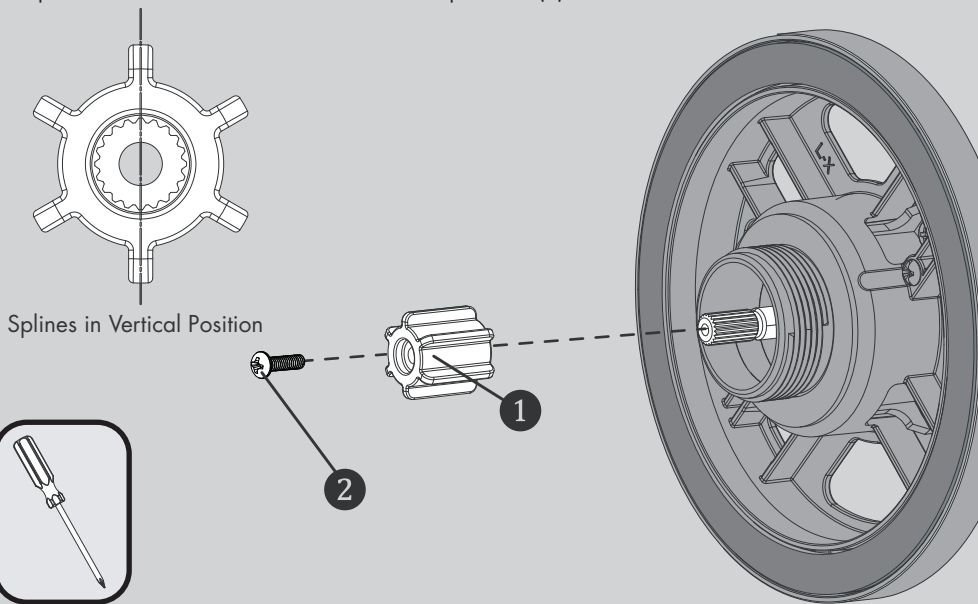
FOR SHALLOW MOUNT APPLICATION



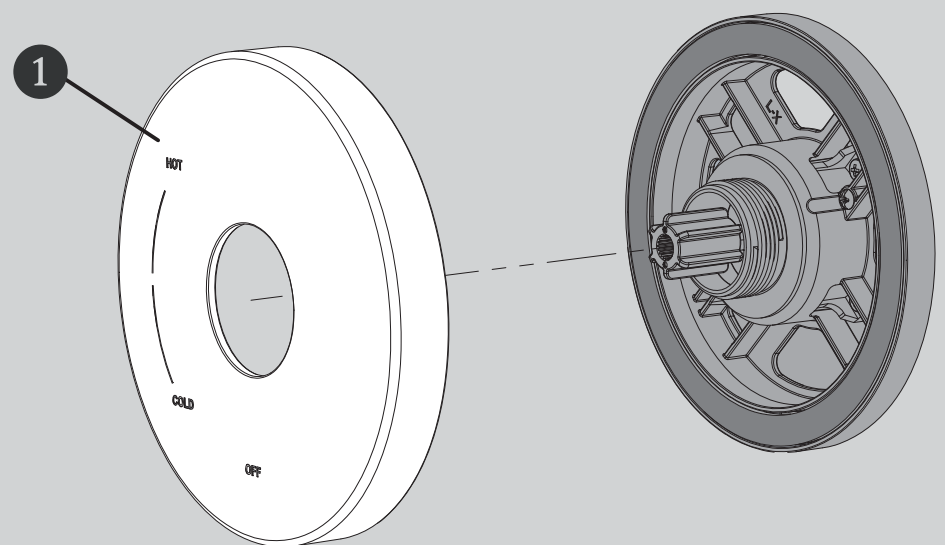
FOR DEEP MOUNT APPLICATION



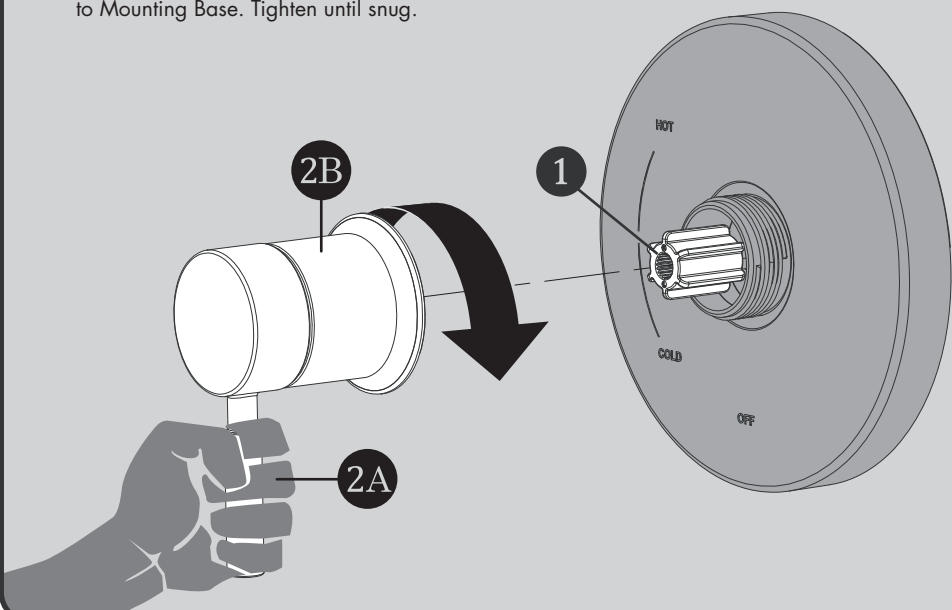
3 Confirm that Valve is in the "Off" position. Place appropriate Connector (1) on to the Spindle of the Valve, making sure to orient the Connector so that one set of Splines are in a perfectly vertical position. Secure Connector with 8-32 screw provided (2).

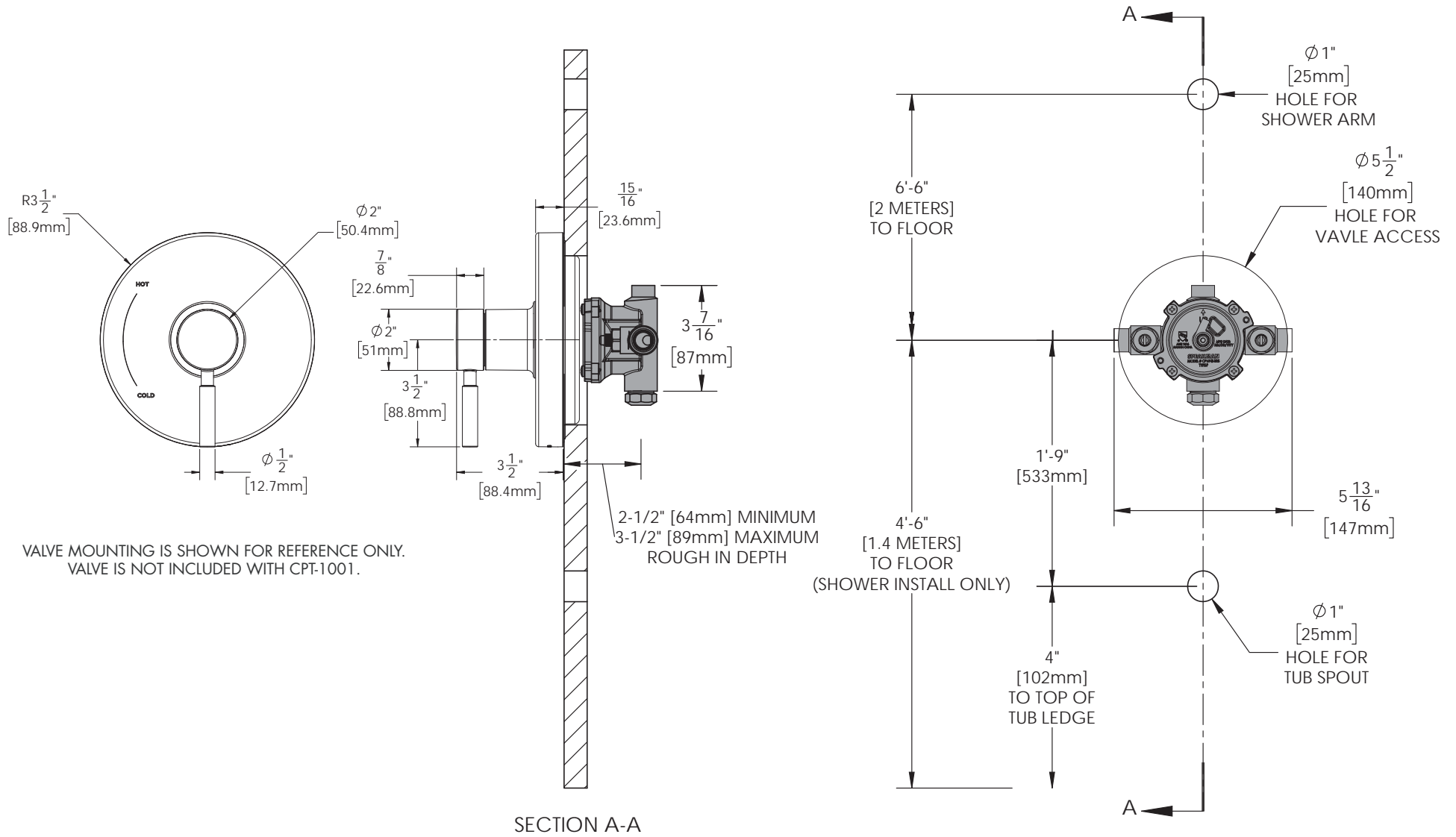
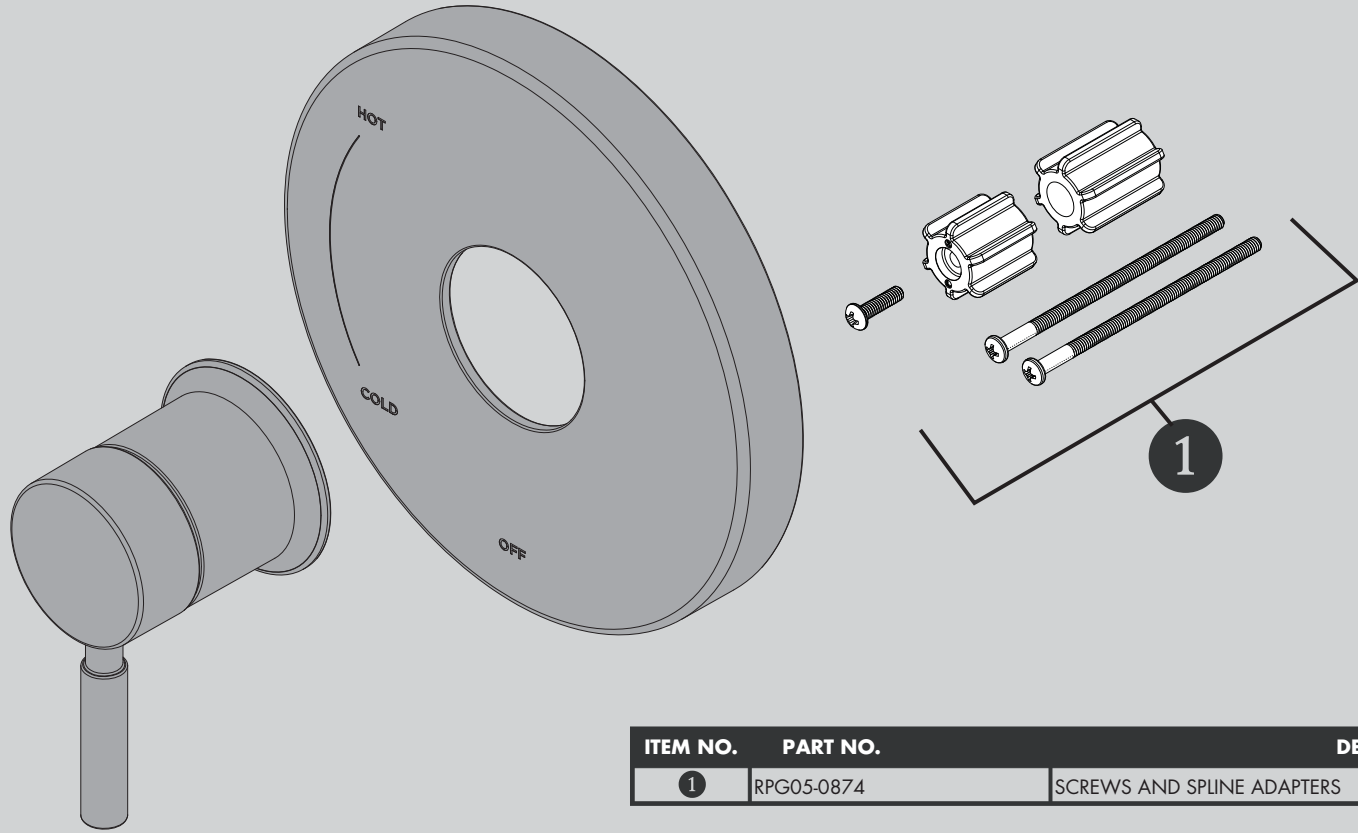


4 Place Escutcheon (1) on Mounting Base. Take care to orient the Escutcheon as shown below.



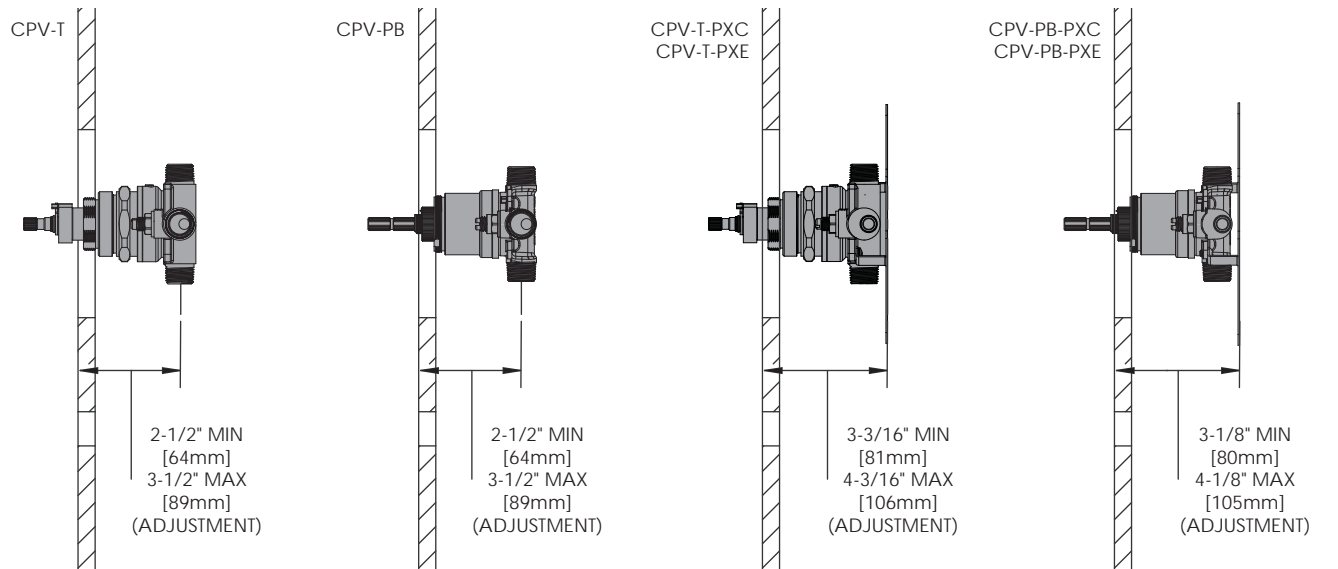
5 Align Handle Assembly with Connector (1) and Escutcheon as shown below. Keep Handle (2A) in a stationary vertical position and place over Connector (1) and engage the Splines of the Connector with the Handle Assembly. Keep Handle in the vertical position as you thread Handle Hub (2B) on to Mounting Base. Tighten until snug.





VALVE MOUNTING IS SHOWN FOR REFERENCE ONLY. VALVE IS NOT INCLUDED WITH CPT-1001.

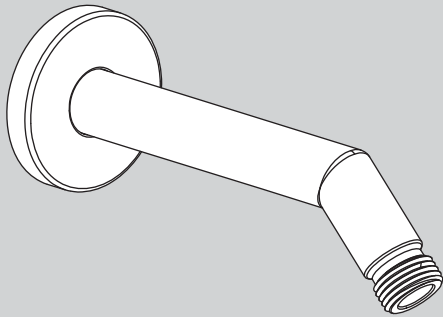
NOTE: TRIM FITS DIFFERENT VALVES. ROUGH-IN DIMENSIONS PROVIDED FOR REFERENCE ONLY.



DIMENSIONS SUBJECT TO CHANGE WITHOUT NOTICE.

INSTRUCTIONS FOR MODELS

S-2540



NEED HELP?

For additional assistance or service please contact:

SPEAKMAN® Company
400 Anchor Mill Road
New Castle, DE 19720

800-537-2107

customerservice@speakman.com

www.speakman.com

92-S-2540-03

TOOLS AND SUPPLIES

Thread Seal
Tape



Allen Wrench
(Included)



IMPORTANT



Be sure to read instructions thoroughly before beginning installation. Do not overtighten any connections or damage may occur.

SAFETY TIPS

Cover your drain to prevent loss of parts.

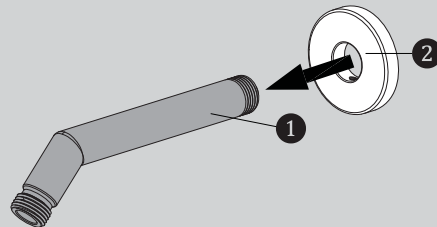
MAINTENANCE

Your new Shower Arm is designed for years of trouble-free performance. Keep it looking new by cleaning it periodically with a soft cloth. Avoid abrasive cleaners, steel wool and harsh chemicals as these will dull the finish and void your warranty.

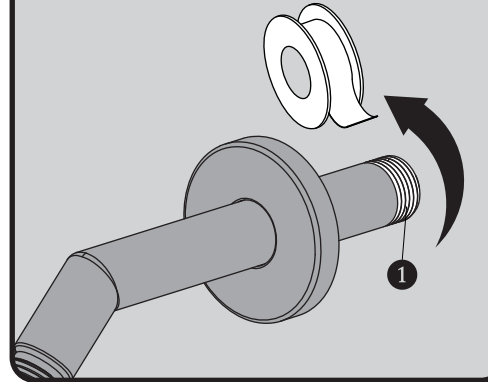
WARRANTY

Additional warranty information can be found at:
www.speakman.com

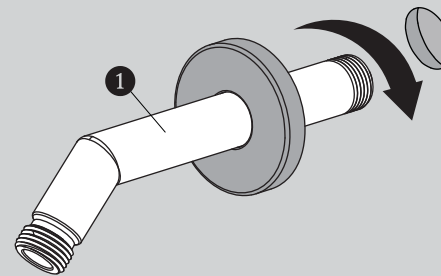
- 1** Slide Escutcheon Plate (2) over the long end of the Shower Arm (1).



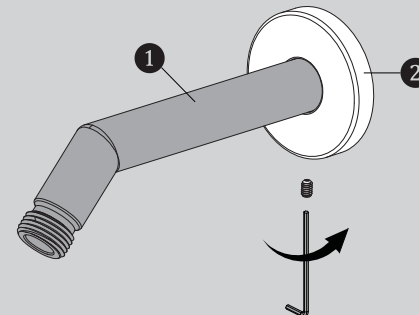
- 2** Apply Thread Seal Tape to inlet side of Shower Arm (1).



- 3** Thread Shower Arm (1) into Female Pipe Fitting within the wall. Firmly tighten, and make sure Shower Arm (1) Outlet is pointing in a downward position.

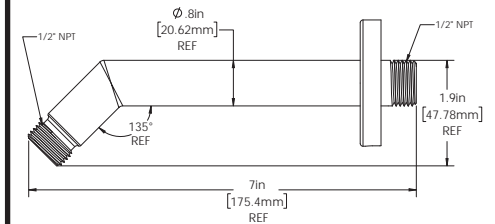
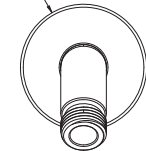


- 4** Position Escutcheon Plate (2) flat against wall. Secure Escutcheon Plate (2) to Shower Arm (1) by tightening set screw with Allen Wrench (Hex: 2.0mm) provided.



ROUGH IN DIMENSIONS

Ø 2.25in
[57.15mm]
REF

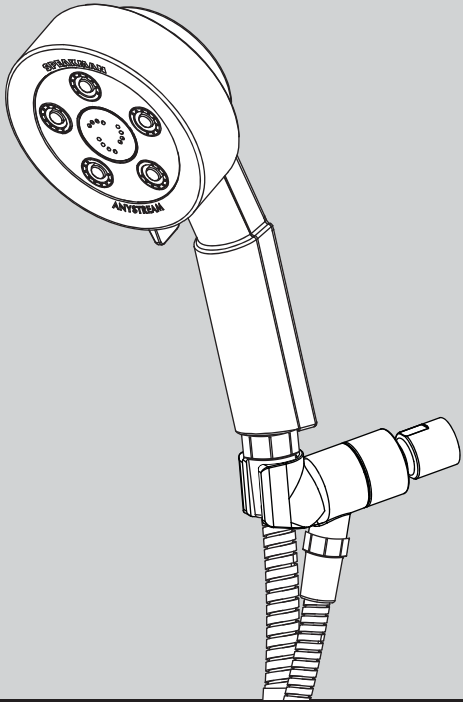


Specifications:

Supply Inlet: 1/2" NPT
Outlet: 1/2" NPT

INSTRUCTIONS FOR MODELS

VS-3010
VS-3010-E2
VS-3010-E175



NEED HELP?

For additional assistance or service please contact:

SPEAKMAN® Company
400 Anchor Mill Road
New Castle, DE 19720

800-537-2107

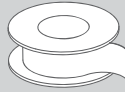
customerservice@speakman.com

www.speakman.com

92-VS-3010-02

TOOLS AND SUPPLIES

Thread Seal
Tape
(included)



Adjustable
Wrench



IMPORTANT



Be sure to read instructions thoroughly before beginning installation. Do not overtighten any connections or damage may occur. This hand shower has an optimal operating range of 20-80 psi.

SAFETY TIPS

Cover your drain to prevent loss of parts.

MAINTENANCE

Periodic cleaning using a mild soap and warm water will help keep your Hand Shower's appearance in its original condition.

For best results, dry immediately with a soft, clean cloth. **DO NOT USE** harsh and/or abrasive cleaners.

On **CHROME PLATED HAND SHOWERS**, a two (2) part white vinegar, one (1) part water solution can be used to break down excessive mineral deposits on the sprays. Let the hand shower soak in the solution for about ½ hour then rinse thoroughly. Brush off any remaining mineral deposits if necessary.

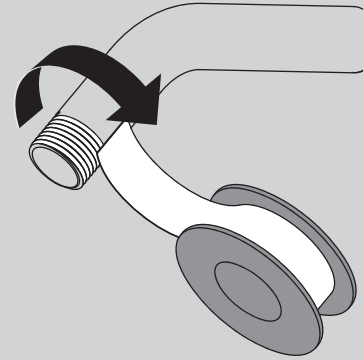
DO NOT USE the vinegar/water treatment on any finish other than Chrome.

To reduce mineral build-up, turn the handle to **FLOOD** position to let the water drain out after every use.

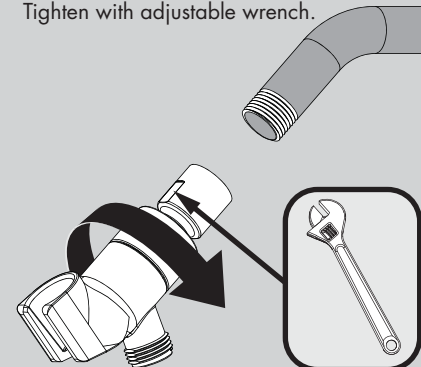
WARRANTY

Additional warranty information can be found at:
www.speakman.com

- 1** Apply Thread Seal Tape to the outlet side of shower arm in a clockwise direction.

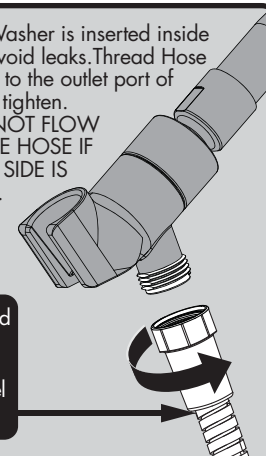


- 2** Thread Bracket onto shower arm by turning it in a clockwise direction. Tighten with adjustable wrench.

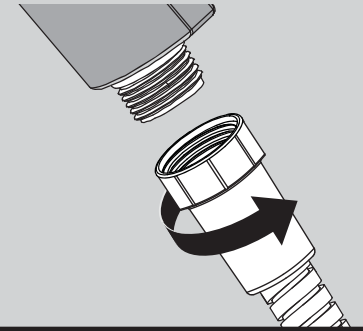


- 3** Ensure Hose Washer is inserted inside connector to avoid leaks. Thread Hose End with Label to the outlet port of Bracket. Hand tighten. **WATER WILL NOT FLOW THROUGH THE HOSE IF THE WRONG SIDE IS CONNECTED.**

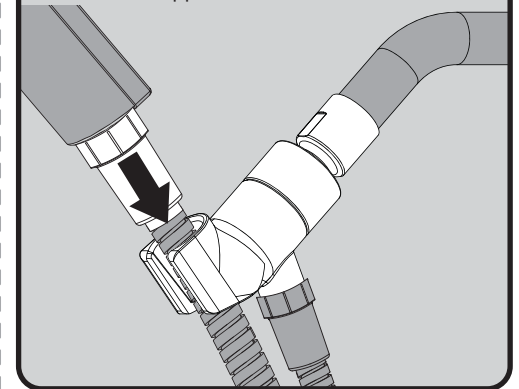
NOTE: Label around hose shows this end assembles to water supply. Remove label before installation.



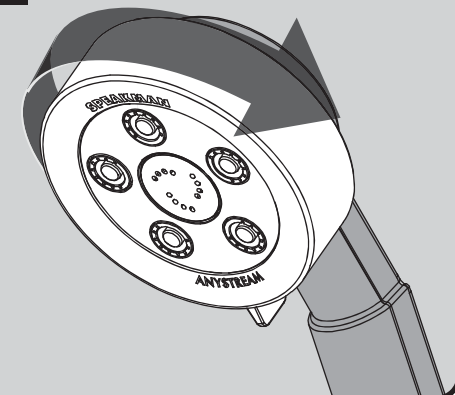
- 4** Ensure Hose Washer is inserted inside connector to avoid leaks. Thread remaining end of Hose to base of Hand Shower. Hand tighten.



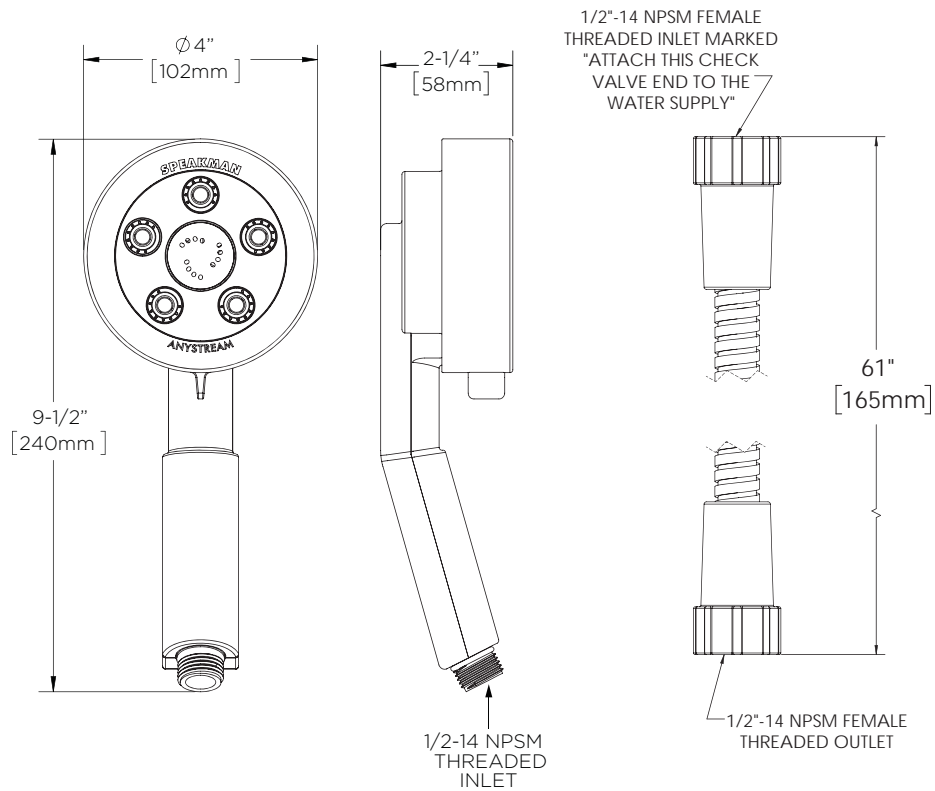
- 5** Place Hand Shower into Bracket. Turn on water supplies and check for leaks.



- 6** Rotate Spray Face to change Spray Settings.



ROUGH IN DIMENSIONS

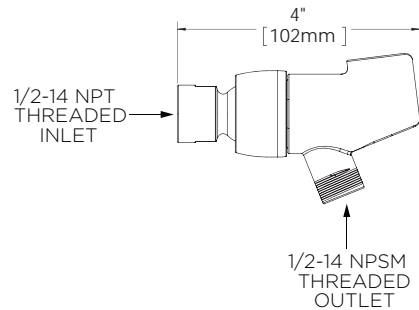


$1/2"$ -14 NPSM FEMALE THREADED INLET MARKED "ATTACH THIS CHECK VALVE END TO THE WATER SUPPLY"

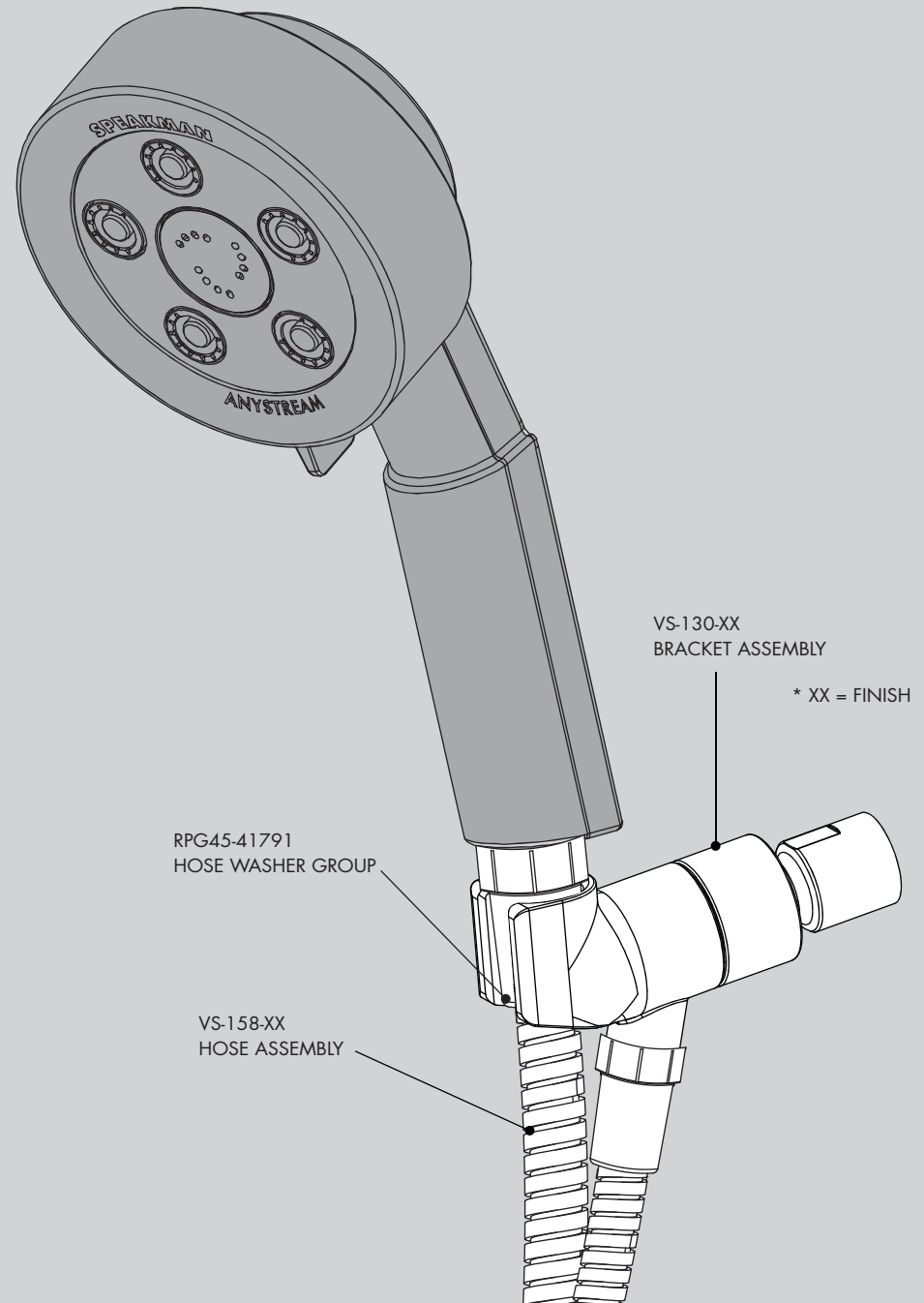
Model: VS-3010
 Max. Flow Rate: 2.5 gpm (9.5L/min)
 Min. Flow Rate: 2.0 gpm (7.6 L/min) @ 45psi
 FOR USE WITH AUTOMATIC COMPENSATING VALVES RATED AT 7.6 L/MIN (2.0 GPM) OR LESS.

Model: VS-3010-E2
 Max. Flow Rate: 2.0 gpm (7.6 L/min)
 Min. Flow Rate: 1.5 gpm (5.7 L/min) @ 45psi
 FOR USE WITH AUTOMATIC COMPENSATING VALVES RATED AT 6.6 L/MIN (1.75 GPM) OR LESS.

Model: VS-3010-E175
 Max. Flow Rate: 1.75 gpm (6.6 L/min)
 Min. Flow Rate: 1.3 gpm (4.9 L/min) @ 45psi
 FOR USE WITH AUTOMATIC COMPENSATING VALVES RATED AT 5.7 L/MIN (1.5 GPM) OR LESS.

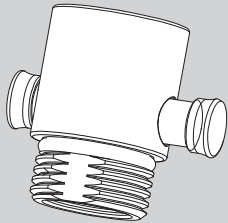


REPAIR PARTS



INSTRUCTIONS FOR MODELS

VS-156



NEED HELP?

For additional assistance or service please contact:

SPEAKMAN® Company
400 Anchor Mill Road
New Castle, DE 19720

800-537-2107

customerservice@speakman.com

www.speakman.com

92-VS-156-02

TOOLS AND SUPPLIES

Thread Seal
Tape



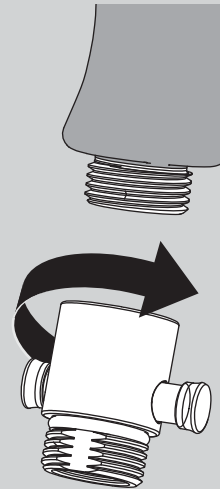
SAFETY TIPS

Cover your drain to prevent loss of parts.

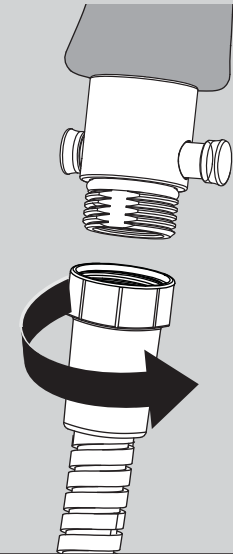
1 Turn off water supply. Remove hose from existing Hand Held Shower Head.



2 Insert proper washer to ensure no leaking occurs from Volume Control to Hand Held Shower connections (multiple washers are included for various types of installations). Screw on Volume Control to Hand Held Shower and hand tighten.



3 Thread hose onto inlet port of Volume Control and hand tighten. Turn on water supply and check for leaks. If leaks are present, disassemble all connections and apply Telon Tape. Re-assemble.



IMPORTANT



- Do not over-tighten any connections or damage may occur.
- Be sure to read instructions thoroughly before beginning installation.

MAINTENANCE

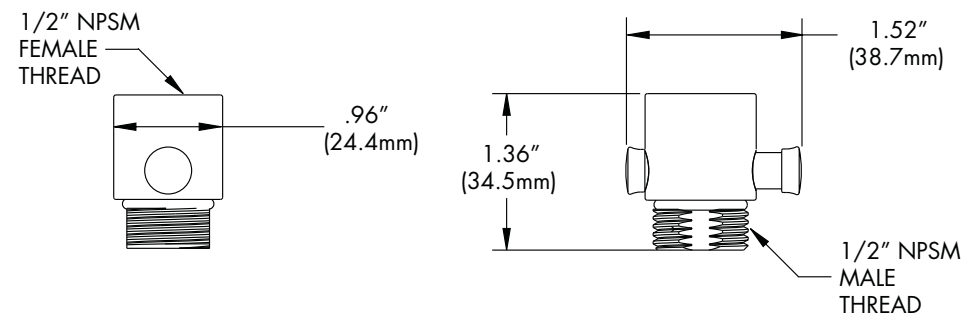
Your new Speakman Product is designed for years of trouble-free performance. Keep it looking new by cleaning it periodically with a soft cloth. The use of harsh chemicals and abrasives on any of the Speakman custom finish products may damage the finish and void the product warranty. Please be sure to only use approved cleaners. Please contact Speakman for any clarification of acceptable cleaners.

WARRANTY

Additional warranty information can be found at: www.speakman.com

VS-156 ROUGH-IN DIAGRAM

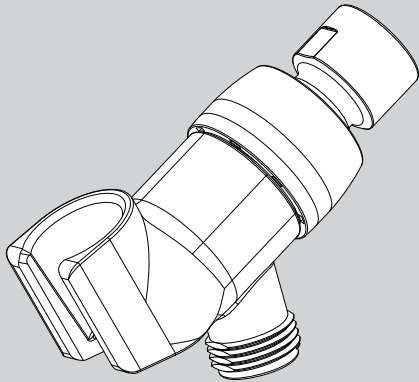
SPEAKMAN®



DIMENSIONS SUBJECT TO CHANGE WITHOUT NOTICE.

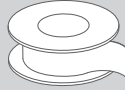
INSTRUCTIONS FOR MODELS

VS-130



TOOLS AND SUPPLIES

Thread Seal Tape
(included)



Adjustable
Wrench



IMPORTANT



Be sure to read instructions thoroughly before beginning installation. Do not overtighten any connections or damage may occur. This bracket assembly has an optimal operating range of 20-80 psi.

SAFETY TIPS

Cover your drain to prevent loss of parts.

MAINTENANCE

Periodic cleaning using a mild soap and warm water will help keep your Bracket's appearance in its original condition.

For best results, dry immediately with a soft, clean cloth. **DO NOT USE** harsh and/or abrasive cleaners.

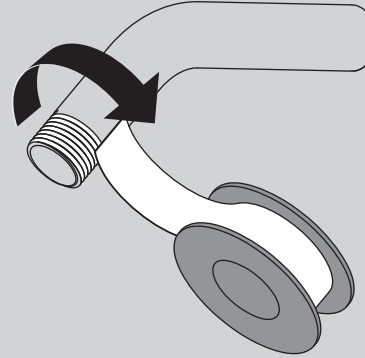
On CHROME PLATED BRACKETS, a two (2) part white vinegar, one (1) part water solution can be used to break down excessive mineral deposits. Let the bracket soak in the solution for about 1/2 hour then rinse thoroughly. Brush off any remaining mineral deposits if necessary.

DO NOT USE the vinegar/water treatment on any finish other than Chrome.

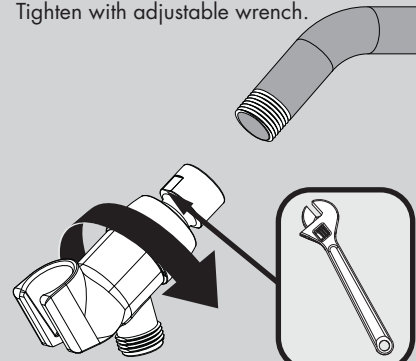
WARRANTY

Additional warranty information can be found at: www.speakman.com

- 1** Apply Thread Seal Tape to the outlet side of shower arm in a clockwise direction.

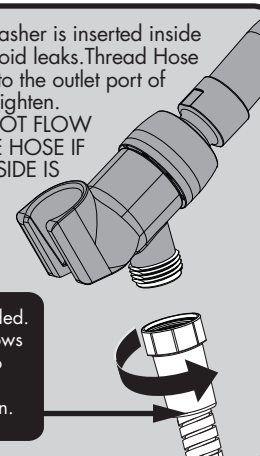


- 2** Thread Bracket onto shower arm by turning it in a clockwise direction. Tighten with adjustable wrench.



- 3** Ensure Hose Washer is inserted inside connector to avoid leaks. Thread Hose End with Label to the outlet port of Bracket. Hand tighten. **WATER WILL NOT FLOW THROUGH THE HOSE IF THE WRONG SIDE IS CONNECTED.**

Note: Hose not included. Label around hose shows "This end assembles to water supply" Remove label before installation.

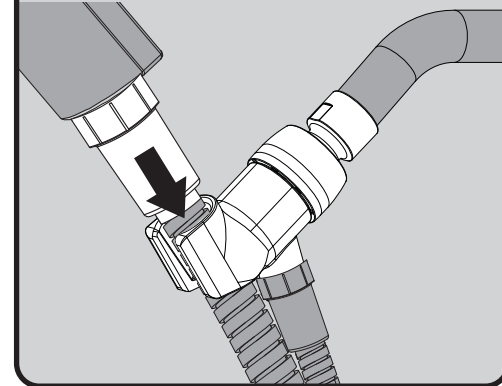


- 4** Ensure Hose Washer is inserted inside connector to avoid leaks. Thread remaining end of Hose to base of Hand Shower. Hand tighten.

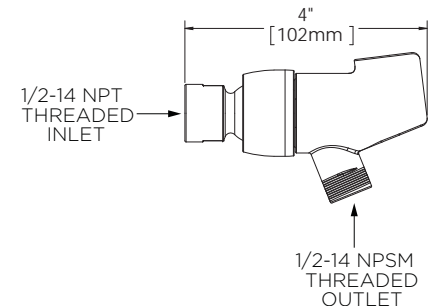
Note: Hand Shower and Hose are not included.



- 5** Place Hand Shower into Bracket. Turn on water supplies and check for leaks.



ROUGH IN DIMENSIONS



NEED HELP?

For additional assistance or service please contact:

SPEAKMAN® Company
400 Anchor Mill Road
New Castle, DE 19720

800-537-2107

customerservice@speakman.com

www.speakman.com

92-VS-130-01

INSTRUCTIONS FOR MODELS

VS-153-ADA -30 -36
VS-153-30-RT



NEED HELP?

For additional assistance or service please contact:

SPEAKMAN® Company
 400 Anchor Mill Road
 New Castle, DE 19720

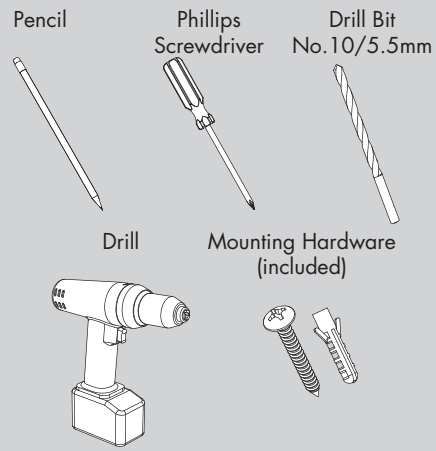
800-537-2107

customerservice@speakman.com

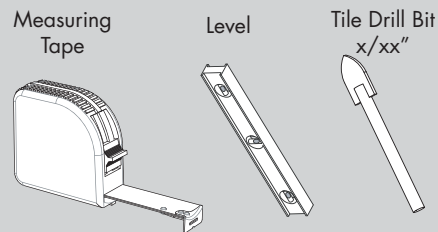
www.speakman.com

92-VS-153-ADA-02

TOOLS AND SUPPLIES



HELPFUL TOOLS & SUPPLIES:



IMPORTANT

- Meets the ANSI standard 250 lbs. pull-test for grab bars and ADA lever handle for adjusting slide bar.
- The VS-153-ADA Slide Bar meets ADA pull force requirements only. It is not intended to replace an ADA Grab Bar.
- Do not over-tighten any connections or damage may occur.
- Be sure to read instructions thoroughly before beginning installation.

SAFETY TIPS

- Cover your drain to prevent loss of parts. Be sure to follow all tool manufacturers safety guidelines.
- Use caution when drilling into walls to avoid electrical and plumbing lines hidden within the wall.

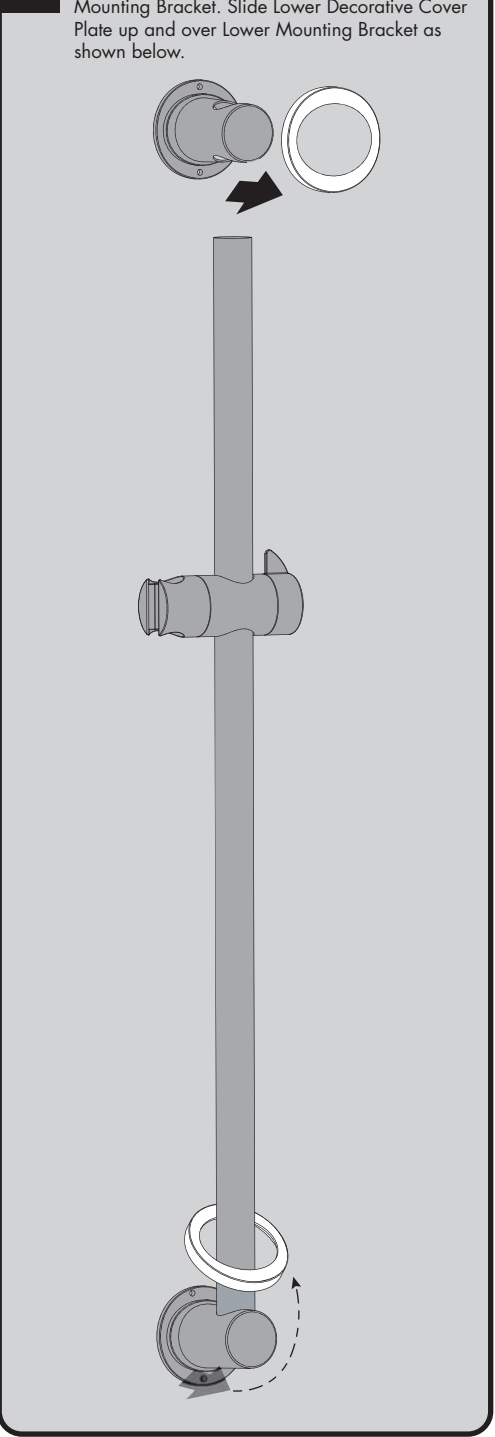
MAINTENANCE

Your new Speakman Product is designed for years of trouble-free performance. Keep it looking new by cleaning it periodically with a soft cloth. The use of harsh chemicals and abrasives on any of the Speakman custom finish products may damage the finish and void the product warranty. Please be sure to only use approved cleaners. Please contact Speakman for any clarification of acceptable cleaners.

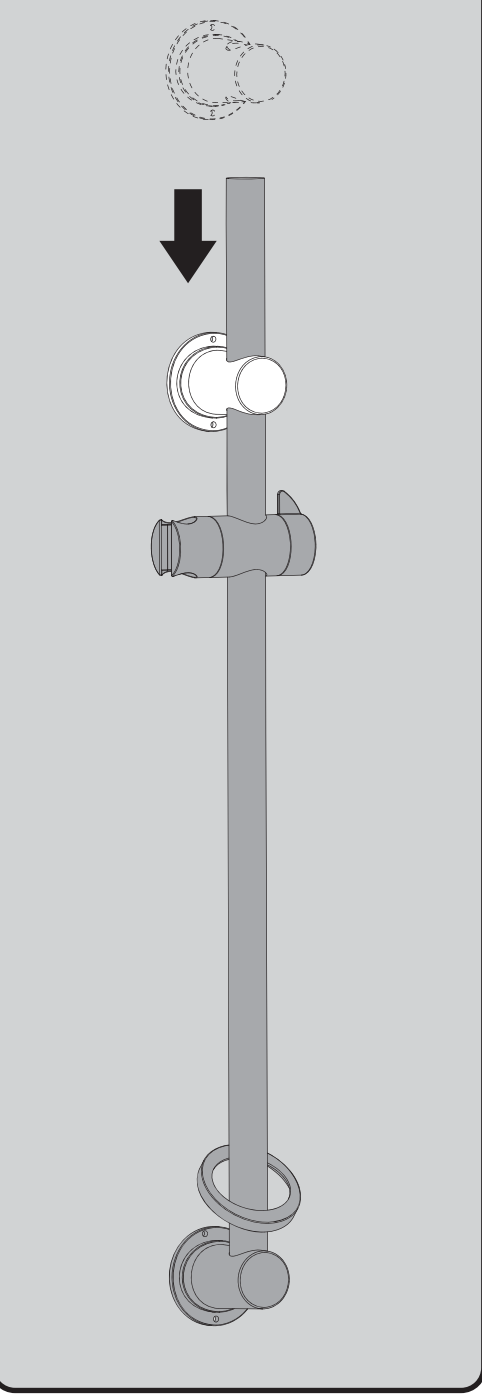
WARRANTY

Additional warranty information can be found at: www.speakman.com

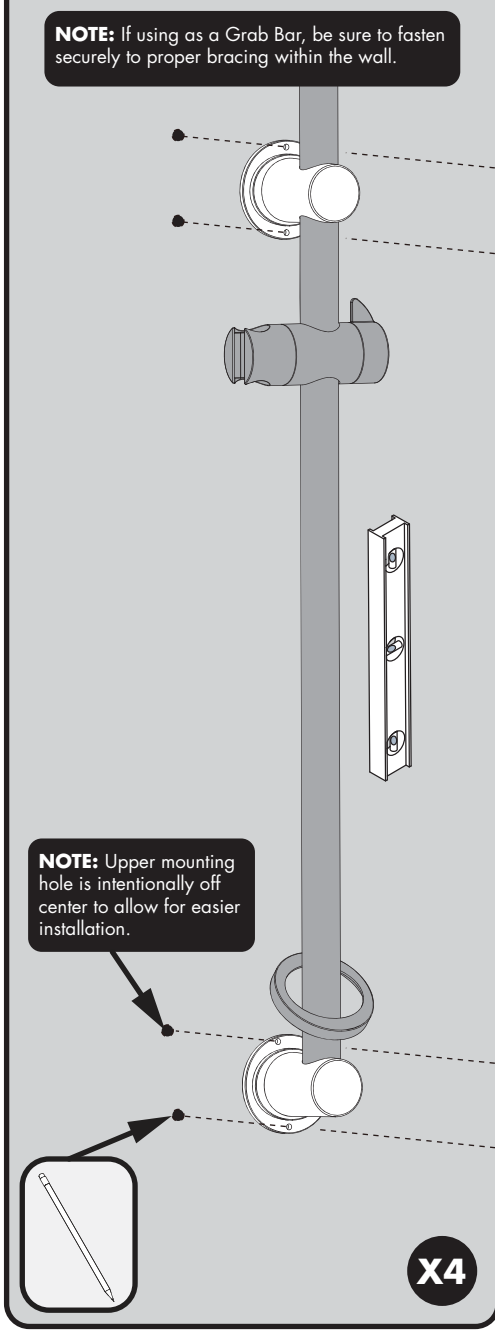
1 Remove Decorative Cover Plate from Upper Mounting Bracket. Slide Lower Decorative Cover Plate up and over Lower Mounting Bracket as shown below.



2 Position the Upper Mounting Bracket over the Slide Bar. Ensure the mounting location is within the usable range of the hand shower hose.



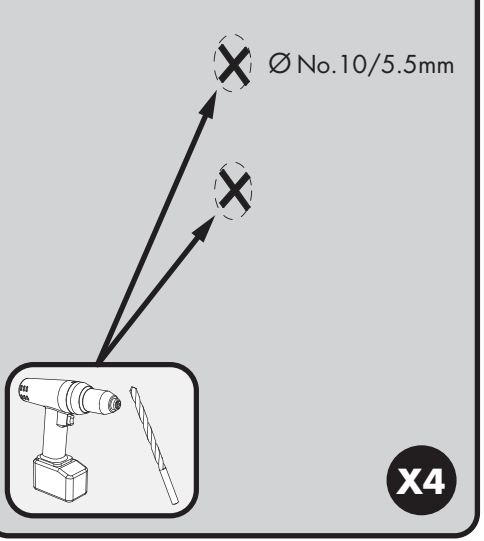
3 Hold the Slide Bar against the wall in the chosen location. Adjust the Upper Mounting Bracket height location. Using a pencil, mark the Drill Hole positions (x4) for the Upper and Lower Mounting Brackets. Ensure the Slide Bar is level vertically.



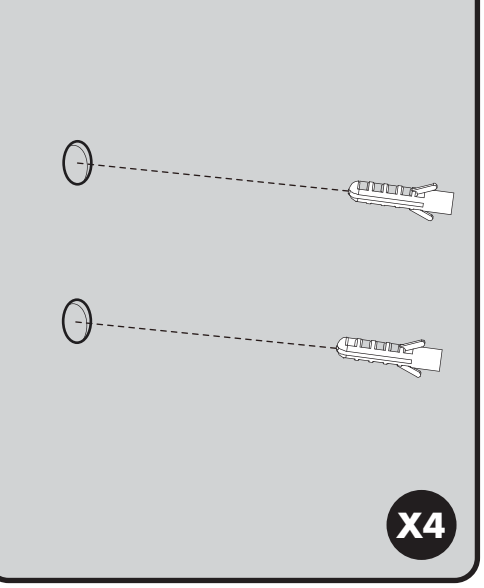
NOTE: If using as a Grab Bar, be sure to fasten securely to proper bracing within the wall.

NOTE: Upper mounting hole is intentionally off center to allow for easier installation.

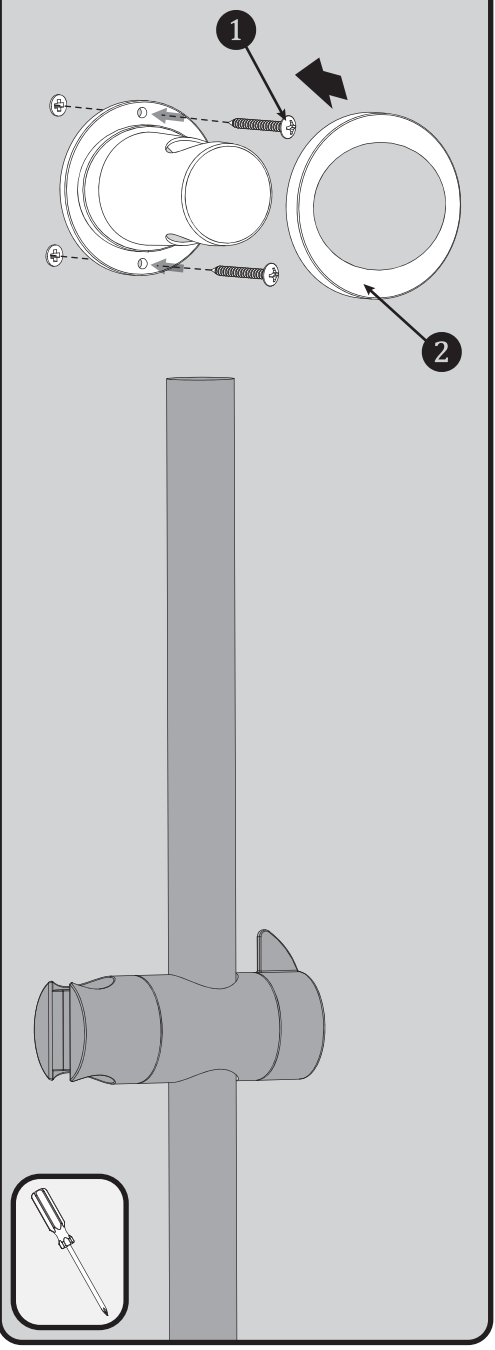
4 If mounting directly to wood stud or a wood stud behind drywall, proceed to Step 6. If mounting to tile or masonry wall, Drill holes (x4) in the marked locations using a No. 10 (0.1935 inches/5.5 mm) masonry drill bit to make a hole approximately 1 3/8 inches (35 mm) deep.



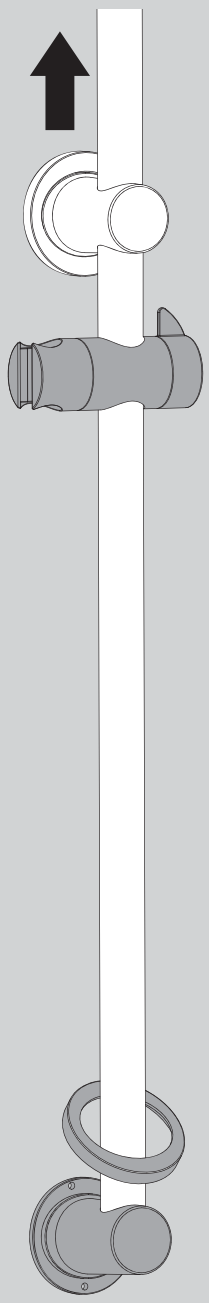
5 Push the Plastic Anchors (x4) into the drilled holes. Ensure the plastic anchors are flush with the wall. (Note: Plastic Anchors provided may not be suitable for all types of wall construction, seek professional help if in doubt).



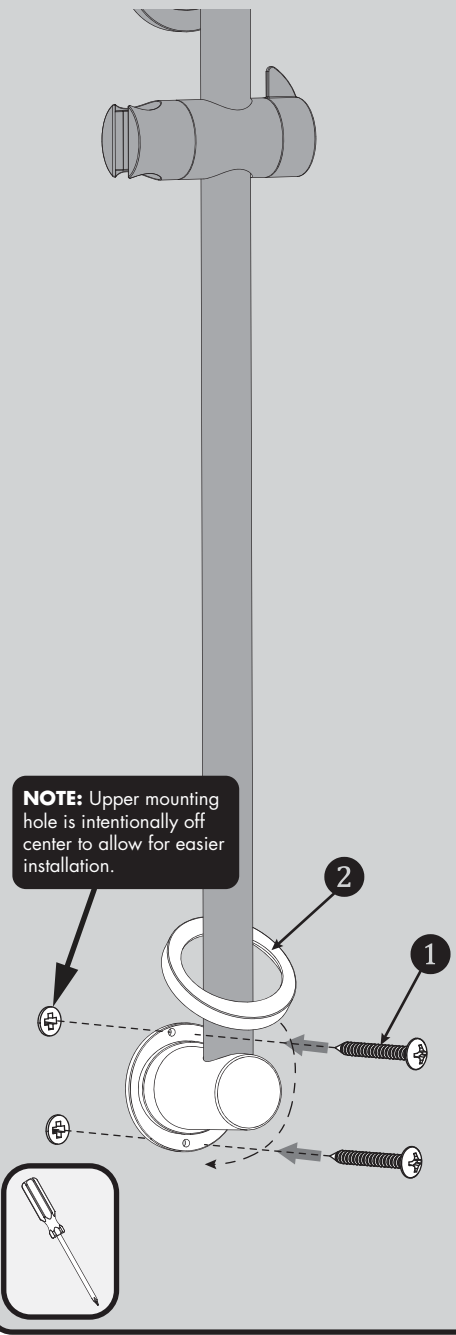
6 Remove Upper Mounting Bracket from Slide Bar. Secure Upper Mounting Bracket in place using the Mounting Screws provided (1) with a Phillips Screwdriver. Reinstall the Decorative Cover Plate (2) to the Upper Mounting Bracket.



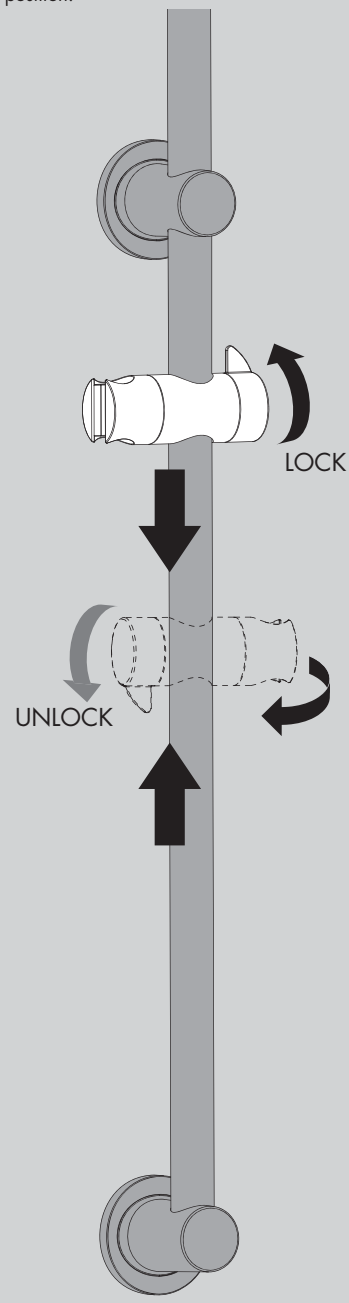
7 Position the Slide Bar flush against the mounting surface and push the Slide Bar through the hole in the Upper Mounting Bracket.



8 Secure the Lower Mounting Bracket (1) in place to the wall using the Mounting Screws provided with a Phillips Screwdriver. Reinstall the Lower Decorative Cover Plate (2) to the Lower Mounting Bracket.



9 Orient the Hand Held Shower Bracket to your desired position. Adjustments are made by rotating the Locking Handle 1/4 turn counter-clockwise to release the position, and 1/4 turn clockwise to lock into the desired position.



VS-153-ADA ROUGH-IN DIAGRAM

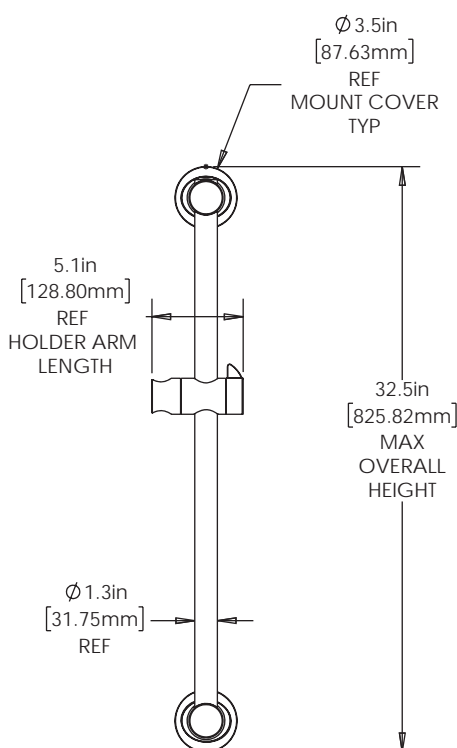
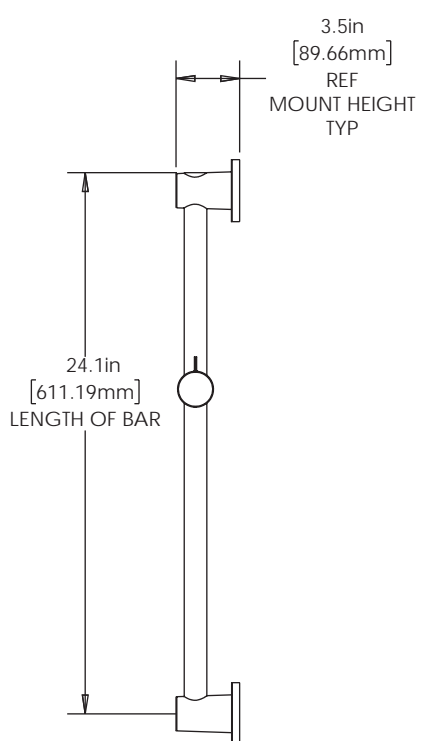
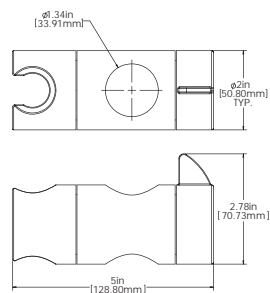


NOTES:

COMPLIANCE:

ADA COMPLIANT

- Meets the ANSI standard 250 lbs. pull-test for grab bars and ADA lever handle for adjusting slide bar.
- The VS-153-ADA Slide Bar meets ADA pull force requirements only. It is not intended to replace an ADA Grab Bar.



DIMENSIONS SUBJECT TO CHANGE WITHOUT NOTICE.

VS-153-ADA-30 / VS-153-30-RT ROUGH-IN DIAGRAM

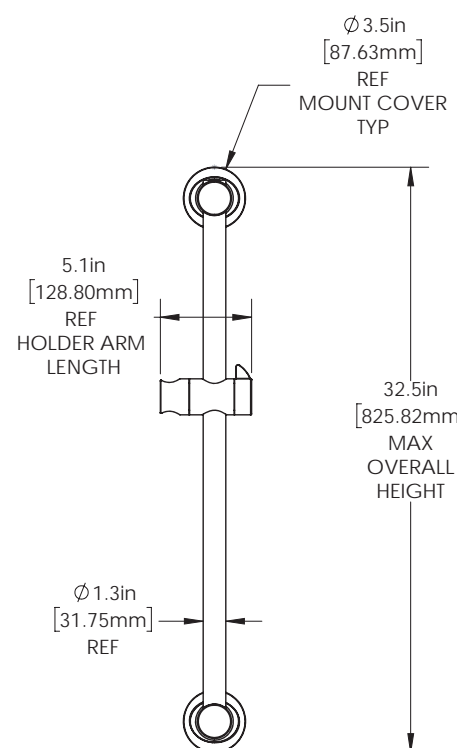
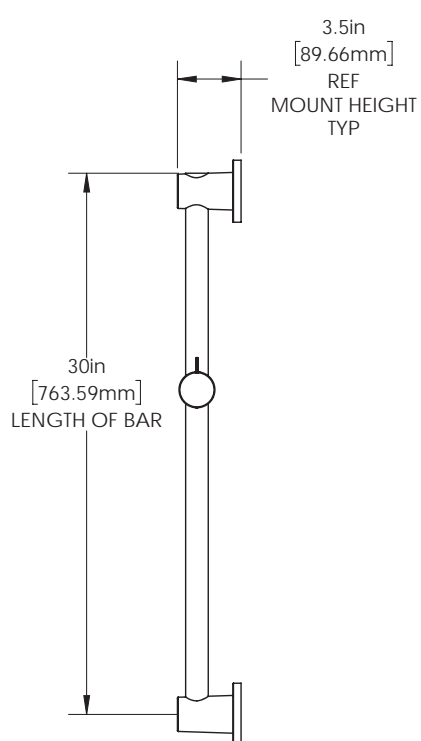
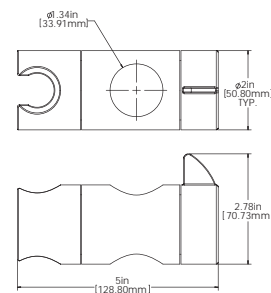


NOTES:

COMPLIANCE:

ADA COMPLIANT

- Meets the ANSI standard 250 lbs. pull-test for grab bars and ADA lever handle for adjusting slide bar.
- The VS-153-ADA Slide Bar meets ADA pull force requirements only. It is not intended to replace an ADA Grab Bar.



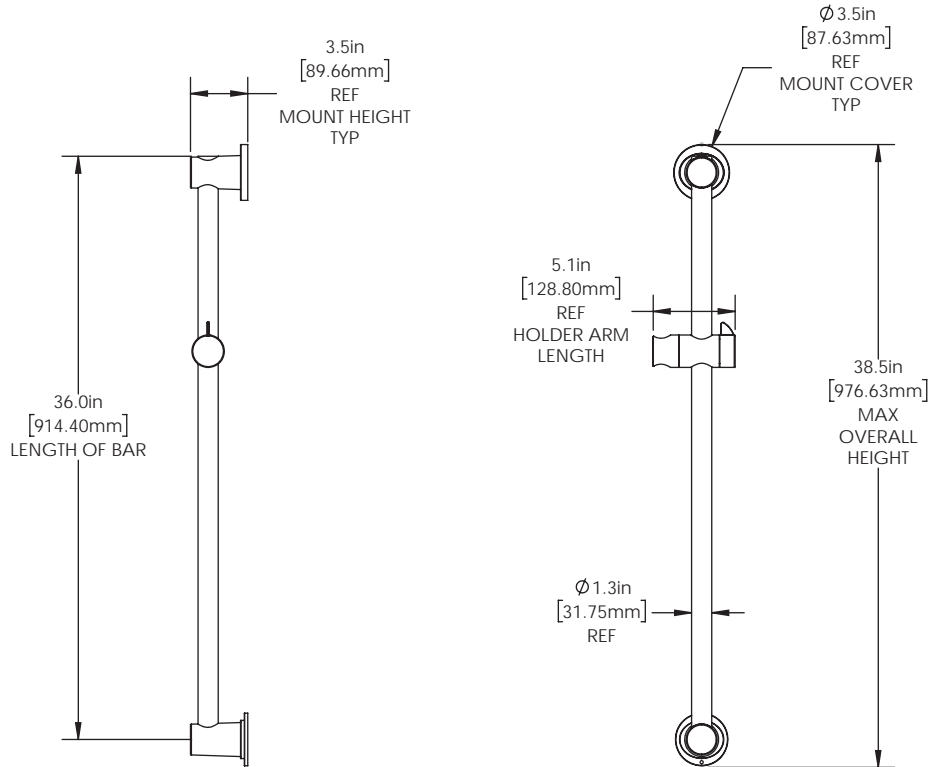
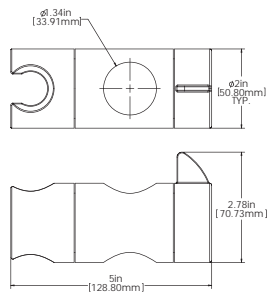
DIMENSIONS SUBJECT TO CHANGE WITHOUT NOTICE.

NOTES:

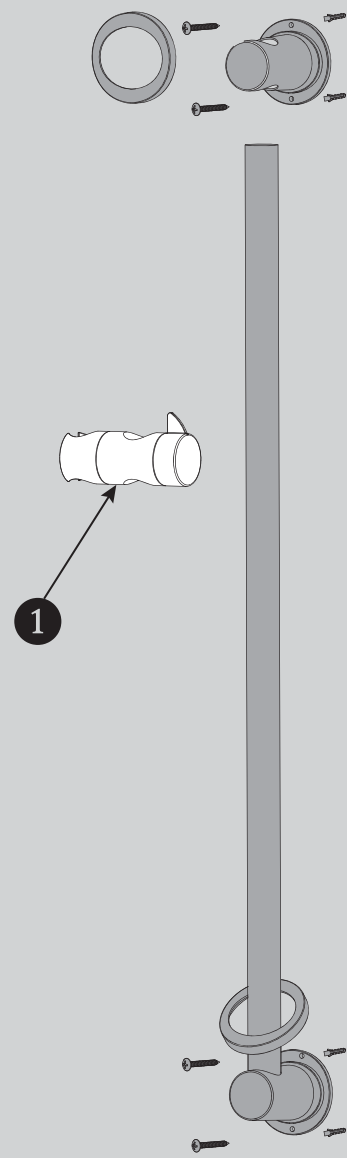
COMPLIANCE:

ADA COMPLIANT

- Meets the ANSI standard 250 lbs. pull-test for grab bars and ADA lever handle for adjusting slide bar.
- The VS-153-ADA Slide Bar meets ADA pull force requirements only. It is not intended to replace an ADA Grab Bar.



DIMENSIONS SUBJECT TO CHANGE WITHOUT NOTICE.



ITEM NO.	PART NO.	DESCRIPTION
1	RPG56-0038-XX *XX = FINISH	VS-153-ADA HOLDER REPAIR PART GROUP