



CONTEMPORARY HYDRATION

A131-VR Series

MODEL A131400S-VR-BF4

BARRIER FREE, VANDAL RESISTANT,
WALL MOUNTED DRINKING FOUNTAIN
WITH SEMI-RECESSED SENSOR OPERATED
BOTTLE FILLER

STANDARD FEATURES

- Child or Adult ADA Compliant (when properly installed)
- 18 gage, 304 Stainless Steel Basin and Flush Mounted Chrome Plated Brass Button
- Polished Stainless Steel, Vandal Resistant, Anti-Rotation Non-Squirt Bubbler
- 100-Mesh Inlet Strainer
- Mounting Frame
- Trim Panel
- 1 G.P.M. Fill Rate (Bottle Filler)
- Laminar Flow Water Supply (Bottle Filler)
- 115v Plug-In Transformer (Bottle Filler)

SUGGESTED SPECIFICATIONS

Model A131400S-VR-BF4 is a Vandal Resistant, Wall Mounted Drinking Fountain and Bottle Filler combination made from 18 gage, 304 stainless steel with a brushed finish. Unit shall be activated by Chrome Plated Brass Pushbutton using less than 5 pounds of force. Bottle filler activates using an infrared sensor. Bubbler shall be polished stainless steel with non-squirt feature and operates on a water pressure range of 20-105 psig. Unit shall have uniquely designed, two-piece contoured bowl with a P-trap integral to the unit. Fountain is certified to ANSI A117.1, NSF/ANSI 61, Section 9, Public Law 111-380 (NO-LEAD), and CHSC 116875. Fixture meets ADA, ADA Standing Person, and ADA Child requirements when mounted appropriately.



Model A131400S-VR-BF4 Shown
** U.S. DESIGN PATENT D545,607

"INDOOR USE ONLY"

MODEL:

(Must Specify)

FLEXIBLE BUBBLER (LOW FLOW)

- A131200F-VR-BF4 Bronze Finish
- A131300F-VR-BF4 Gold Finish (High Polish)
- A131400F-VR-BF4 Satin stainless Finish

LEAD-FREE STAINLESS STEEL BUBBLER

- A131200S-VR-BF4 Bronze Finish
- A131300S-VR-BF4 Gold Finish (High Polish)
- A131400S-VR-BF4 Satin stainless Finish (Shown)

OPTIONS

(additional costs may be incurred)

- BCD Bottle Counter Display (Bottle Filler)
- HP High polished stainless steel
- WF1 1500 gallon capacity, NSF 42+53, 1 micron lead reduction filter

Complies with the following standards:



Federal Public Law 111-380 (No Lead)



Member of U.S. Green Building Council



Recyclable Product



Water Conserving Product

WARNING: Cancer and Reproductive Harm - www.P65Warnings.ca.gov

MURDOCK MFG. • 15125 Proctor Avenue • City of Industry, CA 91746 USA
Phone 800-453-7465 or 626-333-2543 • Fax 626-855-4860 • www.murdockmfg.com

Member of MORRIS GROUP INTERNATIONAL

A131-VR-BF4

New: 09/26/19

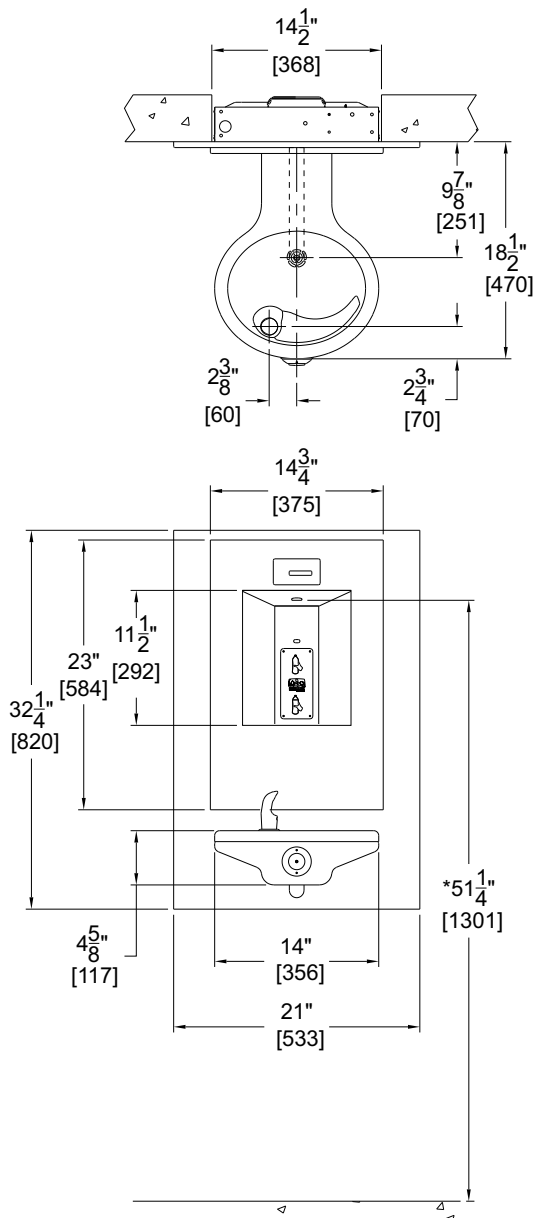


CONTEMPORARY HYDRATION

A131-VR Series

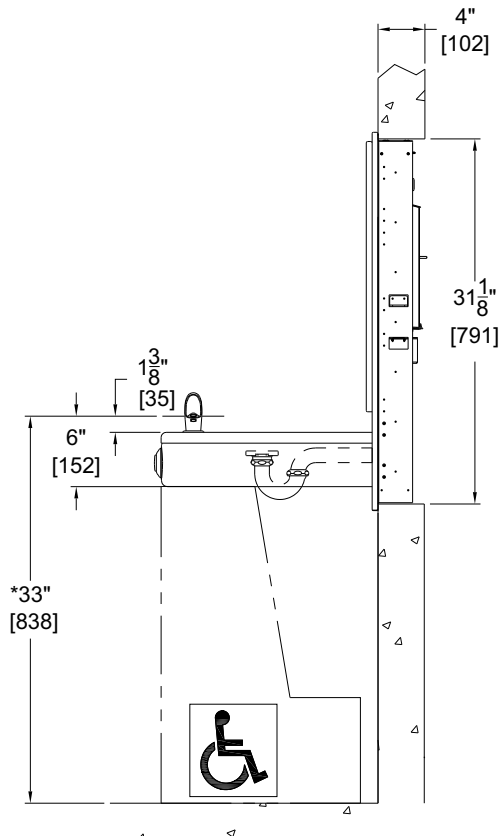
MODEL A131400S-VR-BF4

BARRIER FREE, VANDAL RESISTANT,
WALL MOUNTED DRINKING FOUNTAIN
WITH SEMI-RECESSED SENSOR OPERATED
BOTTLE FILLER



GENERAL NOTES:

1. ALL DIMENSIONS ARE IN INCHES [MM].
- *2. DIMENSIONS SHOWN ARE FOR RECOMMENDED ADULT HEIGHT. ADJUST VERTICAL DIMENSIONS AS NECESSARY TO COMPLY WITH FEDERAL, STATE, & LOCAL CODES.



Murdock Mfg.™ warrants that its products are free from defects in material or workmanship under normal use and service for a period of one year from date of shipment. Murdock's liability under this warranty shall be discharged solely by replacement or repair of defective material, provided Murdock™ is notified in writing within one year from date of shipment, F.O.B. Industry, California.

SELECTION SUMMARY & APPROVAL FOR MANUFACTURING

Model Number & Options _____ Quantity _____

Company _____

Contact _____ Title _____

Signature (Approval for Manufacturing) _____ Date _____

All dimensions are subject to manufactures tolerance of plus or minus 1/2" nominal and subject to change without notice. Murdock assumes no responsibility for use of void or superseded data. Dimensions may change with the addition of optional accessories. Murdock Mfg.™, Member of Morris Group International™. Please visit www.murdockmfg.com for most current specifications.

MURDOCK MFG. • 15125 Proctor Avenue • City of Industry, CA 91746 USA
Phone 800-453-7465 or 626-333-2543 • Fax 626-855-4860 • www.murdockmfg.com

Member of **MORRIS GROUP INTERNATIONAL**