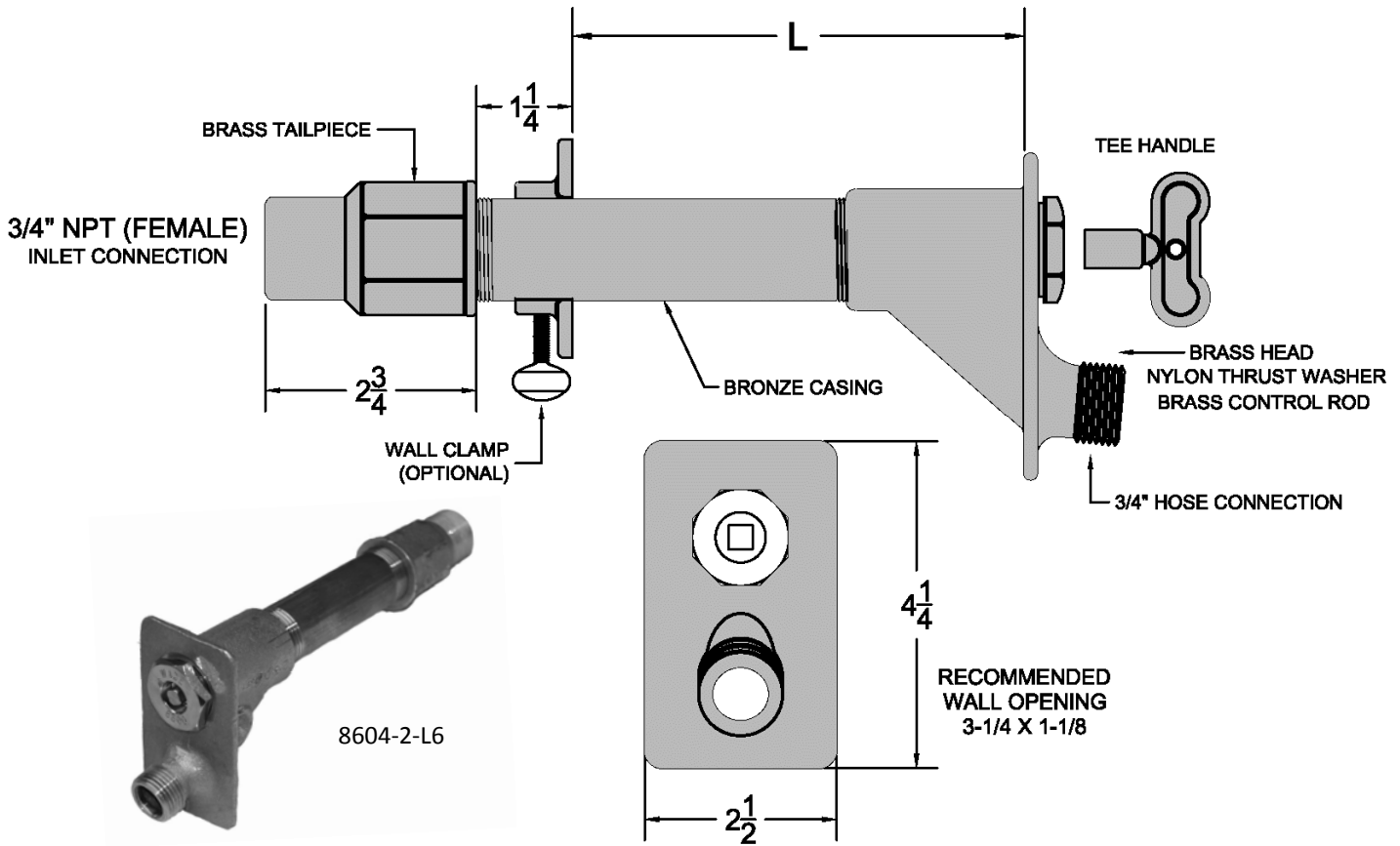


## 8604 Exposed, Non-Freeze Wall Hydrant

Project	Engineer	Mechanical
---------	----------	------------



**Regularly Furnished:** Non-Freeze wall hydrant with compression closure valve, bronze casing, 3/4" hose connection.

Wall Thickness	Box Material
	-2 Satin Finish Bronze
6"	
8"	
10"	
12"	
14"	
16"	
18"	
20"	
22"	
24"	

Suffix Options		
Suffix	Description	•
-HDR38	Replacement Rod	
-WK02	Repair Kit (Less Rod)	
-87	Wall Clamp	
-88	3/4" Solder Inlet*	
-89	Vacuum Breaker *	
-90	1" Hose Connection*	

**Maximum Working Pressure: 125 PSI**

\*Dimensions vary from illustration