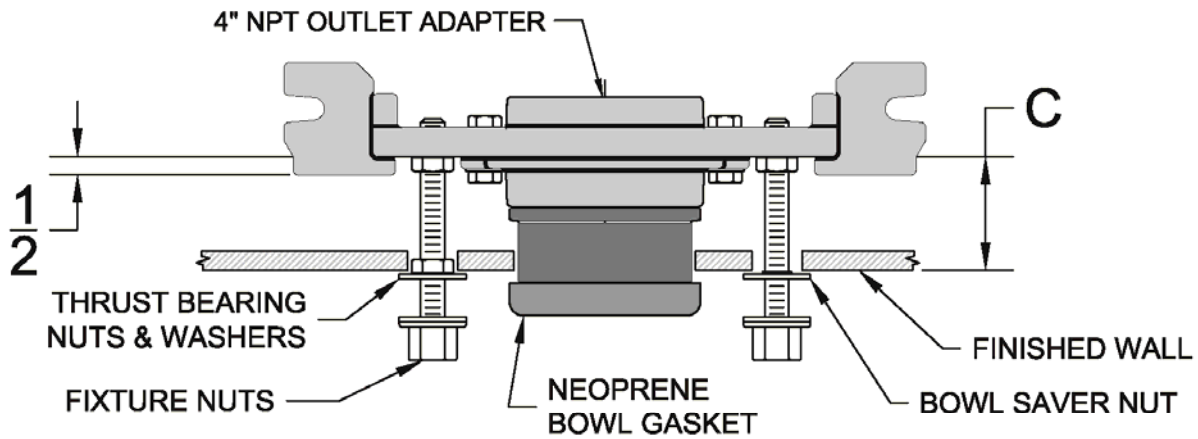
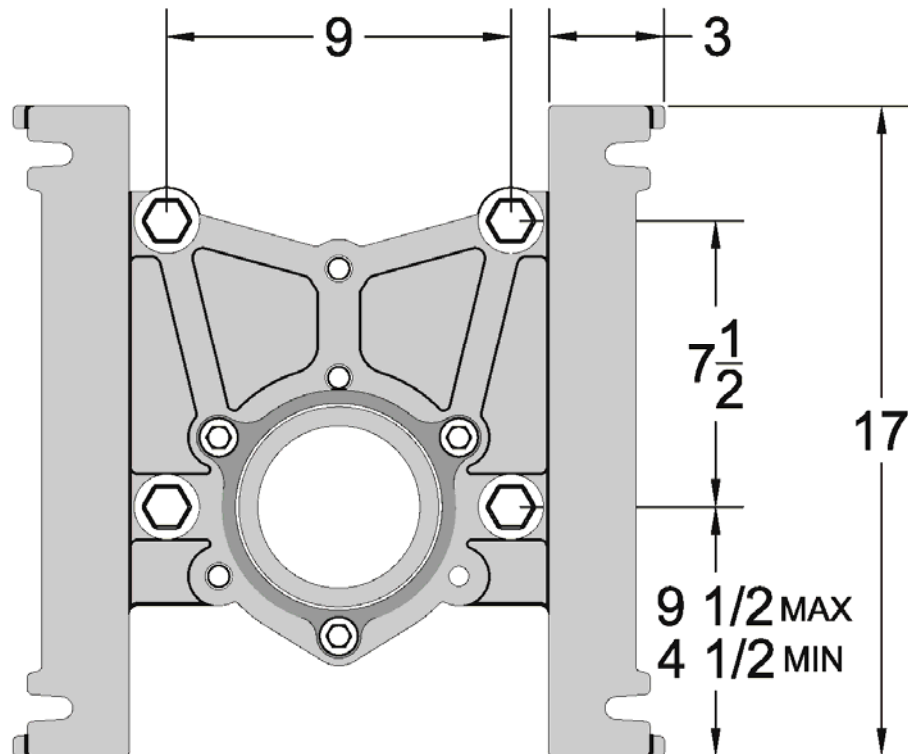


397 Closet Carrier Without Fitting

Project		Engineer		Mechanical	
---------	--	----------	--	------------	--



* 2" MINIMUM 'C' DIMENSION OBTAINABLE (CUT COUPLING)



Regularly Furnished: Cast iron closet carrier face plate with adjustable feet, 4" NPT waste connection adapter, ABS coupling, neoprene bowl gasket, chrome plated cap nuts and zinc plated hardware. Base must be securely anchored to concrete floor with 1/2" anchors (furnished by others) Rod support feet are provided and must be anchored to floor. Maximum 'C' Dimension is 6" with standard hardware. Longer couplings available when specified.

•	Model	Connection Type
	397	4" NPT Adapter

Suffix Options		
Suffix	Description	•
-ECC	Extending Coupling & Hardware (Per Inch)	
-M3	Vandal Proof Hardware	
-M26	Adjustable Cast Iron Closet Coupling	

**Dimensions vary from illustration*