

BOSS BAR™ Adjustable Sliding Bracket

SPECIFICATION

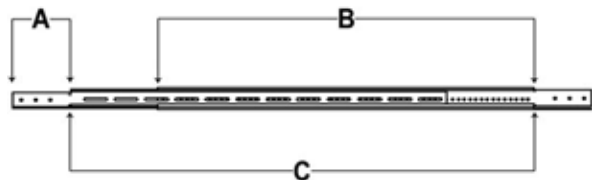
Our Boss Bar™ is a multipurpose, galvanized steel, adjustable sliding bracket designed to support all pipe types. In side-by-side testing, the unique triangular design of the Boss Bar™ easily surpasses similar brackets in strength.

DESIGN FEATURES

- Specially designed mounting ears allow attachment to wood, metal, steel or concrete
- Flexi-Fin™ and Acousto® pipe clamps easily attach with four self-tapping sheet metal screws that are included with each bracket

COMPLIANCES/LISTINGS

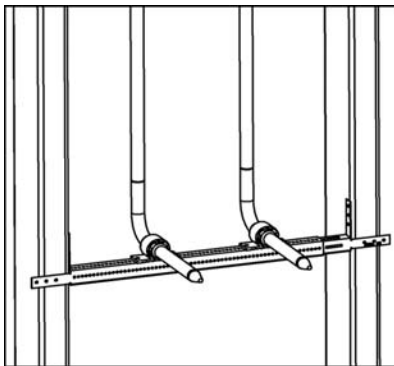
- IAPMO/UPC 2139



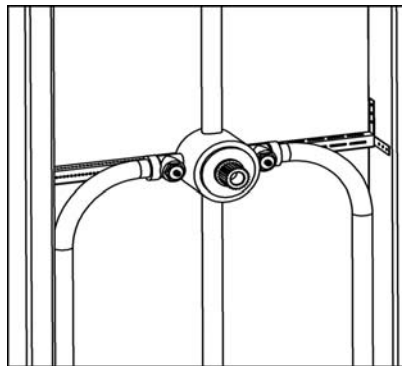
Part Number	Description		Description
P-1090	Adjustable Sliding Bracket, Adjusts from 10"-18"		50
P-1093	Adjustable Sliding Bracket, Adjusts from 13"-24"		50
Part Number	A	B*	C**
P-1090	2"	10"	18"
P-1093	2"	13"	24"

*Bracket's minimum length
**Bracket's maximum length

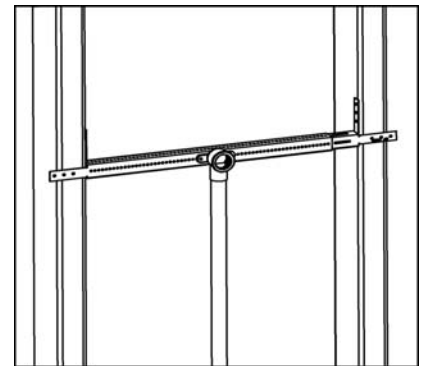
APPLICATIONS



Stub Out



Shower/Bath Valve



Drop Ear

Product Submittal	
Job Name:	Date:
Part Number:	Quantity:
Architect:	
Contractor:	

Content matter is subject to change at any time. It is the user's responsibility to ensure the most updated revisions are obtained. Rev A 2/2021