



BOTTLE FILLER

BF3 Series

SEMI-RECESSED PUSHBUTTON OPERATED BOTTLE FILLER

STANDARD FEATURES

- 100 mesh inlet strainer
- Laminar Flow Water Supply
- 1 G.P.M. Fill Rate
- Lead Free
- Hinged Door
- Key Latch
- Meets ADA Forward and Side Reach Requirements
- Ligature-Resistant Design
- Vandal-Resistant Design

SUGGESTED SPECIFICATIONS

Model A0000000-BF3 is Semi-Recessed and pushbutton operated bottle filler. Bottle Filler can be mounted in a 4" or larger wall space for simple installation virtually anywhere. Housing has a slim and trim look that blends into your environment. Unit also has a strong, ligature resistant, and vandal-resistant design for years of trouble-free service. When installed properly, the bottle filler complies with ADA forward and side reach requirements. Bottle filler is fabricated of type 304 stainless steel polished to a satin finish. Unit is certified to ANSI A117.1, Public Law 111-380 (NO-LEAD), CHSC 116875 and NSF/ANSI 61, Section 9.



Model BF3 Shown

"INDOOR USE ONLY"

MODEL:

(Must Specify)

- BF3 18 Gage 304 Stainless Steel

OPTIONS

(additional costs may be incurred)

- CG1 Custom Graphics
- EG Enviro-Glaze
Specify Color: _____
- WF1 1500 gallon capacity, NSF 42+53,
1 micron lead reduction water filter
- A9100080-A 8 GPH remote water chiller
(Recommended to be with 10 Feet of Fixture)

Complies with the following standards:



Member of U.S. Green Building Council



Recyclable Product



Water Conserving Product

WARNING: Cancer and Reproductive Harm - www.P65Warnings.ca.gov

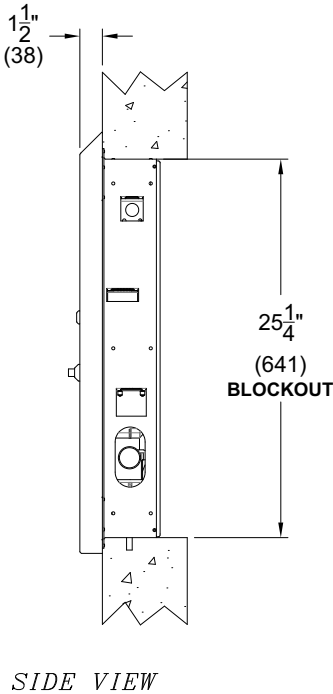
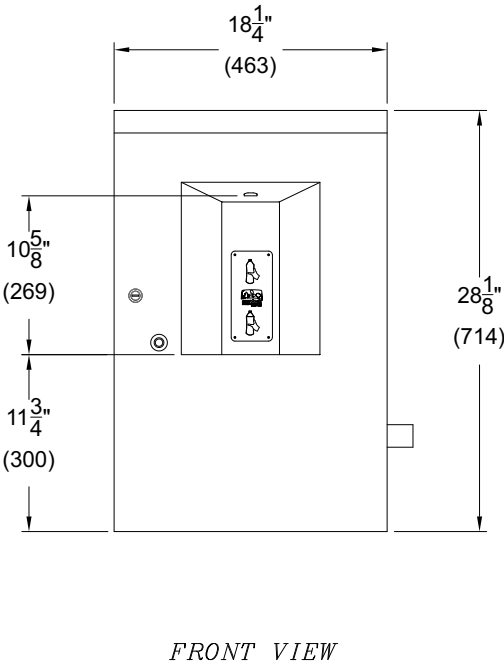
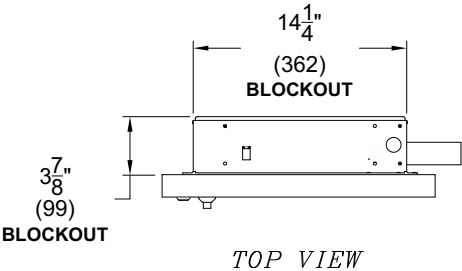
MURDOCK MFG. • 15125 Proctor Avenue • City of Industry, CA 91746 USA
Phone 800-453-7465 or 626-333-2543 • Fax 626-855-4860 • www.murdockmfg.com

Member of MORRIS GROUP INTERNATIONAL



BOTTLE FILLER

BF3 Series SEMI-RECESSED PUSHBUTTON OPERATED BOTTLE FILLER



GENERAL NOTES:
1. ALL DIMENSIONS ARE IN INCHES (MM).

Murdock Mfg.™ warrants that its products are free from defects in material or workmanship under normal use and service for a period of one year from date of shipment. Murdock's liability under this warranty shall be discharged solely by replacement or repair of defective material, provided Murdock™ is notified in writing within one year from date of shipment, F.O.B. Industry, California.

SELECTION SUMMARY & APPROVAL FOR MANUFACTURING	Model Number & Options _____	Quantity _____	All dimensions are subject to manufactures tolerance of plus or minus 1/2" nominal and subject to change without notice. Murdock assumes no responsibility for use of void or superseded data. Dimensions may change with the addition of optional accessories. Murdock Mfg.™, Member of Morris Group International™. Please visit www.murdockmfg.com for most current specifications.
	Company _____		
	Contact _____	Title _____	
	Signature (Approval for Manufacturing) _____	Date _____	