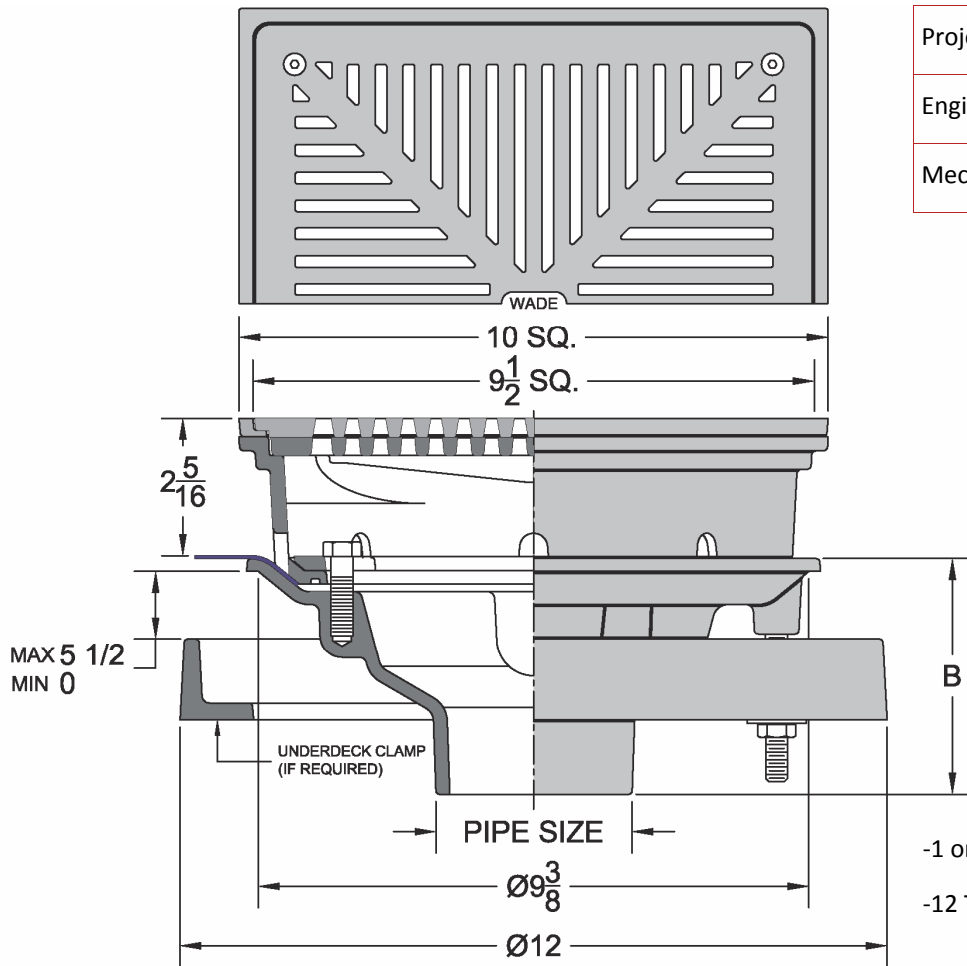


**3121-DCT 10" Square Promenade Deck Drain**

|            |  |
|------------|--|
| Project    |  |
| Engineer   |  |
| Mechanical |  |



- 1 or -2 Top / Light Duty (Under 2,000 Lb.)
- 12 Top / Heavy Duty (5,000-7,499 Lb.)

| Outlet | No-Hub | Push-On | Inside Caulk | Threaded |
|--------|--------|---------|--------------|----------|
| B      | 4      | 4-1/4   | 4-3/4        | 3-1/4    |

*\*Dimensions vary from illustration*

| 3121-DCT | -1   | -2  | -12                                  | Grate Free Area (Sq.In.) |
|----------|--|---|--------------------------------------|--------------------------|
| •        | Cast Iron Body with Satin Finish Nickel Bronze Top | Cast Iron Body with Satin Finish Bronze Top | Cast Iron Body with Ductile Iron Top | 29.0                     |

**Regularly Furnished:** Cast iron deck drain with flange, flashing ring, gravel stop, secured decorative grate, primary & secondary stainless steel, perforated filters.

| Suffix Options |  |   |
|----------------|--|---|
| Suffix         | Description  | • |
| -ARC           | Acid Resistant Coating   |   |
| -VP            | Vandal Proof Top Assembly  |   |
| -DFS           | Perforated Stainless Steel Extension (1"-4") *<br>For Each Additional 1" (Add / In.) |   |
| -HD            | Heavy Duty Underlayment (for -1 or -2)   |   |
| -8             | Secondary Strainer   |   |
| -39            | Galvanized Cast Iron   |   |
| -52            | Sump Receiver*   |   |
| -53            | Under-Deck Clamp*  |   |
| -189           | Bearing Pan With Hardware*   |   |

| Outlet Variations |                |   |
|-------------------|----------------|---|
| Type              | Designation    | • |
| No-Hub            | 2NH,3NH,4NH    |   |
|                   | 6NH            |   |
| Push-On Gasket    | 2TY,3TY,4TY    |   |
| Inside Caulk      | 2IC,3IC,4IC    |   |
| Threaded          | 2IPS,3IPS,4IPS |   |

| Optional Extensions |  |          |   |
|---------------------|--|----------|---|
| Suffix              | Description  |          | • |
| -DF                 | Fixed Extension (2" High)*<br>For Each Additional 1" (Add / In.) | Painted  |   |
|                     |  | -39 Galv |   |
| -EB                 | Adjustable Drain Extension Pan*                                  |          |   |